



Chipsmall Limited consists of a professional team with an average of over 10 year of expertise in the distribution of electronic components. Based in Hongkong, we have already established firm and mutual-benefit business relationships with customers from,Europe,America and south Asia,supplying obsolete and hard-to-find components to meet their specific needs.

With the principle of “Quality Parts,Customers Priority,Honest Operation,and Considerate Service”,our business mainly focus on the distribution of electronic components. Line cards we deal with include Microchip,ALPS,ROHM,Xilinx,Pulse,ON,Everlight and Freescale. Main products comprise IC,Modules,Potentiometer,IC Socket,Relay,Connector.Our parts cover such applications as commercial,industrial, and automotives areas.

We are looking forward to setting up business relationship with you and hope to provide you with the best service and solution. Let us make a better world for our industry!



Contact us

Tel: +86-755-8981 8866 Fax: +86-755-8427 6832

Email & Skype: info@chipsmall.com Web: www.chipsmall.com

Address: A1208, Overseas Decoration Building, #122 Zhenhua RD., Futian, Shenzhen, China



4

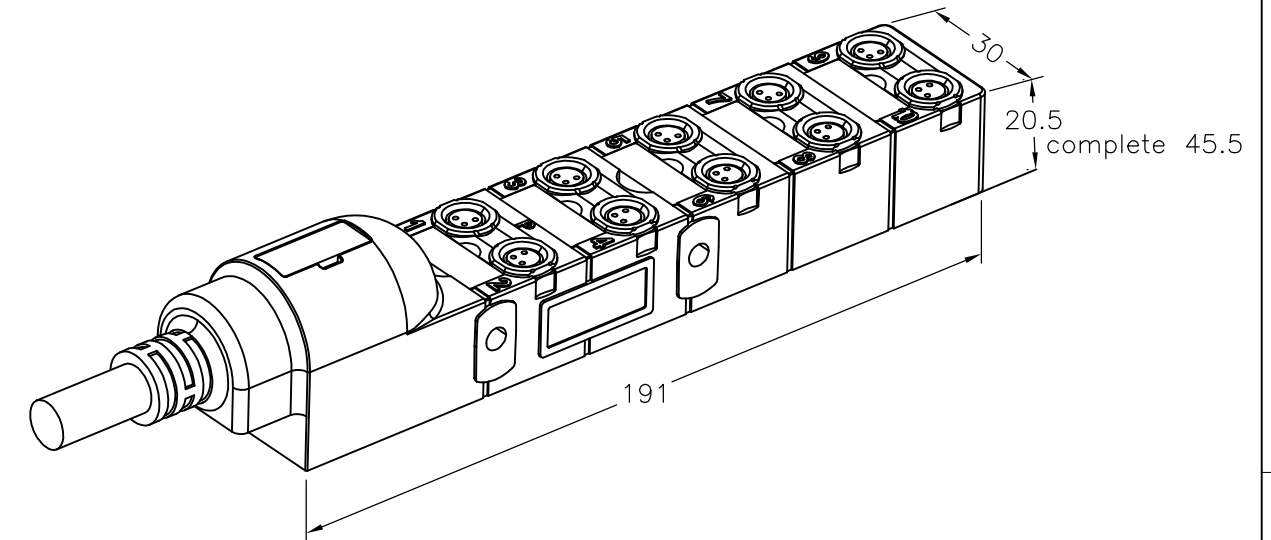
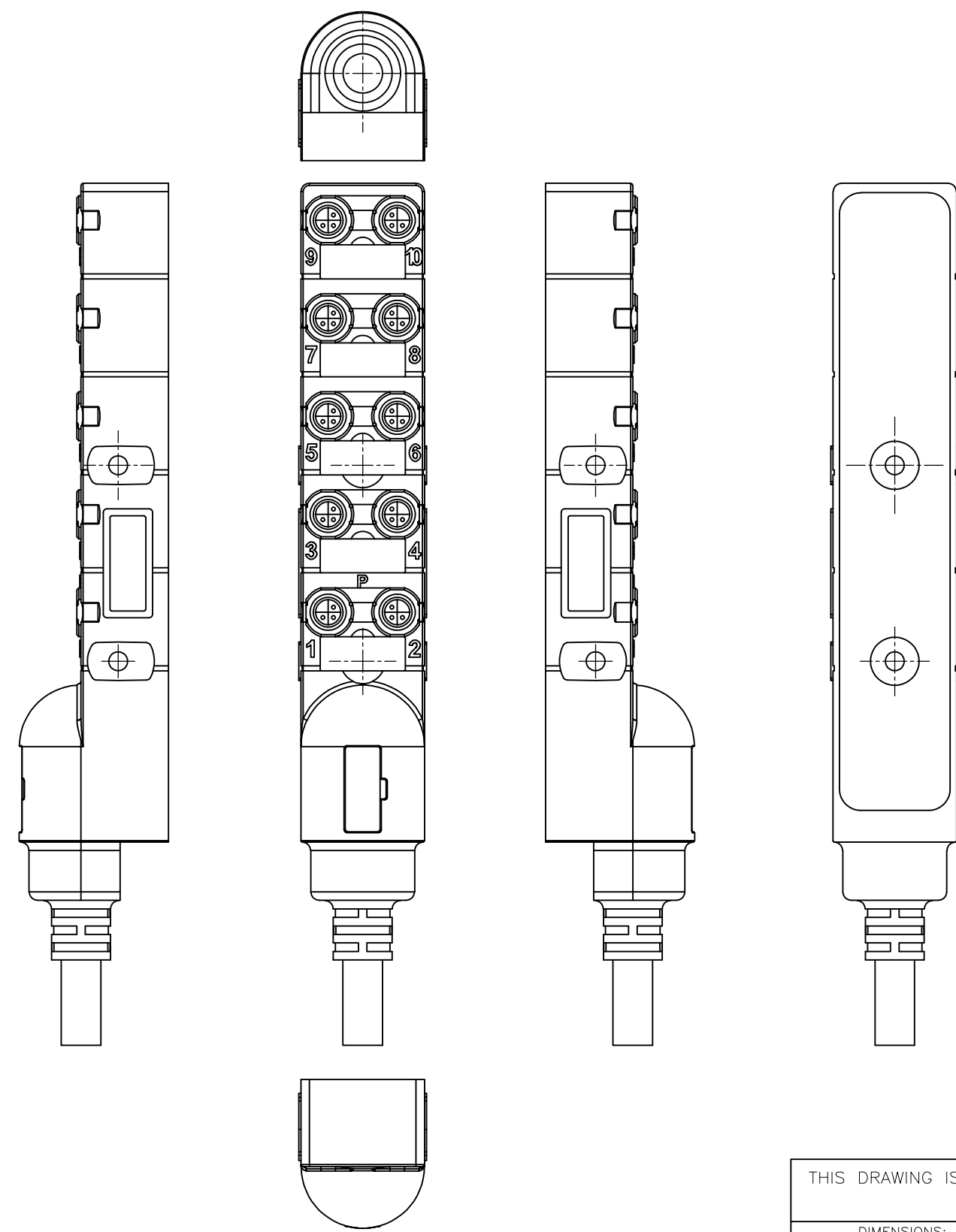
3

2


1

THIS DRAWING IS UNPUBLISHED. RELEASED FOR PUBLICATION
 © COPYRIGHT - By - ALL RIGHTS RESERVED.

LOC	DIST	REVISIONS					
		P	LTR	DESCRIPTION	DATE	DWN	APVD
H	-		A	INITIAL RELEASE	14JAN2014	GSK	BvH



PUR/PVC cable 10m	2-2273129-2
PUR/PVC cable 3m	2-2273129-1
PUR cable 15m	2273129-4
PUR cable 10m	2273129-3
PUR cable 5m	2273129-2
PUR cable 3m	2273129-1
DESCRIPTION	TE PN

THIS DRAWING IS A CONTROLLED DOCUMENT.		DWN	14JAN2014	 TE Connectivity		
		CHK	14JAN2014			
		SATHISH KUMAR .G		NAME		
		B.VELDHOVEN				
		A.VAN ZANDVOORT		DISTR BOX M8 3POS 10WAY PNP		
		APVD 14JAN2014				
		A.VAN ZANDVOORT		SIZE		
		PRODUCT SPEC				
		APPLICATION SPEC		CAGE CODE		
		WEIGHT				
		-		DRAWING NO		
		-				
		-		RESTRICTED TO		
		-				
		-		A3 00779 C-2273129		
		-				
		-		SCALE		
		-				
		-		SHEET		
		-				
		-		1 OF 2		
		-				
		-		REV		
		-				
		-		A		
		-				
		-		CUSTOMER DRAWING		
		-				
		-		SCALE		
		-				
		-		NTS		
		-				

4

3

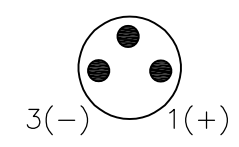
2

1

THIS DRAWING IS UNPUBLISHED. RELEASED FOR PUBLICATION
 © COPYRIGHT - By - ALL RIGHTS RESERVED.

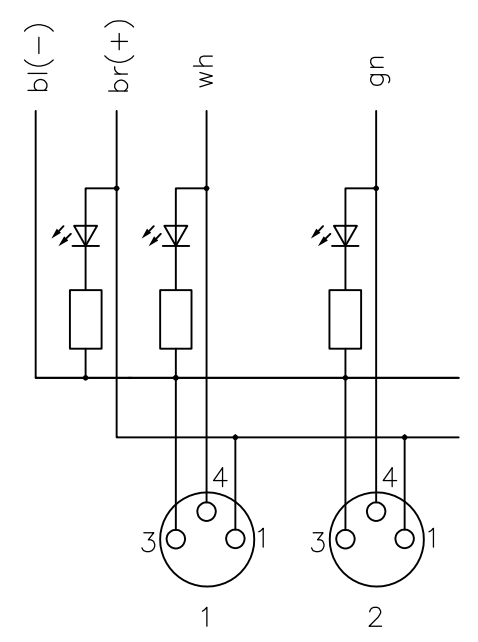
LOC	DIST	REVISIONS					
		P	LTR	DESCRIPTION	DATE	DWN	APVD
H	-	-	-	SEE SHEET 1	-	-	-

M8-Females 3-pole
4(N/O)

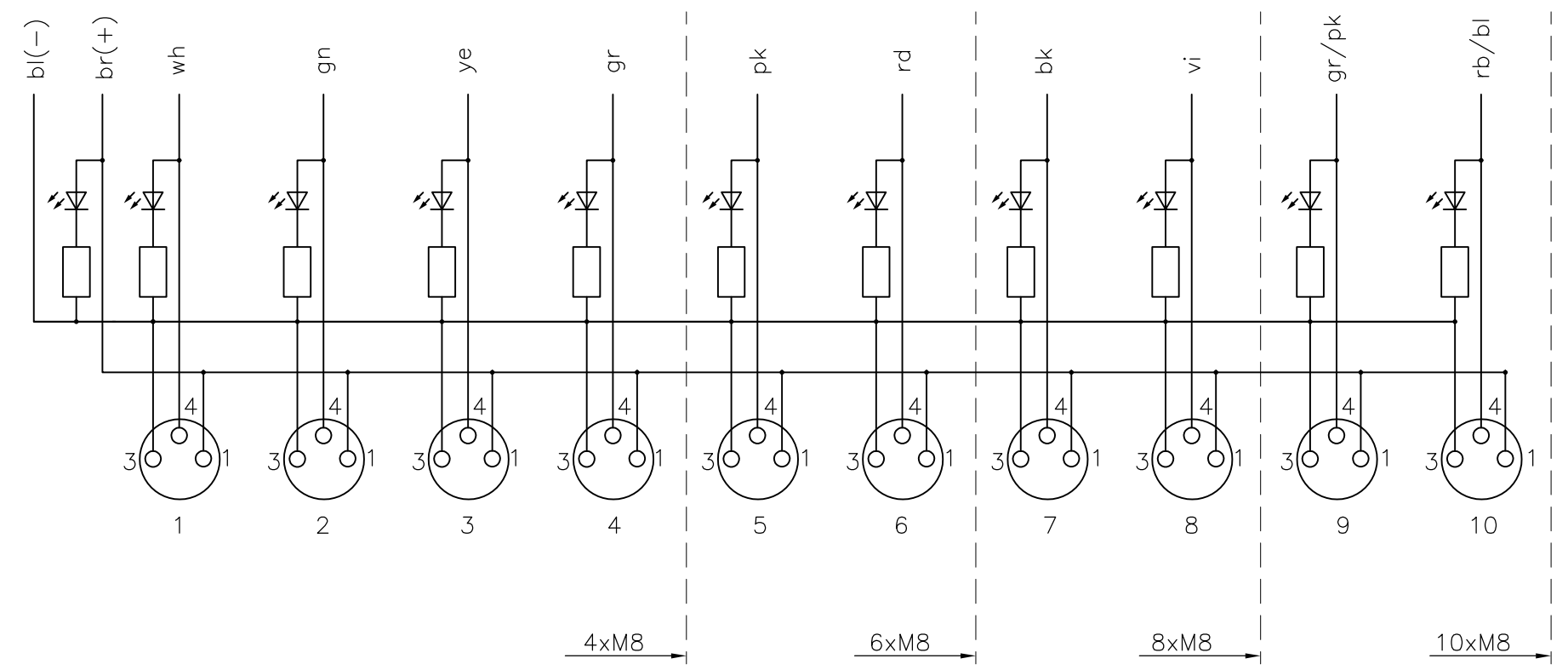


Contact Layout

Circuit diagram



for 1 Signal per port



THIS DRAWING IS A CONTROLLED DOCUMENT.		DWN 14JAN2014 SATHISH KUMAR .G	TE Connectivity	
DIMENSIONS: mm		CHK 14JAN2014 B.VELDHOVEN		
		APVD 14JAN2014 A.VAN ZANDVOORT	DISTR BOX M8 3POS 10WAY PNP	
TOLERANCES UNLESS OTHERWISE SPECIFIED:		PRODUCT SPEC	-	
0 PLC ± -		APPLICATION SPEC	-	
1 PLC ± -		WEIGHT	-	
2 PLC ± -		SIZE	CAGE CODE	DRAWING NO
3 PLC ± -		A3 00779		G-2273129
4 PLC ± -		CUSTOMER DRAWING		RESTRICTED TO
ANGLES ± -		SCALE		SHEET
MATERIAL		NTS		2 OF 2
FINISH		REV		A