



Chipsmall Limited consists of a professional team with an average of over 10 year of expertise in the distribution of electronic components. Based in Hongkong, we have already established firm and mutual-benefit business relationships with customers from,Europe,America and south Asia,supplying obsolete and hard-to-find components to meet their specific needs.

With the principle of “Quality Parts,Customers Priority,Honest Operation,and Considerate Service”,our business mainly focus on the distribution of electronic components. Line cards we deal with include Microchip,ALPS,ROHM,Xilinx,Pulse,ON,Everlight and Freescale. Main products comprise IC,Modules,Potentiometer,IC Socket,Relay,Connector.Our parts cover such applications as commercial,industrial, and automotives areas.

We are looking forward to setting up business relationship with you and hope to provide you with the best service and solution. Let us make a better world for our industry!



Contact us

Tel: +86-755-8981 8866 Fax: +86-755-8427 6832

Email & Skype: info@chipsmall.com Web: www.chipsmall.com

Address: A1208, Overseas Decoration Building, #122 Zhenhua RD., Futian, Shenzhen, China



4

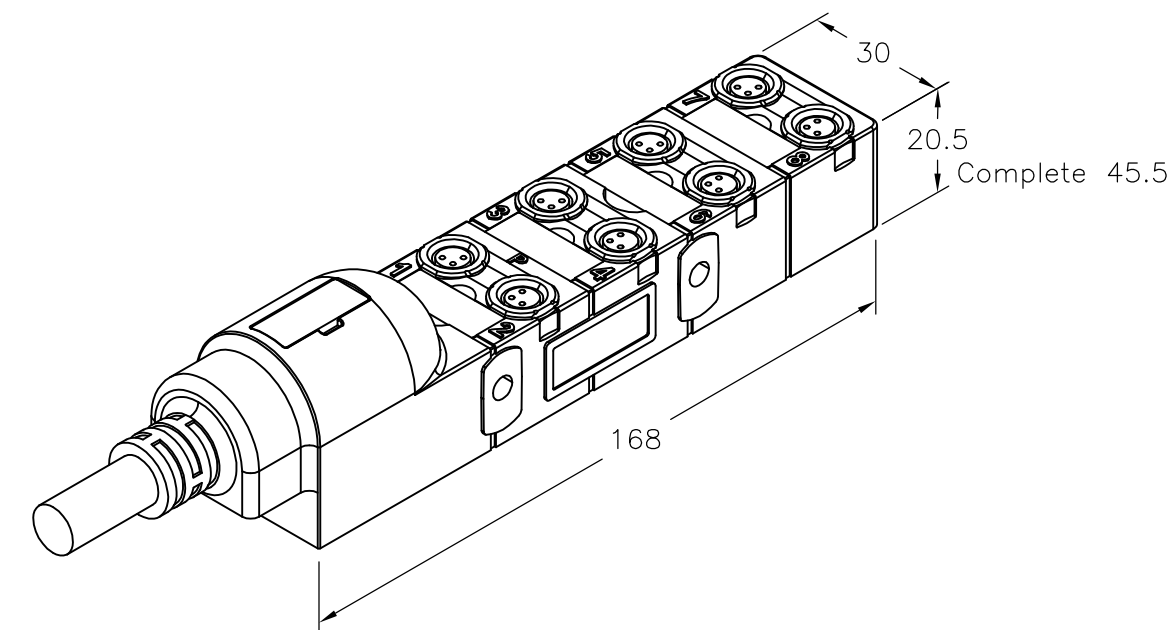
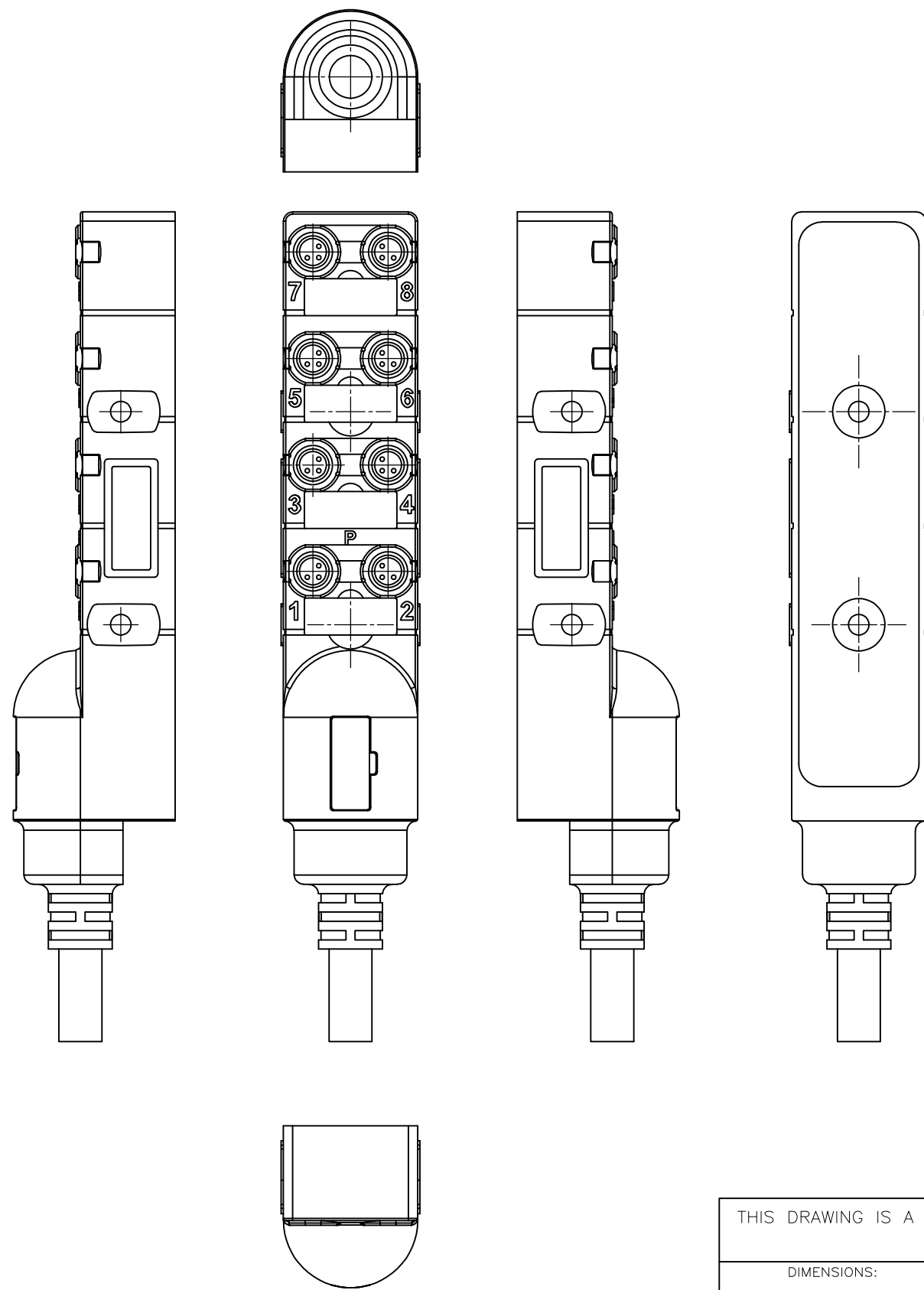
3

2


1

THIS DRAWING IS UNPUBLISHED. RELEASED FOR PUBLICATION
 © COPYRIGHT - By - ALL RIGHTS RESERVED.

LOC	DIST	REVISIONS			
P	LTR	DESCRIPTION	DATE	DWN	APVD
	A	INITIAL RELEASE	14JAN2014	GSK	BvH



PUR cable 15m	1-2273142-4
PUR cable 10m	1-2273142-3
PUR cable 5m	1-2273142-2
PUR cable 3m	1-2273142-1
PUR/PVC cable 10m	2273142-3
PUR/PVC cable 5m	2273142-2
PUR/PVC cable 3m	2273142-1
DESCRIPTION	TE PN

THIS DRAWING IS A CONTROLLED DOCUMENT.		DWN 14JAN2014 SATHISH KUMAR.G	 TE Connectivity													
DIMENSIONS: mm		CHK 14JAN2014 B.VELDHOVEN														
TOLERANCES UNLESS OTHERWISE SPECIFIED:		APVD 14JAN2014 A.VAN ZANDVOORT	NAME DISTR BOX M8 3POS 8WAY PNP													
<table border="0"> <tr> <td>0 PLC</td> <td>± -</td> </tr> <tr> <td>1 PLC</td> <td>± -</td> </tr> <tr> <td>2 PLC</td> <td>± -</td> </tr> <tr> <td>3 PLC</td> <td>± -</td> </tr> <tr> <td>4 PLC</td> <td>± -</td> </tr> <tr> <td>ANGLES</td> <td>± -</td> </tr> </table>		0 PLC	± -	1 PLC	± -	2 PLC	± -	3 PLC	± -	4 PLC	± -	ANGLES	± -	PRODUCT SPEC -	-	
0 PLC	± -															
1 PLC	± -															
2 PLC	± -															
3 PLC	± -															
4 PLC	± -															
ANGLES	± -															
MATERIAL -		FINISH -	APPLICATION SPEC -	-												
		WEIGHT -	SIZE A3	CAGE CODE 00779	DRAWING NO C-2273142											
CUSTOMER DRAWING			RESTRICTED TO -	SCALE NTS	SHEET 1 OF 2											
			REV A													

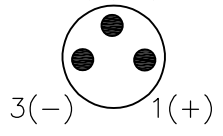
THIS DRAWING IS UNPUBLISHED. RELEASED FOR PUBLICATION
 © COPYRIGHT - By - ALL RIGHTS RESERVED.

LOC	DIST	REVISIONS					
		P	LTR	DESCRIPTION	DATE	DWN	APVD
H	-	-	-	SEE SHEET 1	-	-	-

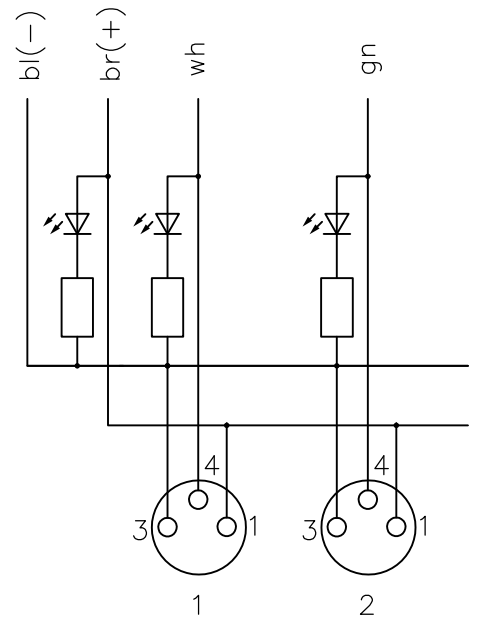
Contact Layout

M8-Females 3-pole

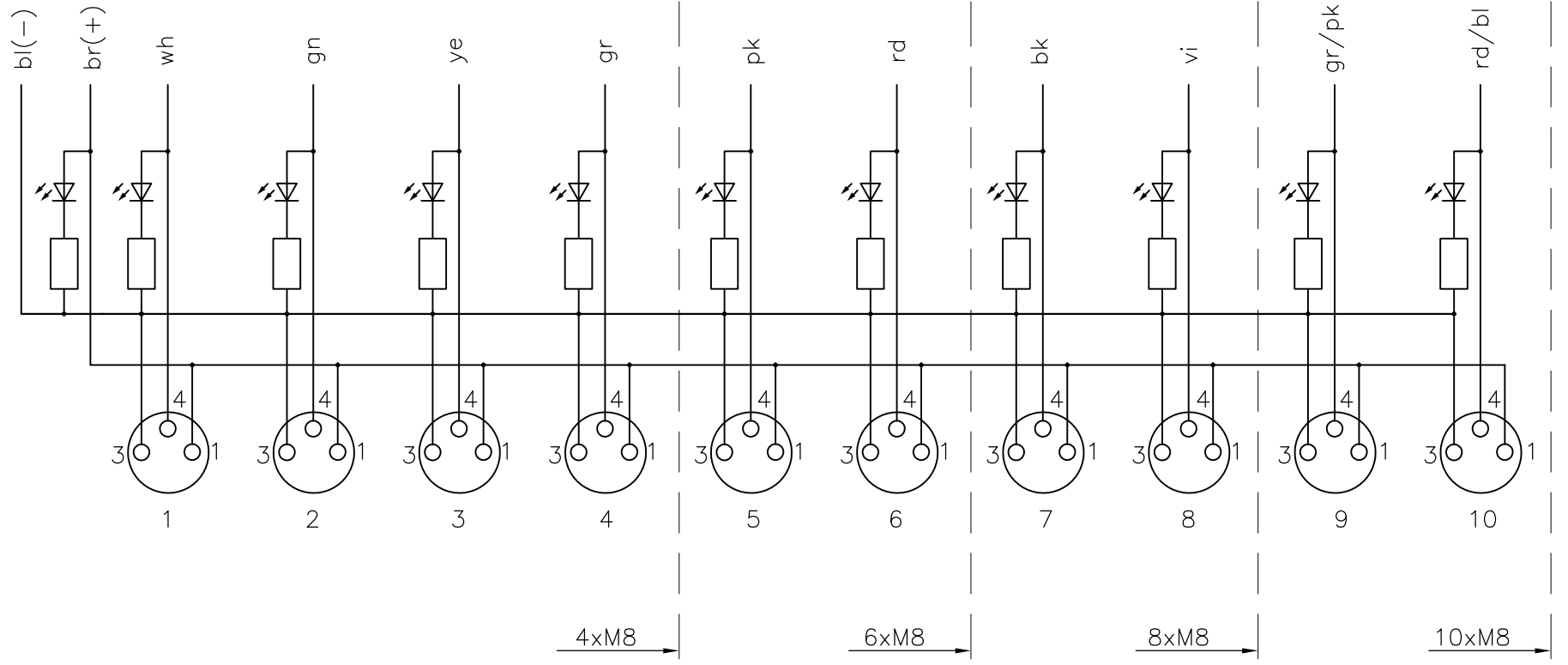
4(N/O)



Circuit diagram



for 1 Signal per port



THIS DRAWING IS A CONTROLLED DOCUMENT.		DWN 14JAN2014 SATHISH KUMAR.G	TE Connectivity	
DIMENSIONS: mm		CHK 14JAN2014 B.VELDHOVEN		
TOLERANCES UNLESS OTHERWISE SPECIFIED:		APVD 14JAN2014 A.VAN ZANDVOORT	NAME DISTR BOX M8 3POS 8WAY PNP	
		PRODUCT SPEC	RESTRICTED TO	
MATERIAL		APPLICATION SPEC	SIZE A3	CAGE CODE 00779
FINISH		WEIGHT	DRAWING NO C-2273142	SCALE NTS
		CUSTOMER DRAWING		SHEET 2 OF 2
				REV A