



Chipsmall Limited consists of a professional team with an average of over 10 year of expertise in the distribution of electronic components. Based in Hongkong, we have already established firm and mutual-benefit business relationships with customers from,Europe,America and south Asia,supplying obsolete and hard-to-find components to meet their specific needs.

With the principle of “Quality Parts,Customers Priority,Honest Operation,and Considerate Service”,our business mainly focus on the distribution of electronic components. Line cards we deal with include Microchip,ALPS,ROHM,Xilinx,Pulse,ON,Everlight and Freescale. Main products comprise IC,Modules,Potentiometer,IC Socket,Relay,Connector.Our parts cover such applications as commercial,industrial, and automotives areas.

We are looking forward to setting up business relationship with you and hope to provide you with the best service and solution. Let us make a better world for our industry!



Contact us

Tel: +86-755-8981 8866 Fax: +86-755-8427 6832

Email & Skype: info@chipsmall.com Web: www.chipsmall.com

Address: A1208, Overseas Decoration Building, #122 Zhenhua RD., Futian, Shenzhen, China



THIS DRAWING IS UNPUBLISHED.

RELEASED FOR PUBLICATION

ALL RIGHTS RESERVED.

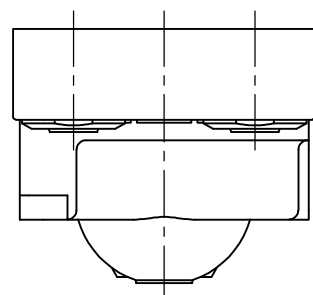
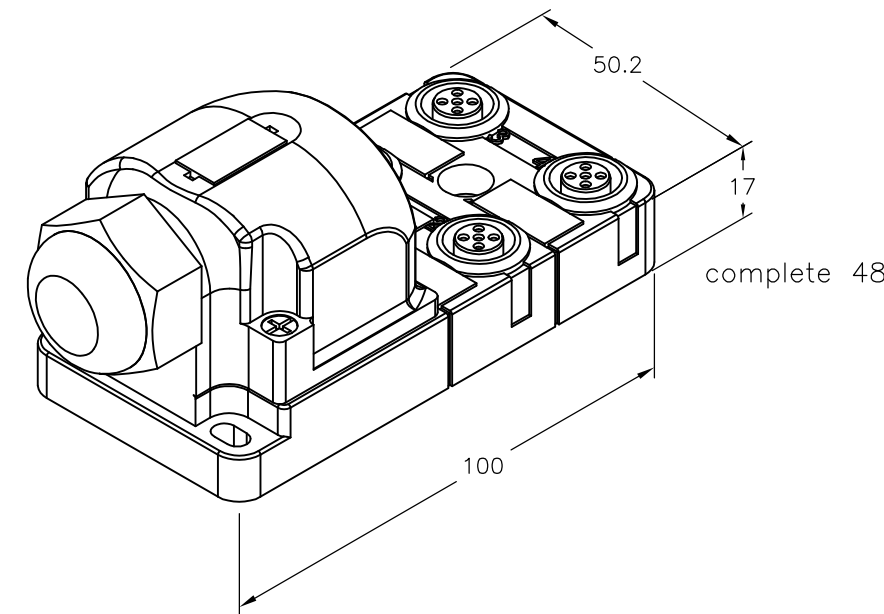
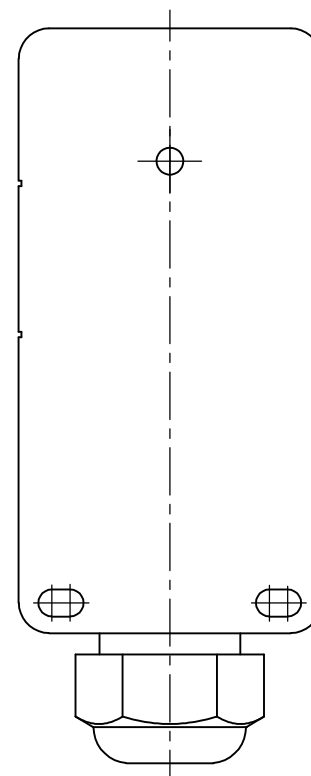
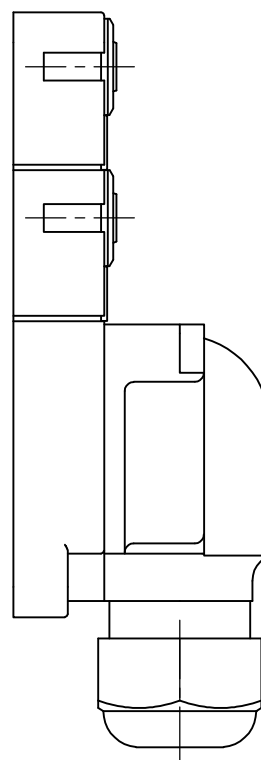
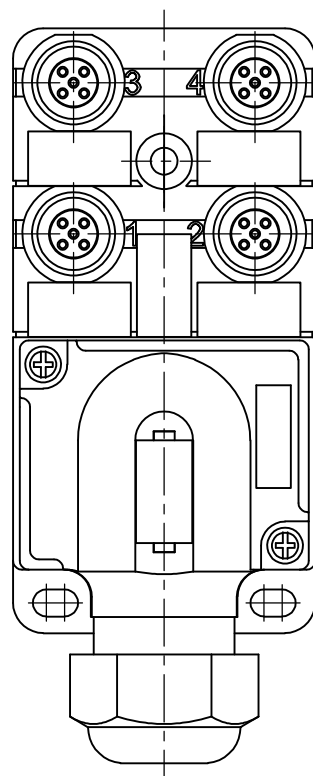
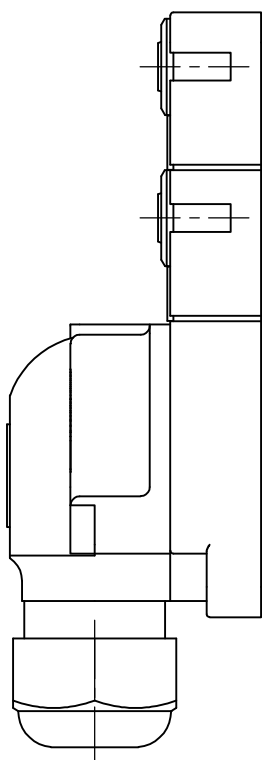
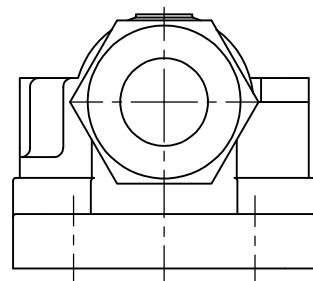
© COPYRIGHT - By -

LOC


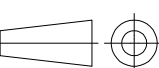
DIST

REVISIONS

| P | LTR | DESCRIPTION | DATE | DWN | APVD |
|---|-----|-----------------|-----------|-----|------|
| | A | INITIAL RELEASE | 16JAN2014 | GSK | BvH |



| | |
|---------------|-----------|
| With Plug Cap | 2273151-1 |
| DESCRIPTION | TE PN |

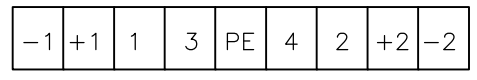
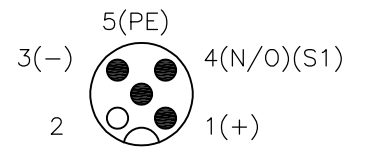
| | | | | | |
|---|--|-----------------------------------|--|--------------------|-------------------------|
| THIS DRAWING IS A CONTROLLED DOCUMENT. | | DWN 16JAN2014 SATHISH KUMAR .G |  TE Connectivity | | |
| DIMENSIONS: mm | | CHK 16JAN2014 B.VELDHOVEN | | | |
| TOLERANCES UNLESS OTHERWISE SPECIFIED: | | APVD 16JAN2014 A.VAN ZANDVOORT | NAME DISTR BOX M12 4POS 4WAY PNP | | |
|  | | PRODUCT SPEC - | - | | |
| MATERIAL - | | FINISH - | APPLICATION SPEC - | - | |
| | | WEIGHT - | SIZE A3 | CAGE CODE 00779 | DRAWING NO C-2273151 |
| CUSTOMER DRAWING | | | RESTRICTED TO - | SCALE NTS | SHEET 1 OF 2 |
| | | | REV A | | |

THIS DRAWING IS UNPUBLISHED. RELEASED FOR PUBLICATION
 © COPYRIGHT - By - ALL RIGHTS RESERVED.

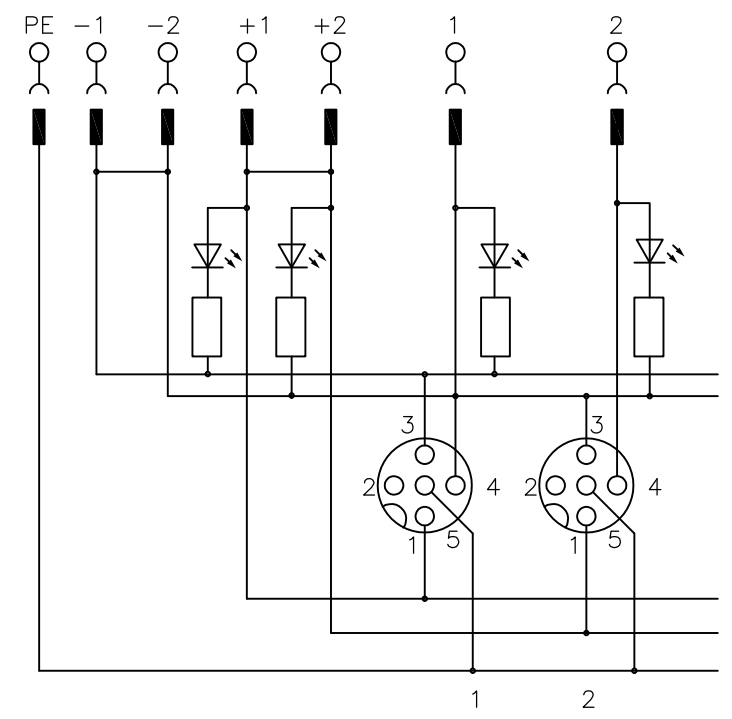
| LOC | DIST | REVISIONS | | | | | |
|-----|------|-----------|-----|-------------|------|-----|------|
| | | P | LTR | DESCRIPTION | DATE | DWN | APVD |
| H | - | - | - | SEE SHEET 1 | - | - | - |

Contact layout

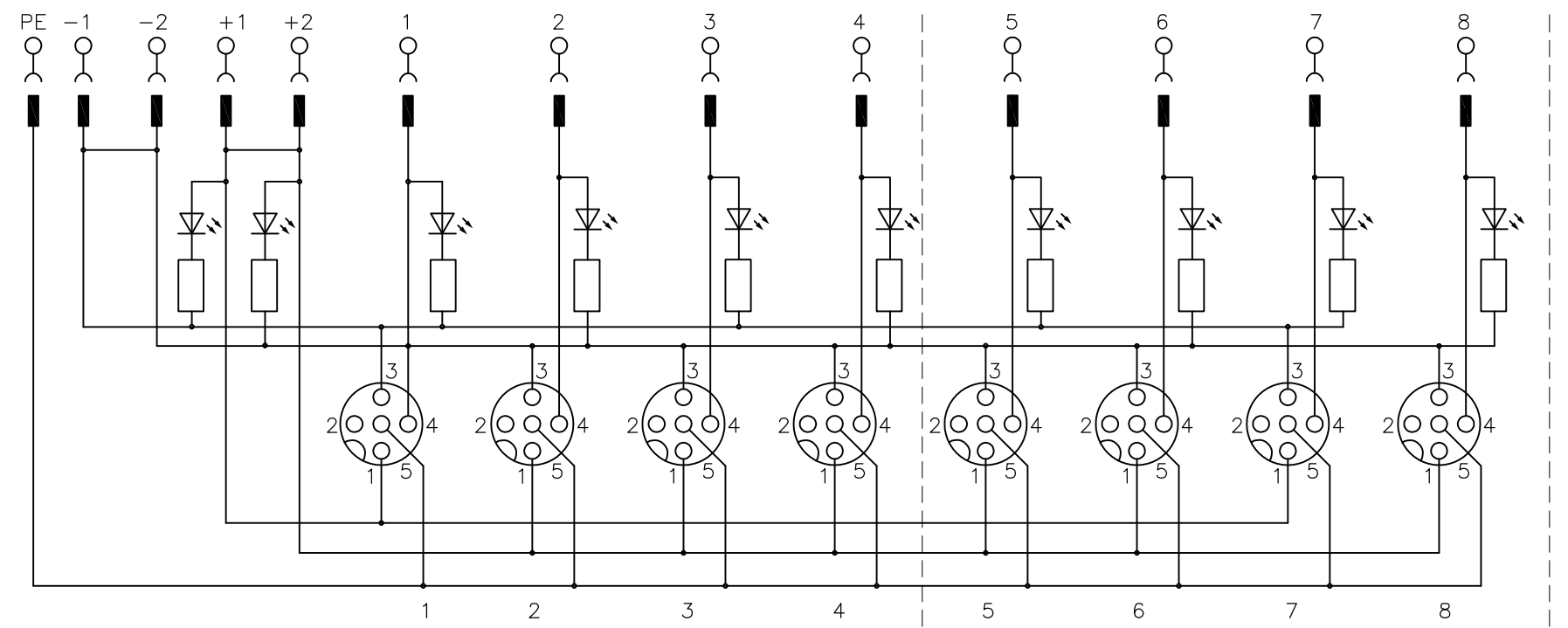
M12-Females 4-pole



Circuit diagram



for 1 Signal per port



4xM12

8xM12

| | | | | |
|--|--|-----------------------------------|-----------------------------|---------------|
| THIS DRAWING IS A CONTROLLED DOCUMENT. | | DWN 16JAN2014 SATHISH KUMAR .G | TE Connectivity | |
| DIMENSIONS: mm | | CHK 16JAN2014 B.VELDHOVEN | | |
| TOLERANCES UNLESS OTHERWISE SPECIFIED: | | APVD 16JAN2014 A.VAN ZANDVOORT | DISTR BOX M12 4POS 4WAY PNP | |
| | | PRODUCT SPEC | - | |
| MATERIAL | | APPLICATION SPEC | - | |
| FINISH | | WEIGHT | SIZE | RESTRICTED TO |
| - | | - | A3 00779 | - |
| | | CUSTOMER DRAWING | DRAWING NO | |
| | | | C-2273151 | |
| | | | SCALE | SHEET |
| | | | NTS | 2 OF 2 |
| | | | REV | A |