



Chipsmall Limited consists of a professional team with an average of over 10 year of expertise in the distribution of electronic components. Based in Hongkong, we have already established firm and mutual-benefit business relationships with customers from,Europe,America and south Asia,supplying obsolete and hard-to-find components to meet their specific needs.

With the principle of “Quality Parts,Customers Priority,Honest Operation,and Considerate Service”,our business mainly focus on the distribution of electronic components. Line cards we deal with include Microchip,ALPS,ROHM,Xilinx,Pulse,ON,Everlight and Freescale. Main products comprise IC,Modules,Potentiometer,IC Socket,Relay,Connector.Our parts cover such applications as commercial,industrial, and automotives areas.

We are looking forward to setting up business relationship with you and hope to provide you with the best service and solution. Let us make a better world for our industry!



Contact us

Tel: +86-755-8981 8866 Fax: +86-755-8427 6832

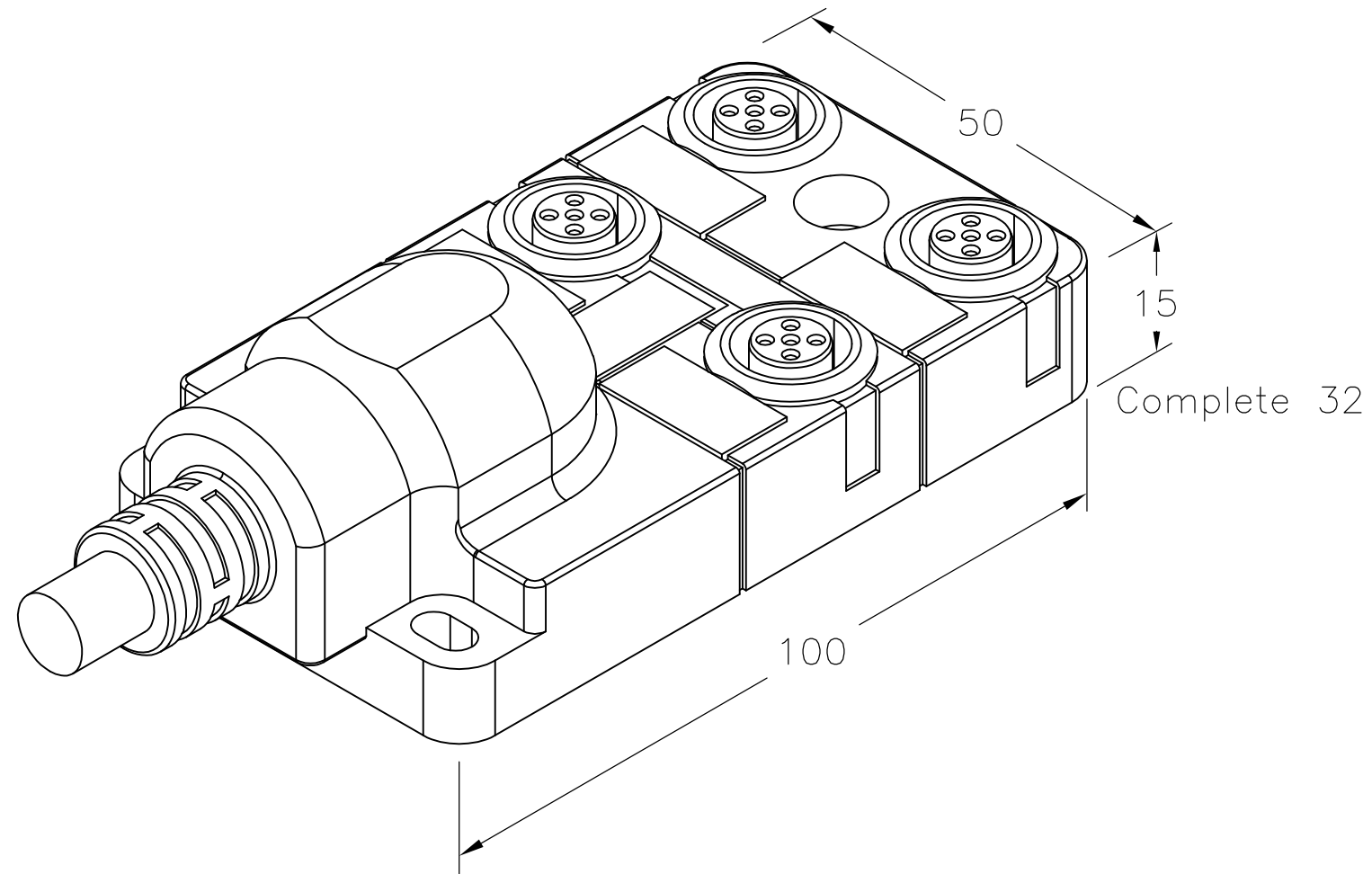
Email & Skype: info@chipsmall.com Web: www.chipsmall.com

Address: A1208, Overseas Decoration Building, #122 Zhenhua RD., Futian, Shenzhen, China



THIS DRAWING IS UNPUBLISHED. RELEASED FOR PUBLICATION - , - .
 © COPYRIGHT - By - ALL RIGHTS RESERVED.

LOC	DIST	REVISIONS					
H	-	P	LTR	DESCRIPTION	DATE	DWN	APVD
			A	INITIAL RELEASE	16JAN2014	GSK	BvH



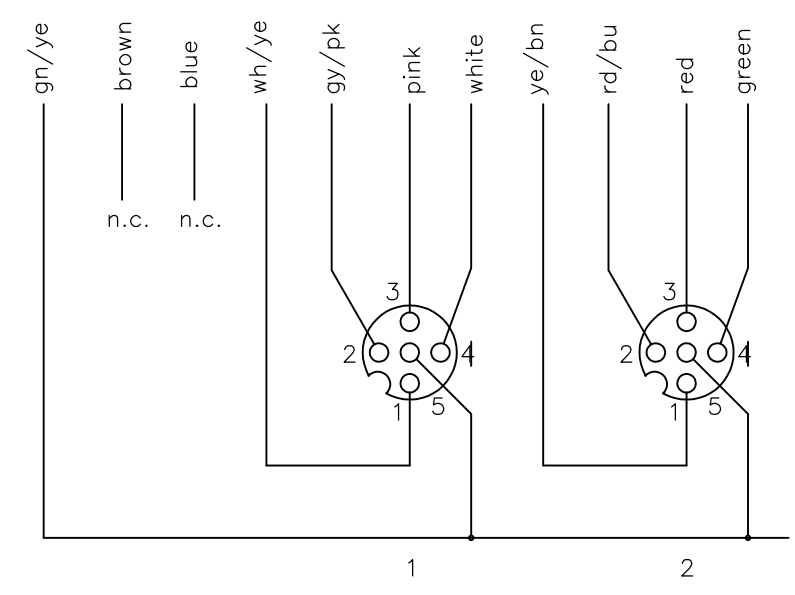
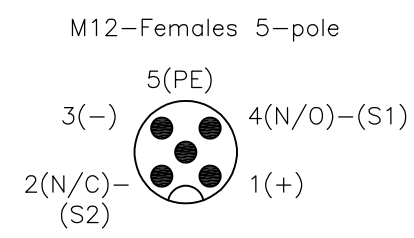
With PUR/PV Homerun Cable 10m	2273155-1
DESCRIPTION	TE PN

THIS DRAWING IS A CONTROLLED DOCUMENT.		DWN	16JAN2014	STE TE Connectivity		
DIMENSIONS: mm		CHK	16JAN2014			
TOLERANCES UNLESS OTHERWISE SPECIFIED:		B.VELDHOVEN		NAME		
0 PLC ± -		A.VAN ZANDVOORT		DISTR BOX M12 5POS 4WAY		
1 PLC ± -		PRODUCT SPEC		-		
2 PLC ± -		APPLICATION SPEC		-		
3 PLC ± -		SIZE	CAGE CODE	DRAWING NO	RESTRICTED TO	
4 PLC ± -		A3 00779		C-2273155		-
ANGLES ± -		CUSTOMER DRAWING		SCALE	SHEET	REV
FINISH		-		NTS	1 OF 2	A
MATERIAL		-				

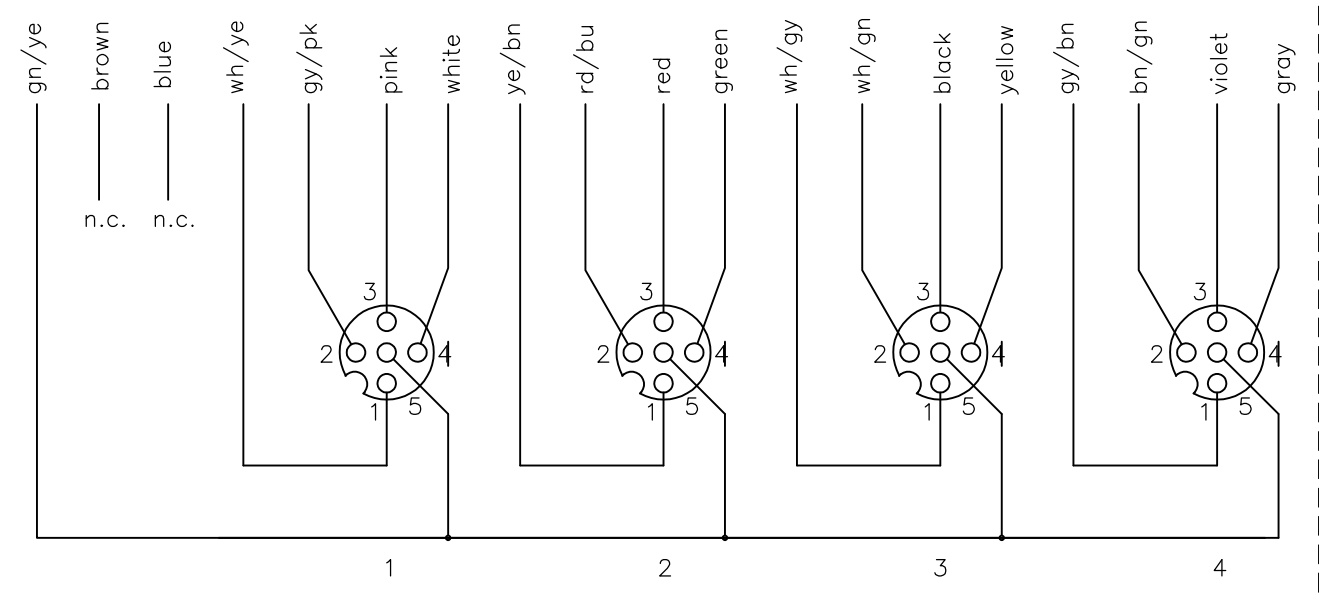
THIS DRAWING IS UNPUBLISHED. RELEASED FOR PUBLICATION
 © COPYRIGHT - By - ALL RIGHTS RESERVED.

LOC	DIST	REVISIONS					
		P	LTR	DESCRIPTION	DATE	DWN	APVD
H	-	-	-	SEE SHEET 1	-	-	-

Contact layout



Circuit diagram



free arrangeable, contact 1:1 on terminals
 for 5 Signal per port, possibility to bridge each PIN5

4xM12 →

THIS DRAWING IS A CONTROLLED DOCUMENT.		DWN 16JAN2014 SATHISH KUMAR .G	TE Connectivity			
DIMENSIONS: mm		CHK 16JAN2014 B.VELDHOVEN			NAME	
TOLERANCES UNLESS OTHERWISE SPECIFIED:		APVD 16JAN2014 A.VAN ZANDVOORT	DISTR BOX M12 5POS 4WAY			
		PRODUCT SPEC	-			
0 PLC ± - 1 PLC ± - 2 PLC ± - 3 PLC ± - 4 PLC ± - ANGLES ± -		APPLICATION SPEC	-			
MATERIAL		WEIGHT	SIZE	CAGE CODE	DRAWING NO	RESTRICTED TO
-		-	A3	00779	C-2273155	-
CUSTOMER DRAWING			SCALE	SHEET	REV	
			NTS	2 OF 2	A	