



Chipsmall Limited consists of a professional team with an average of over 10 year of expertise in the distribution of electronic components. Based in Hongkong, we have already established firm and mutual-benefit business relationships with customers from,Europe,America and south Asia,supplying obsolete and hard-to-find components to meet their specific needs.

With the principle of “Quality Parts,Customers Priority,Honest Operation,and Considerate Service”,our business mainly focus on the distribution of electronic components. Line cards we deal with include Microchip,ALPS,ROHM,Xilinx,Pulse,ON,Everlight and Freescale. Main products comprise IC,Modules,Potentiometer,IC Socket,Relay,Connector.Our parts cover such applications as commercial,industrial, and automotives areas.

We are looking forward to setting up business relationship with you and hope to provide you with the best service and solution. Let us make a better world for our industry!



## Contact us

Tel: +86-755-8981 8866 Fax: +86-755-8427 6832

Email & Skype: info@chipsmall.com Web: www.chipsmall.com

Address: A1208, Overseas Decoration Building, #122 Zhenhua RD., Futian, Shenzhen, China



4

3

2

1

THIS DRAWING IS UNPUBLISHED.      RELEASED FOR PUBLICATION  
 © COPYRIGHT - By -      ALL RIGHTS RESERVED.

LOC	DIST	REVISIONS					
		P	LTR	DESCRIPTION	DATE	DWN	APVD
H	-		A	INITIAL RELEASE	16JAN2014	GSK	BvH
			A1	ECR-14-016285	31OCT2014	GSK	BvH

D

D

C

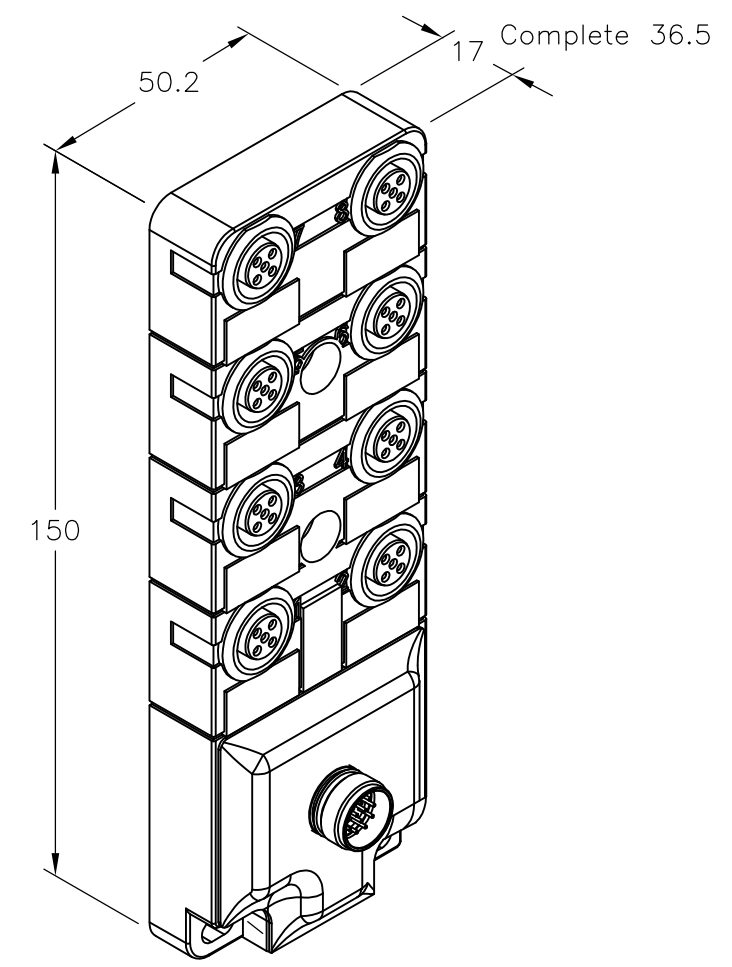
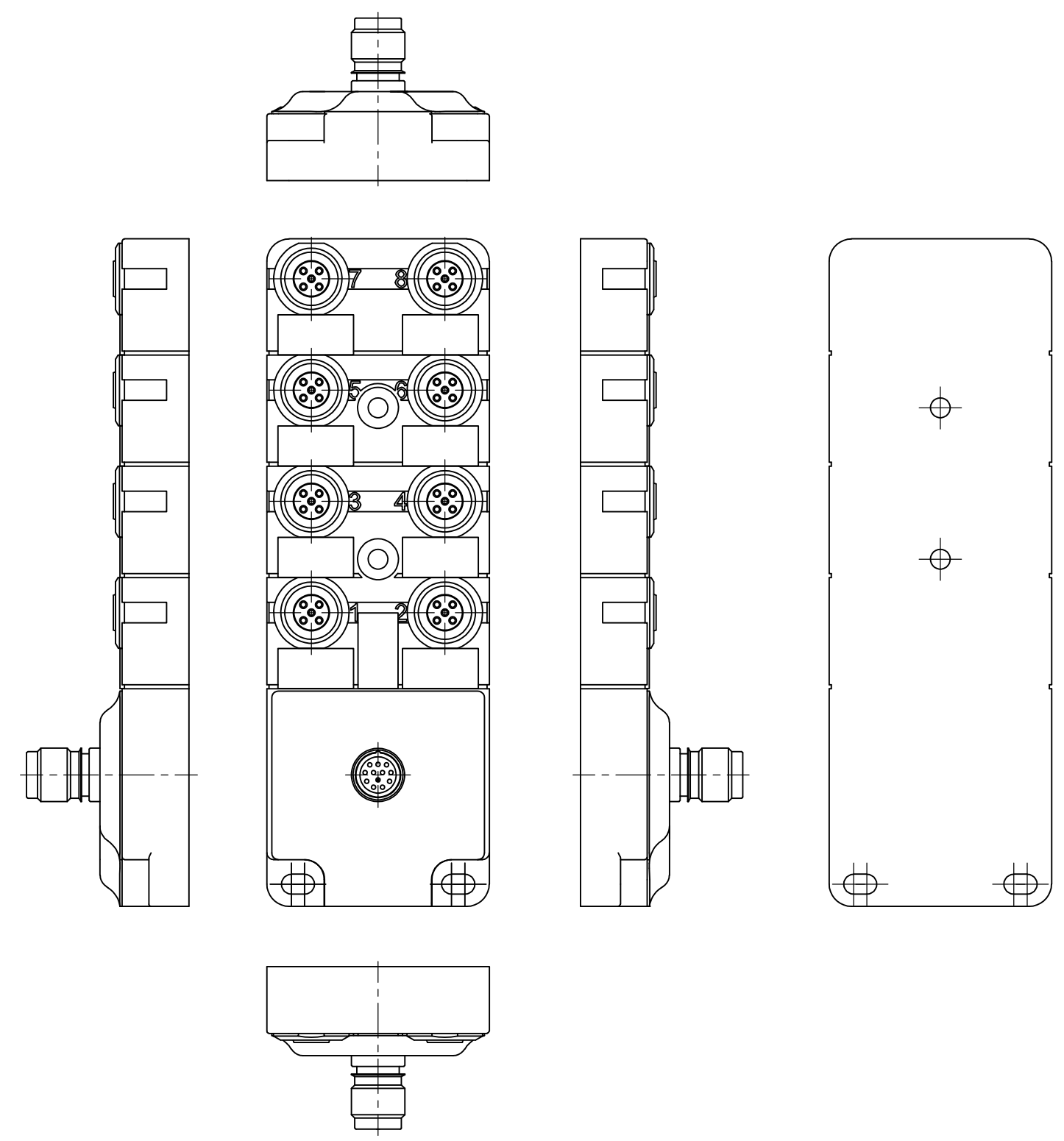
C

B

B

A

A



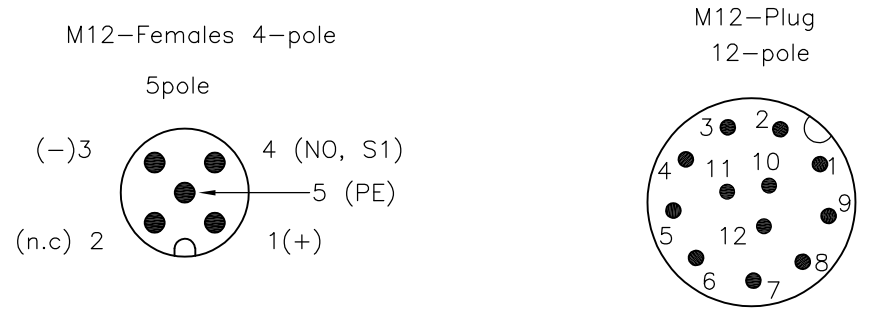
Without Homerun Cable	2273161-1
DESCRIPTION	TE PN

THIS DRAWING IS A CONTROLLED DOCUMENT.		DWN	16JAN2014	<b>STE</b> TE Connectivity		
		CHK	16JAN2014			
		SATHISH KUMAR .G		NAME DISTR BOX M12 4-5POS 8WAY M12/12P PNP		
		B.VELDHOVEN				
		A.VAN ZANDVOORT		PRODUCT SPEC -		
		APVD 16JAN2014				
		A.VAN ZANDVOORT		APPLICATION SPEC -		
		APVD 16JAN2014				
		A.VAN ZANDVOORT		SIZE A3		
		APVD 16JAN2014				
		A.VAN ZANDVOORT		CAGE CODE 00779		
		APVD 16JAN2014				
		A.VAN ZANDVOORT		DRAWING NO C-2273161		
		APVD 16JAN2014				
		A.VAN ZANDVOORT		RESTRICTED TO -		
		APVD 16JAN2014				
		A.VAN ZANDVOORT		SCALE NTS		
		APVD 16JAN2014				
		A.VAN ZANDVOORT		SHEET 1 OF 2		
		APVD 16JAN2014				
		A.VAN ZANDVOORT		REV A1		
		APVD 16JAN2014				
		A.VAN ZANDVOORT		CUSTOMER DRAWING		
		APVD 16JAN2014				
		A.VAN ZANDVOORT		SCALE NTS		
		APVD 16JAN2014				
		A.VAN ZANDVOORT		SHEET 1 OF 2		
		APVD 16JAN2014				
		A.VAN ZANDVOORT		REV A1		
		APVD 16JAN2014				

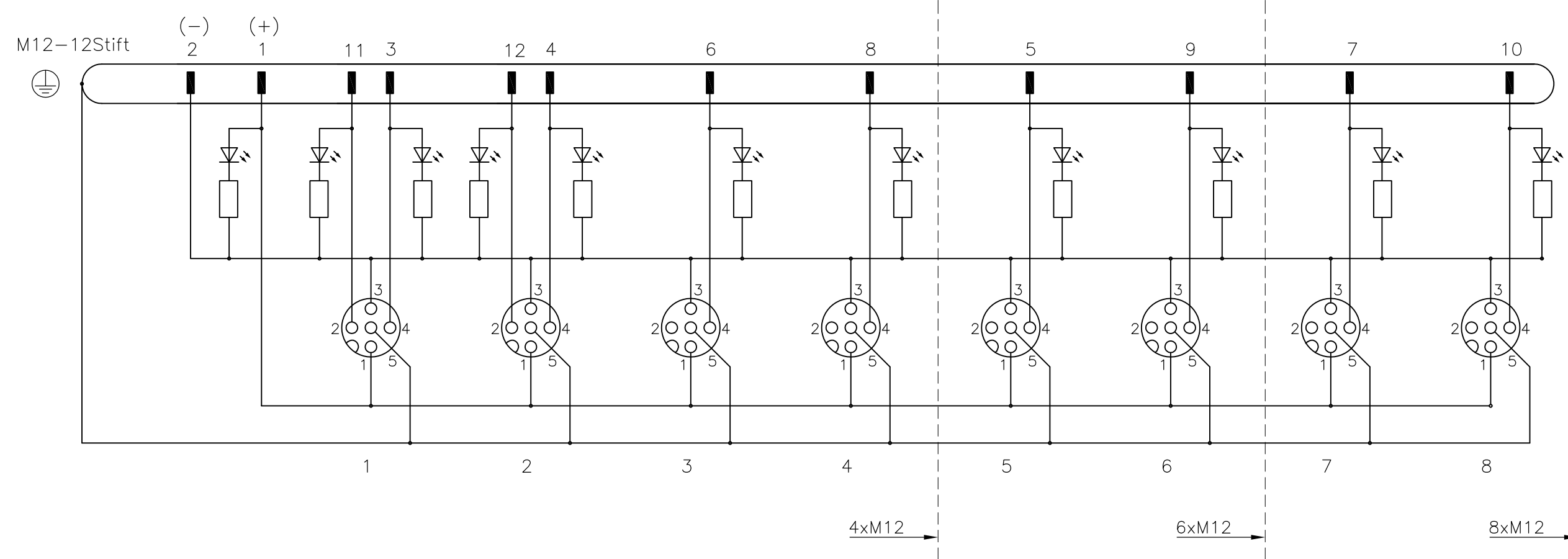
THIS DRAWING IS UNPUBLISHED. RELEASED FOR PUBLICATION  
 © COPYRIGHT - By - ALL RIGHTS RESERVED.

LOC	DIST	REVISIONS			
P	LTR	DESCRIPTION	DATE	DWN	APVD
H	-	SEE SHEET 1	-	-	-

### Contact layout



### Circuit diagram



THIS DRAWING IS A CONTROLLED DOCUMENT.		DWN 16JAN2014 SATHISH KUMAR .G	TE Connectivity	
DIMENSIONS: mm		CHK 16JAN2014 B.VELDHOVEN		
TOLERANCES UNLESS OTHERWISE SPECIFIED:		APVD 16JAN2014 A.VAN ZANDVOORT	PRODUCT SPEC	RESTRICTED TO
0 PLC ± - 1 PLC ± - 2 PLC ± - 3 PLC ± - 4 PLC ± - ANGLES ± -		APPLICATION SPEC	SIZE	CAGE CODE
MATERIAL		FINISH	WEIGHT	DRAWING NO
				A3 00779 C-2273161
CUSTOMER DRAWING			SCALE NTS	SHEET 2 OF 2
			REV A1	