



Chipsmall Limited consists of a professional team with an average of over 10 year of expertise in the distribution of electronic components. Based in Hongkong, we have already established firm and mutual-benefit business relationships with customers from,Europe,America and south Asia,supplying obsolete and hard-to-find components to meet their specific needs.

With the principle of “Quality Parts,Customers Priority,Honest Operation,and Considerate Service”,our business mainly focus on the distribution of electronic components. Line cards we deal with include Microchip,ALPS,ROHM,Xilinx,Pulse,ON,Everlight and Freescale. Main products comprise IC,Modules,Potentiometer,IC Socket,Relay,Connector.Our parts cover such applications as commercial,industrial, and automotives areas.

We are looking forward to setting up business relationship with you and hope to provide you with the best service and solution. Let us make a better world for our industry!



Contact us

Tel: +86-755-8981 8866 Fax: +86-755-8427 6832

Email & Skype: info@chipsmall.com Web: www.chipsmall.com

Address: A1208, Overseas Decoration Building, #122 Zhenhua RD., Futian, Shenzhen, China



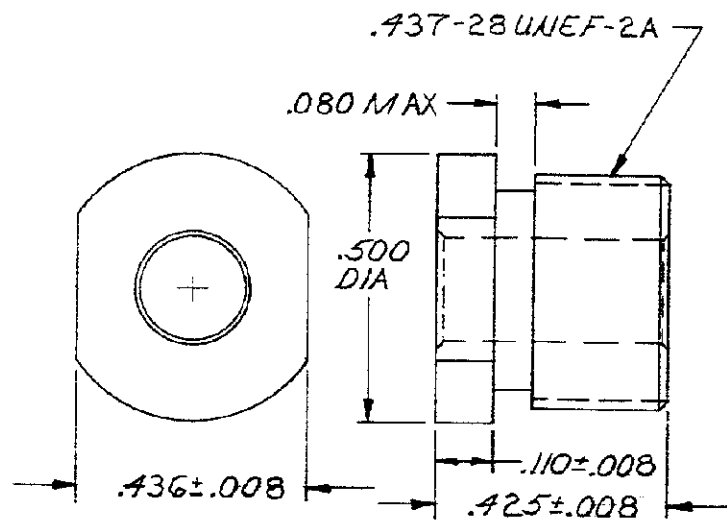
© COPYRIGHT 1979 BY AMP INCORPORATED, HARRISBURG, PA.
ALL INTERNATIONAL RIGHTS RESERVED. AMP INCORPORATED PRODUCTS
COVERED BY U.S. AND FOREIGN PATENTS AND/OR PATENTS PENDING.

		REVISIONS				LOC	DIS
P	F	ZONE	LTR	DESCRIPTION	DATE	APPR	
✓	✓		0	NPS 70-2528	9/18/79	PRG	
✓	✓		A	ADD-2 NPS 80-2695	5/20/80	gls	
✓	✓		B	CHNG DIM	6/26/80	gls	

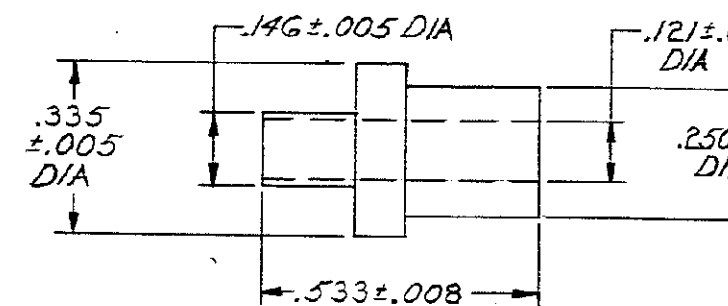
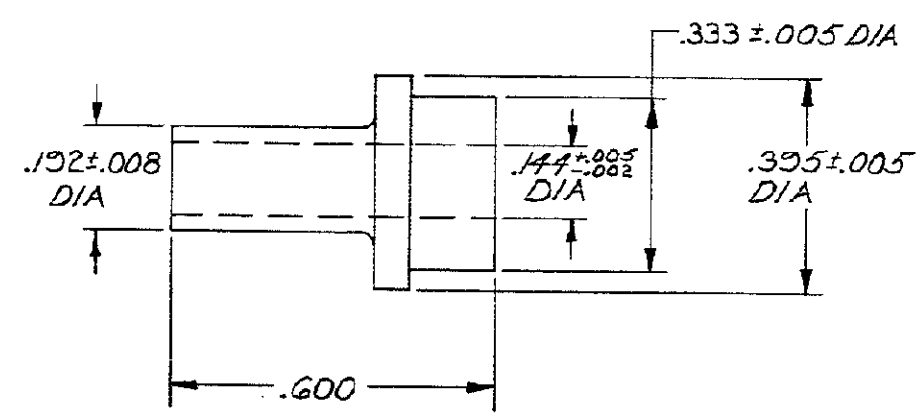
- ① GOLD PL. (MIL-G-45204)
- ② BR. TIN PL. (MIL-T-15727)

D
227347
C
B
A

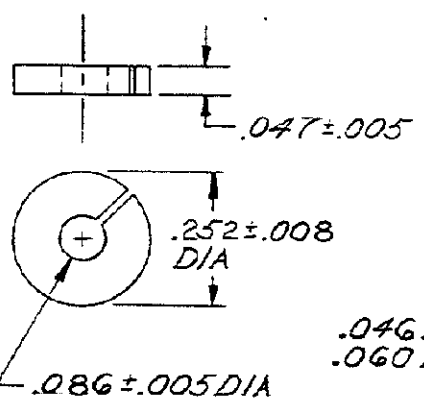
NUT, CONNECTOR
MATL: BRASS, QQ-B-626
PLATING SEE TABLE
PART NO. SEE TABLE (ITEM 1)



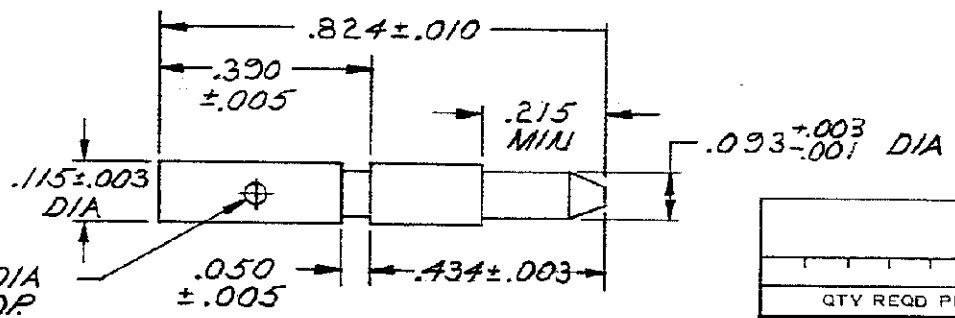
ADAPTOR, CONNECTOR
MATL: BRASS, QQ-B-626
PLATING SEE TABLE
PART NO. SEE TABLE (ITEM 2)



INSULATOR, CONNECTOR
MATL: TEFLON, MIL-P-19468A
PART NO. 227403-1



BEAD, INSULATOR
MATL: TEFLON, MIL-P-19468A
PART NO. 227406-1



PIN, CONNECTOR
MATL: BRASS, QQ-B-626
GOLD PL, MIL-G-45204
PART NO. 227404-2

1	-	②		227405-3	ADAPTOR CONN.
1	-	②		227402-3	NUT, CONNECTOR
-	1	①		227405-2	ADAPTOR CONN.
-	1	①		227402-2	NUT CONNECTOR
-	2	-	PLATING	DWG SIZE	PART NO OR IDENTIFYING NO

QTY REQD PER ASSY		REVISION OF EACH ASSY NO (WHEN BLANK, USE DWG REVISION)		PARTS LIST	
UNLESS OTHERWISE SPECIFIED DIMENSIONS ARE IN INCHES. TOLERANCES ON: DECIMALS ±.008 ANGLES ± 5°		CONTRACT NO		AMP INCORPORATED Harrisburg, Pa.	
MATERIAL		DR MRS [Signature] 3-21-79		NAME	
FINISH		CHK [Signature] 9/18/79		ARING PIN, SOLDER ASSY SIZE 1	
		APPR [Signature] 9/19/79		SIZE	
		DSGN APPD [Signature] 9-20-79		CODE IDENT NO	
		OTHER APPD		DRAWING NO	
				B 00779	
				227347	
				SCALE	
				SHEET 1 of 1	