



Chipsmall Limited consists of a professional team with an average of over 10 year of expertise in the distribution of electronic components. Based in Hongkong, we have already established firm and mutual-benefit business relationships with customers from,Europe,America and south Asia,supplying obsolete and hard-to-find components to meet their specific needs.

With the principle of "Quality Parts,Customers Priority,Honest Operation,and Considerate Service",our business mainly focus on the distribution of electronic components. Line cards we deal with include Microchip,ALPS,ROHM,Xilinx,Pulse,ON,Everlight and Freescale. Main products comprise IC,Modules,Potentiometer,IC Socket,Relay,Connector.Our parts cover such applications as commercial,industrial, and automotives areas.

We are looking forward to setting up business relationship with you and hope to provide you with the best service and solution. Let us make a better world for our industry!



Contact us

Tel: +86-755-8981 8866 Fax: +86-755-8427 6832

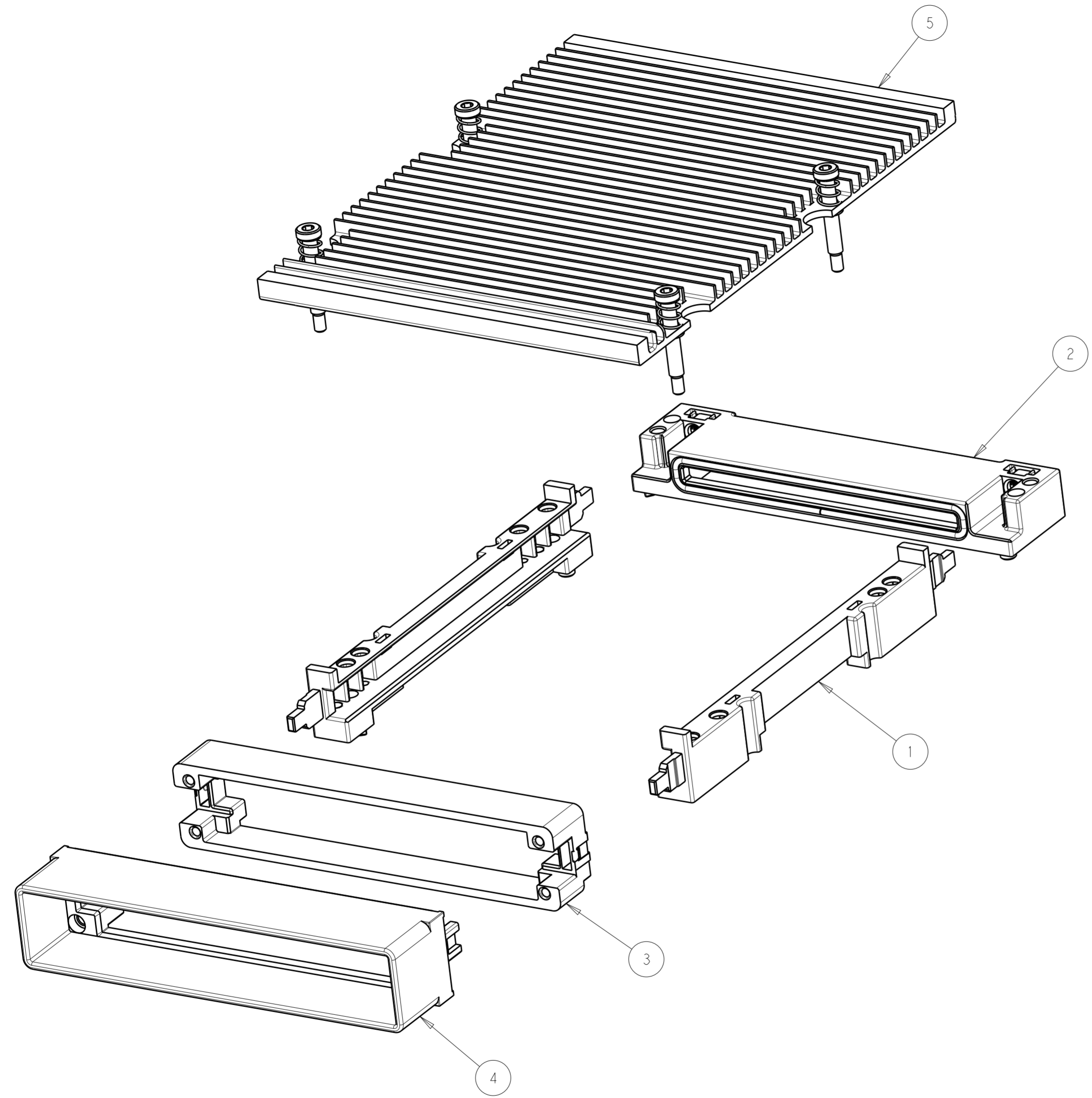
Email & Skype: info@chipsmall.com Web: www.chipsmall.com

Address: A1208, Overseas Decoration Building, #122 Zhenhua RD., Futian, Shenzhen, China



THIS DRAWING IS UNPUBLISHED. RELEASED FOR PUBLICATION 20
 © COPYRIGHT 20 BY - ALL RIGHTS RESERVED.

REVISIONS				
P	LTR	DESCRIPTION	DATE	APVD
	A	RELEASED	18SEP2013	CJV MRS



1	2274283-1	HEATSINK ASSEMBLY	5
1	2057626-1	EXTERNAL BRACKET ASSEMBLY	4
1	2057930-1	BACKER PLATE ASSEMBLY	3
1	2057631-1	CONNECTOR COVER ASSEMBLY	2
2	2057592-2	GUIDE RAIL	1
-1	PART NUMBER	DESCRIPTION	ITEM NO

THIS DRAWING IS A CONTROLLED DOCUMENT.		DWN C. VALENTINE 18SEP2013	TE Connectivity															
DIMENSIONS: mm		CHK M. SCHMITT 18SEP2013																
TOLERANCES UNLESS OTHERWISE SPECIFIED:		APVD M. SCHMITT 18SEP2013	NAME CFP HARDWARE KIT W/ HEATSINK, SIDE TO SIDE AIRFLOW															
<table border="0"> <tr> <td>0 PLC</td><td>±-</td></tr> <tr> <td>1 PLC</td><td>±0.5</td></tr> <tr> <td>2 PLC</td><td>±0.13</td></tr> <tr> <td>3 PLC</td><td>±0.013</td></tr> <tr> <td>4 PLC</td><td>±0.0001</td></tr> <tr> <td>ANGLES</td><td>±</td></tr> <tr> <td>FINISH</td><td>-</td></tr> </table>		0 PLC	±-	1 PLC	±0.5	2 PLC	±0.13	3 PLC	±0.013	4 PLC	±0.0001	ANGLES	±	FINISH	-	PRODUCT SPEC 108-2399	SIZE A2	
0 PLC	±-																	
1 PLC	±0.5																	
2 PLC	±0.13																	
3 PLC	±0.013																	
4 PLC	±0.0001																	
ANGLES	±																	
FINISH	-																	
MATERIAL -		APPLICATION SPEC 114-13263	CAGE CODE -	DRAWING NO G-2274284														
		WEIGHT -	RESTRICTED TO -															
		Customer Drawing		SCALE 3:2 SHEET 1 OF 1 REV A														