



Chipsmall Limited consists of a professional team with an average of over 10 year of expertise in the distribution of electronic components. Based in Hongkong, we have already established firm and mutual-benefit business relationships with customers from,Europe,America and south Asia,supplying obsolete and hard-to-find components to meet their specific needs.

With the principle of “Quality Parts,Customers Priority,Honest Operation,and Considerate Service”,our business mainly focus on the distribution of electronic components. Line cards we deal with include Microchip,ALPS,ROHM,Xilinx,Pulse,ON,Everlight and Freescale. Main products comprise IC,Modules,Potentiometer,IC Socket,Relay,Connector.Our parts cover such applications as commercial,industrial, and automotives areas.

We are looking forward to setting up business relationship with you and hope to provide you with the best service and solution. Let us make a better world for our industry!



Contact us

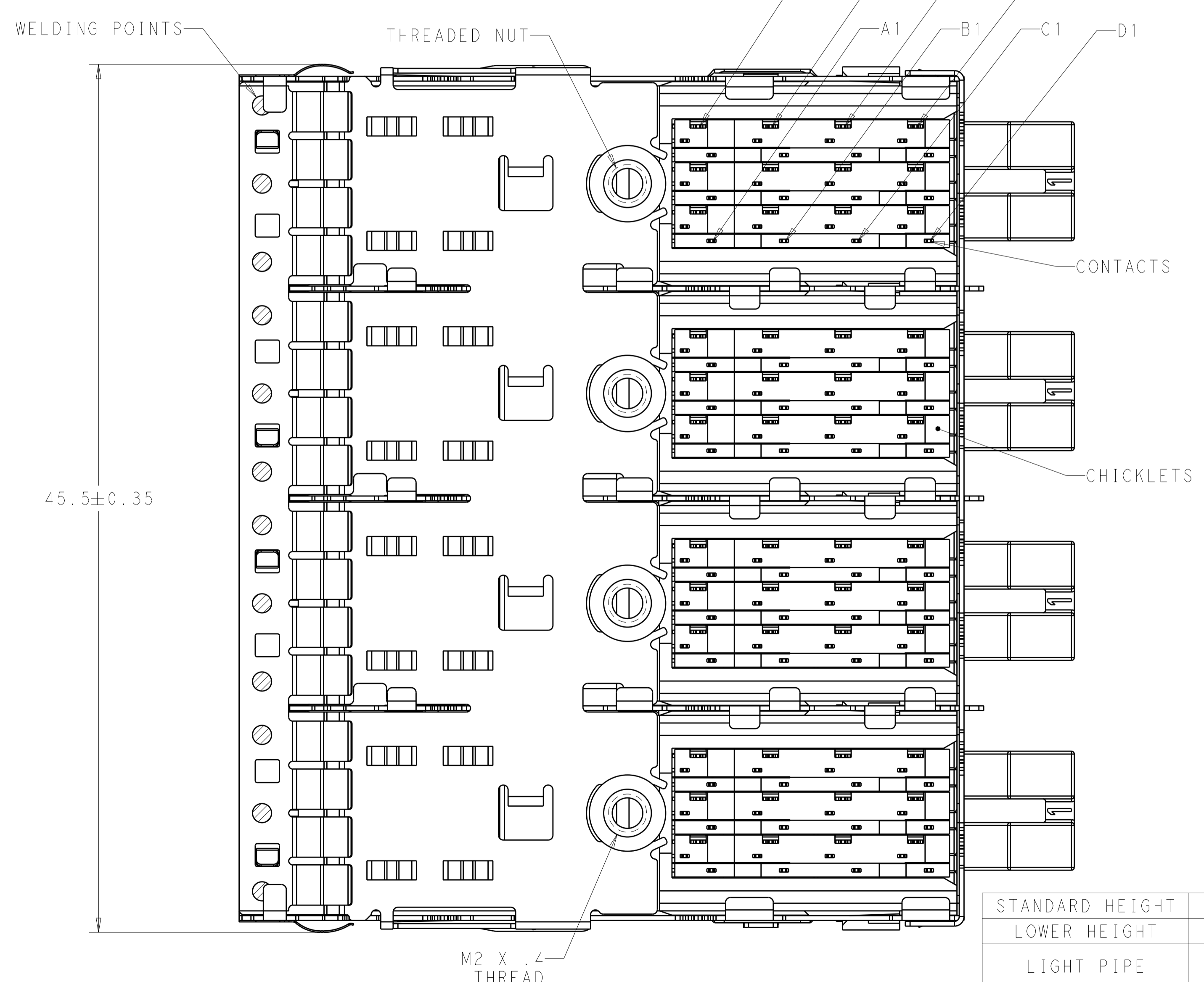
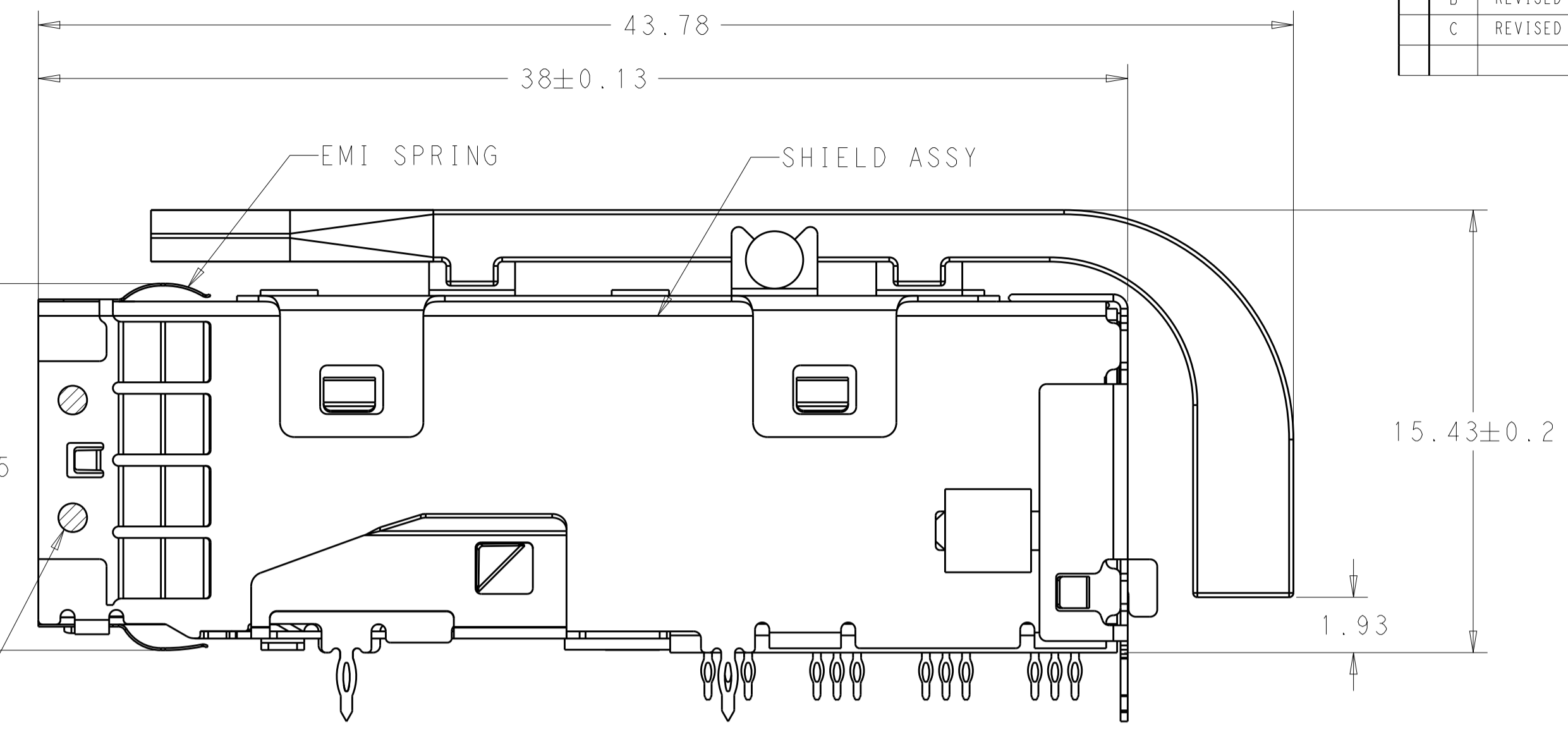
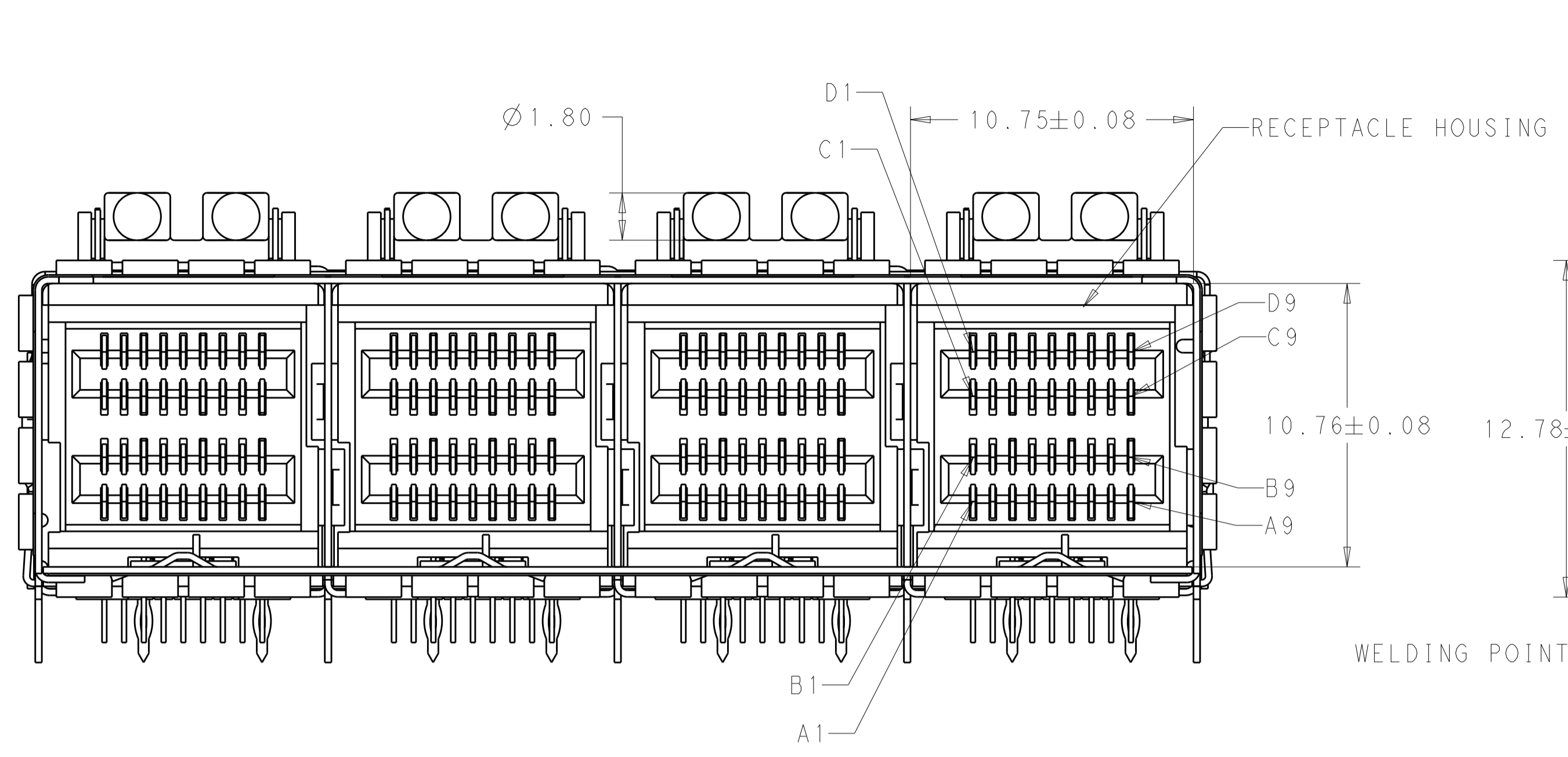
Tel: +86-755-8981 8866 Fax: +86-755-8427 6832

Email & Skype: info@chipsmall.com Web: www.chipsmall.com

Address: A1208, Overseas Decoration Building, #122 Zhenhua RD., Futian, Shenzhen, China



LOC		DIST		REVISIONS			
P	LTN	DESCRIPTION	DATE	DMN	APVD		
A		INITIAL RELEASE	18FEB2014	BM	DG		
B		REVISED PER ECO-14-002851	03MAR2014	BM	DG		
C		REVISED PER ECO-15-013876	19JUN2016	JY	SH		



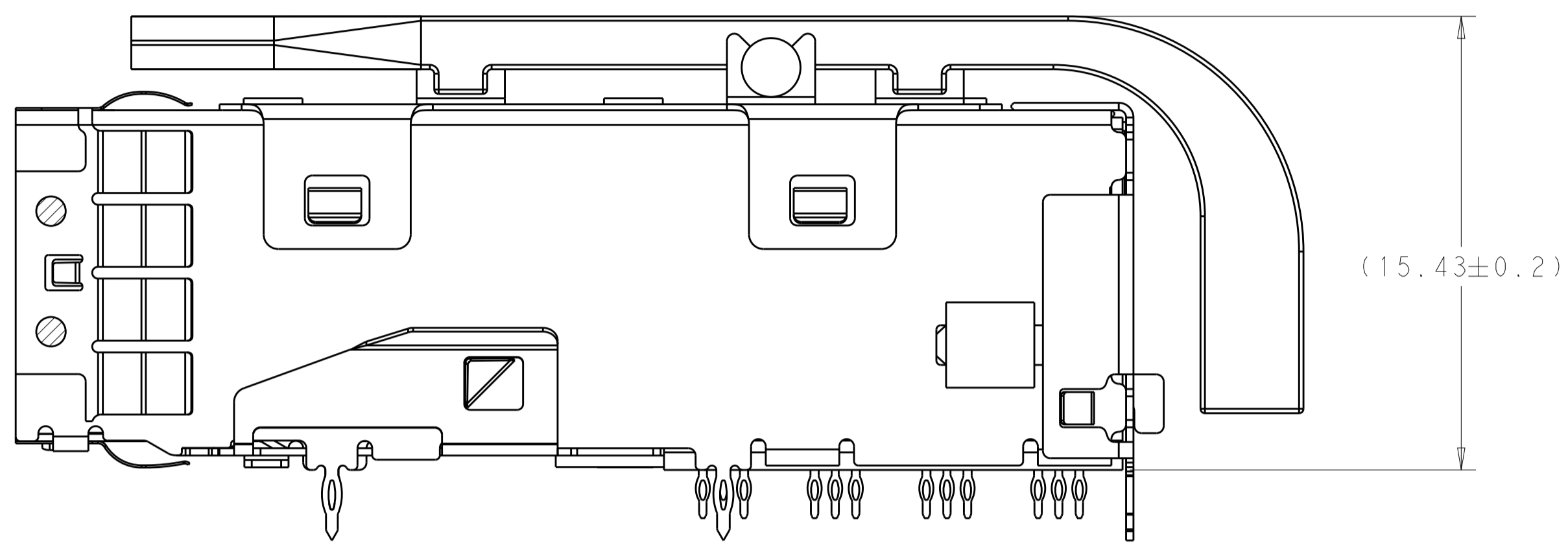
- MATERIALS**
 RECEPTACLE HOUSING: LCP, BLACK, UL94V-0 RATED
 SHIELD ASSY: NICKEL-SILVER COPPER ALLOY
 CONTACTS: COPPER ALLOY
 EMI SPRING: COPPER ALLOY
 THREADED NUT: BRASS
 CHICKLETS: LCP, BLACK, UL 94V-0 RATED
 LIGHTPIPE CLIP: STAINLESS STEEL
 LIGHTPIPE: POLYCARBONATE
 - FINISH**
 EMI SPRING: TIN PLATE OVER NICKEL PLATE
 NON-PLATED EDGES PERMISSABLE
 THREADED NUT: NICKEL PLATE
- 3 CONTACT FINISH: 0.76µm MIN GOLD PLATE IN CONTACT AREA, 1.25µm MIN TIN ON PCB TAILS. ALL OVER 1.27µm MIN NICKEL UNDERPLATE.
4. THREAD LENGTH OF FASTENER = PCB THICKNESS+1.45 MAX
5. THIS PRODUCT HAS NOT COMPLETED VALIDATION/QUALIFICATION TESTING
- 6 RECOMMENDED TRACE KEEP OUT ZONE

STANDARD HEIGHT	15.54	2274681-2
LOWER HEIGHT	14.53	2274681-1
LIGHT PIPE	H HOLE HIGHT OF LP	PART NUMBER

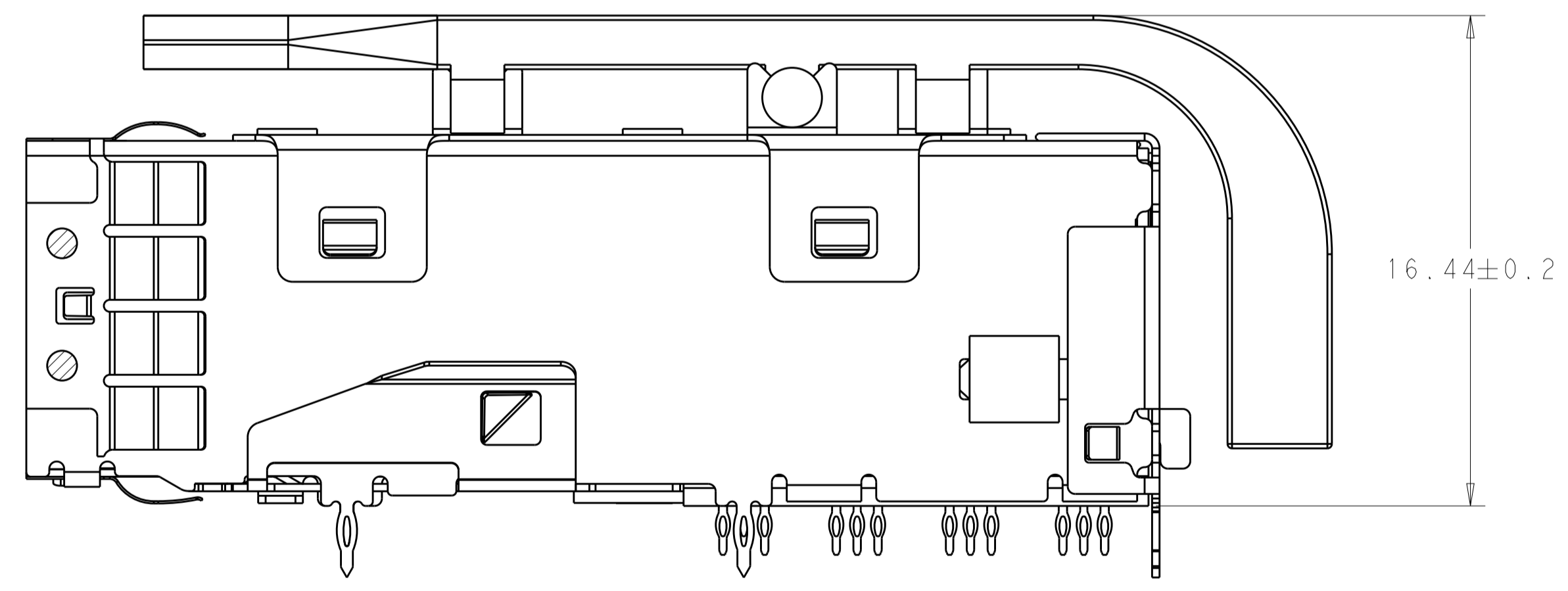
THIS DRAWING IS A CONTROLLED DOCUMENT.		DMN	B. MATTHEWS	18FEB2014
DIMENSIONS:		CHK	D. GORENC	18FEB2014
mm	0 PLC ±	APVD	D. GORENC	18FEB2014
	1 PLC ±0.25	NAME		
	2 PLC ±0.13	RECEPTACLE ASSEMBLY,		
	3 PLC ±	MINI-SAS HD, 4X		
	4 PLC ±	W/ LOW PROFILE LIGHT PIPES		
	ANGLES ±	SIZE		
	FINISH ±	CAGE CODE DRAWING NO		
MATERIAL		RESTRICTED TO		
		A100779C=2274681		
CUSTOMER DRAWING		WEIGHT	114-13316	
		SCALE	6:1	SHEET 1 OF 4

2274681-1 AS SHOWN

LOC		DIST		REVISIONS			
P.	LTN	DESCRIPTION	DATE	DWN	APVD		
-		SEE SHEET 1	-	-	-		



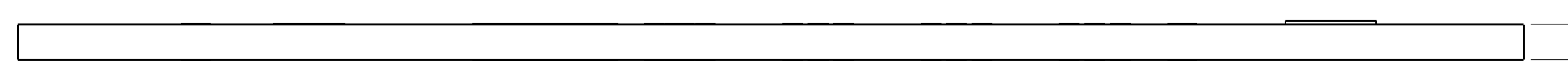
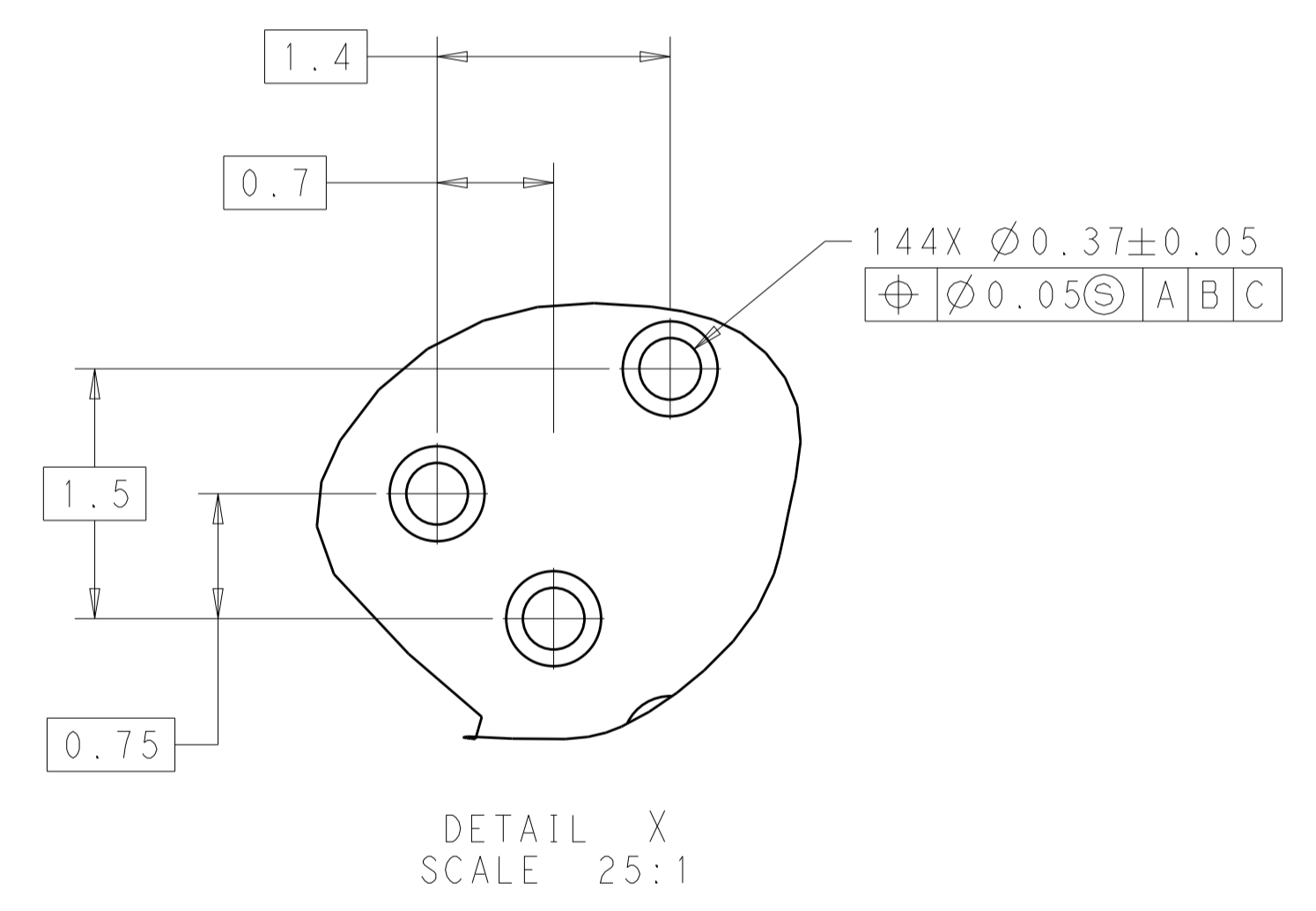
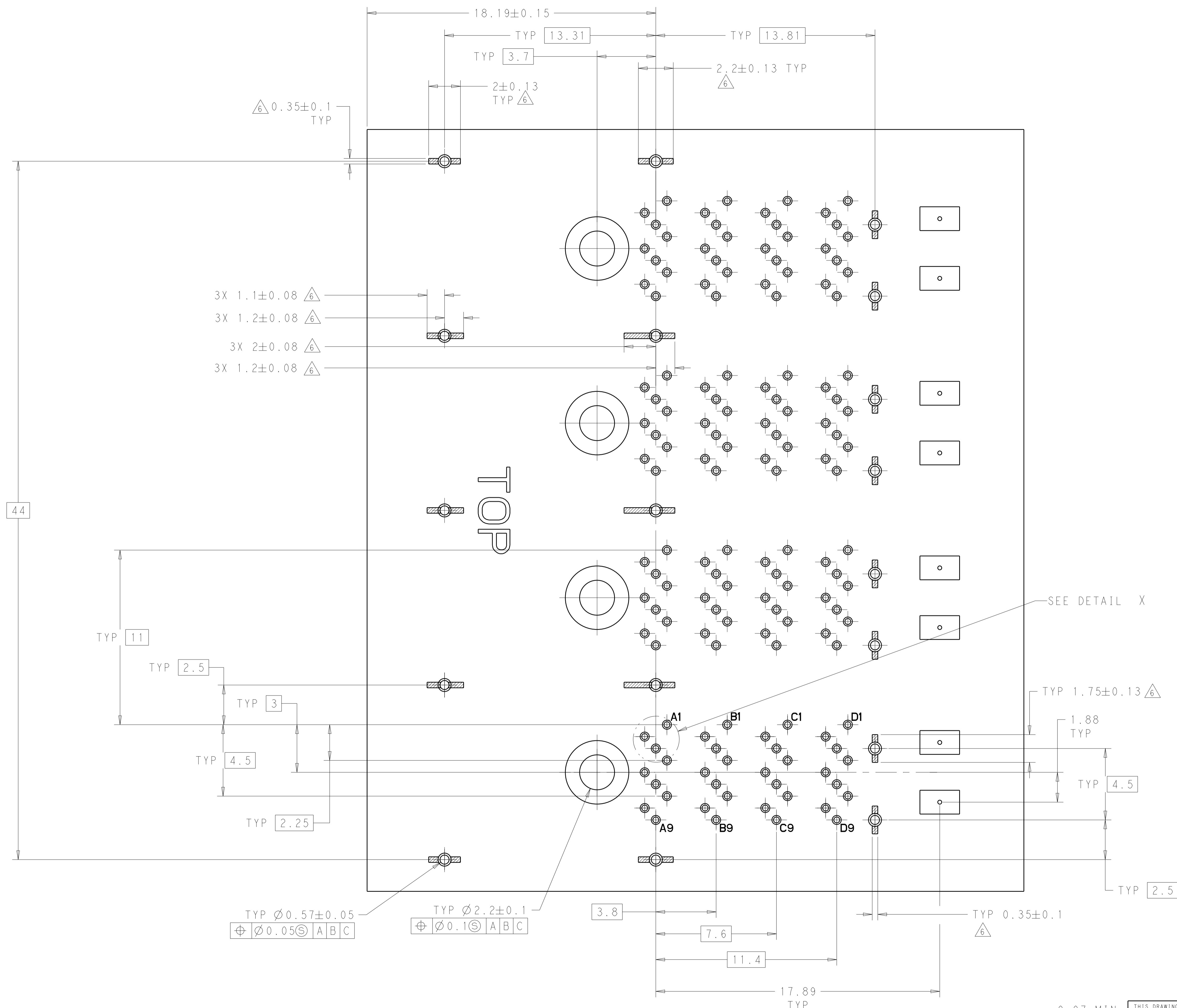
2274681-1 AS SHOWN
 SCALE 6:1



2274681-2 AS SHOWN
 UNSPECIFIED DIMENSIO SN ARE SAME AS 2274681-1
 SCALE 6:1

THIS DRAWING IS A CONTROLLED DOCUMENT.		DWN B. MATTHEWS 18FEB2014	
		CHK D. GORENC 18FEB2014	
DIMENSIONS:		APVD D. GORENC 18FEB2014	NAME RECEPTACLE ASSEMBLY, MINI-SAS HD, 4X W/ LOW PROFILE LIGHT PIPES
TOLERANCES UNLESS OTHERWISE SPECIFIED:		PRODUCT SPEC	
mm	0 PLC ±	108-2462	SIZE CAGE CODE DRAWING NO RESTRICTED TO
	1 PLC ±0.25	APPLICATION SPEC	
	2 PLC ±0.13	114-13316	A100779C=2274681
	3 PLC ±	WEIGHT	
	4 PLC ±	Customer Drawing	SCALE 6:1 SHEET 2 OF 4 REV C
	ANGLES ±		
MATERIAL	FINISH		

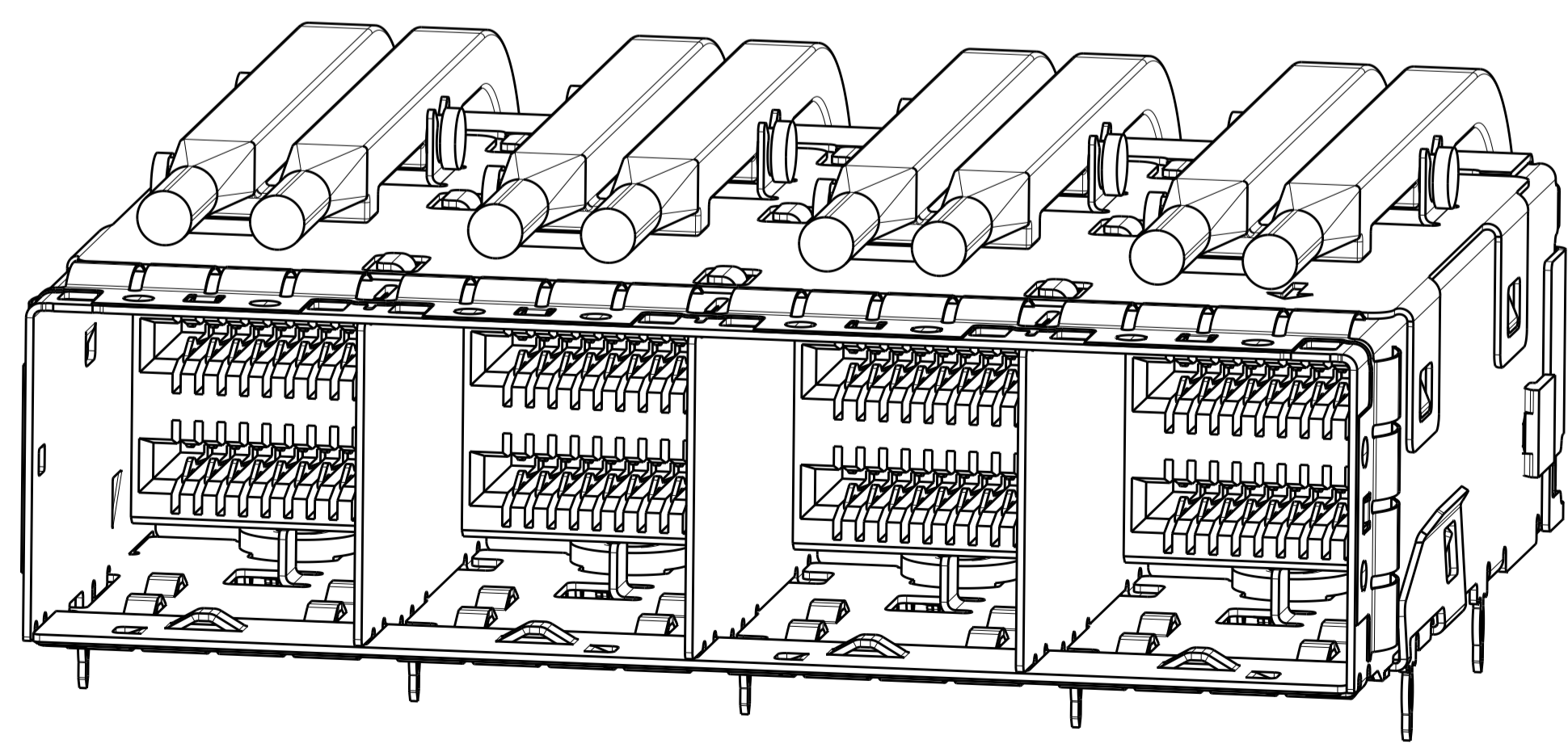
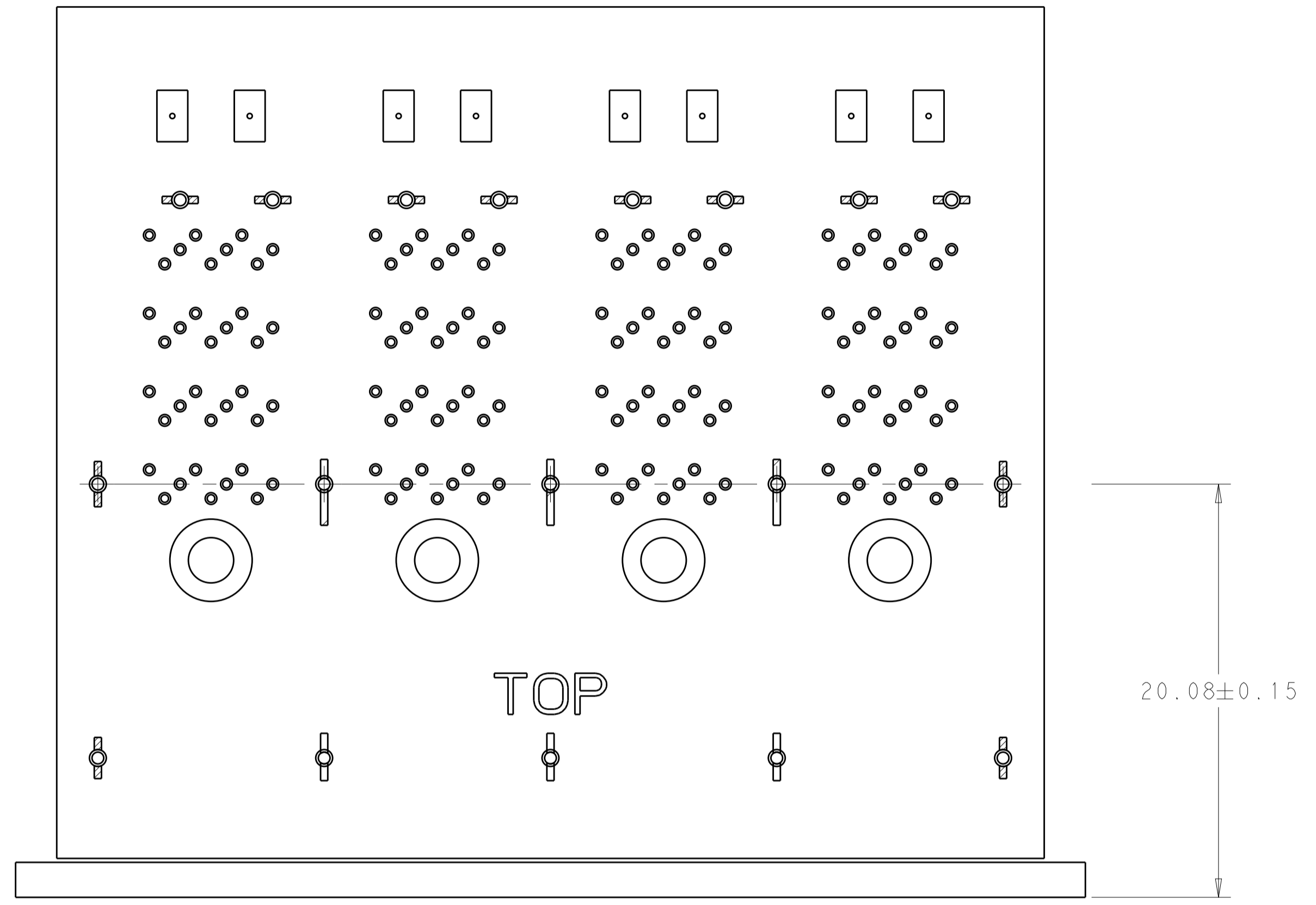
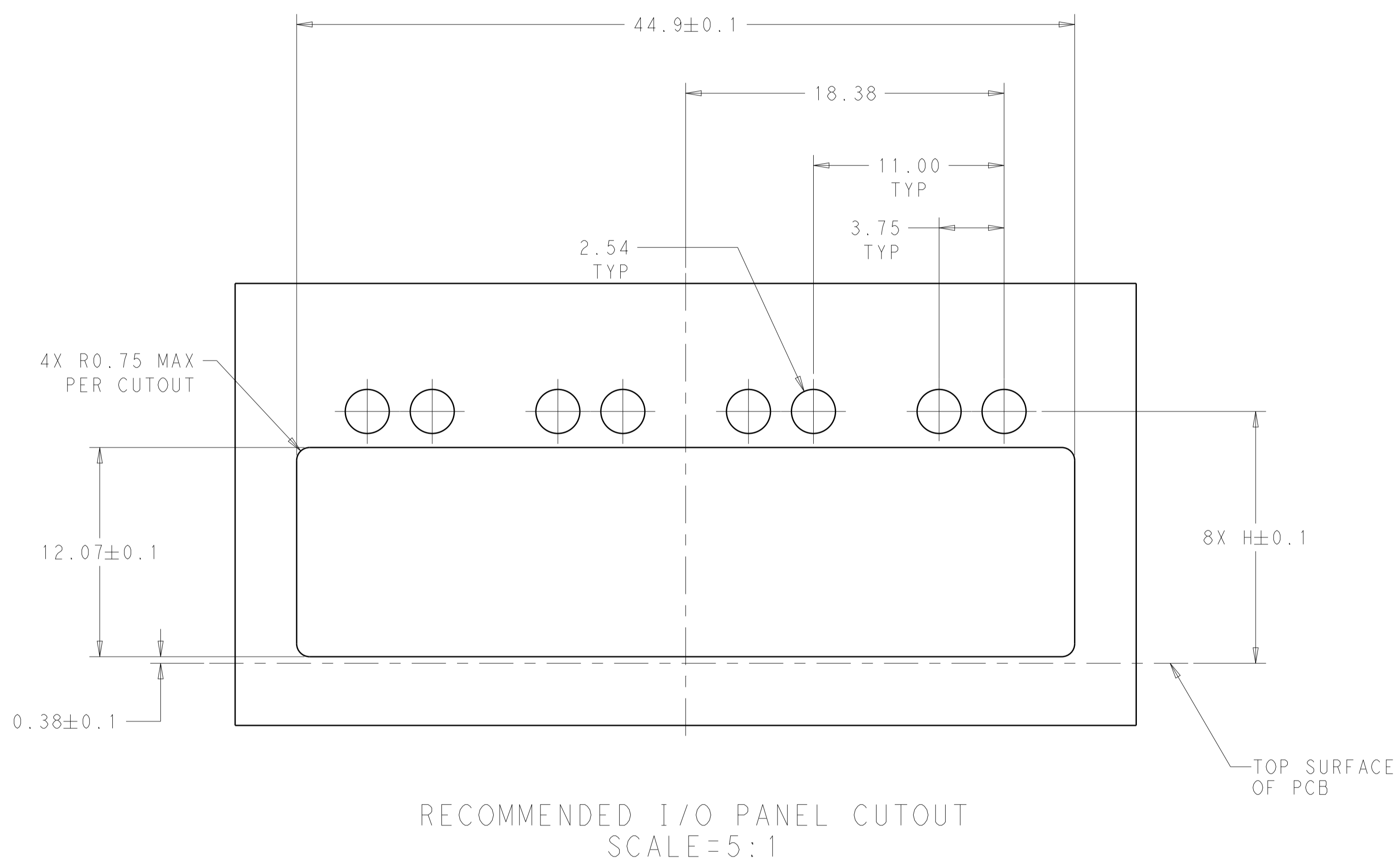
LOC		DIST		REVISIONS			
P.	LTN	DESCRIPTION	DATE	DMN	APVD		
-	-	SEE SHEET 1	-	-	-	-	-



RECOMMENDED PCB LAYOUT

THIS DRAWING IS A CONTROLLED DOCUMENT.		DMN: B. MATTHEWS 18FEB2014	TE Connectivity
DIMENSIONS: mm		CHK: D. GORENC 18FEB2014	
TOLERANCES UNLESS OTHERWISE SPECIFIED:		APVD: D. GORENC 18FEB2014	NAME: RECEPTACLE ASSEMBLY, MINI-SAS HD, 4X W/ LOW PROFILE LIGHT PIPES
0 PLC ±	±0.25	PRODUCT SPEC: 108-2462	SIZE: 114-13316
1 PLC ±	±0.13	APPLICATION SPEC: 114-13316	RESTRICTED TO: A100779C=2274681
2 PLC ±	±	WEIGHT: -	SCALE: 6:1
3 PLC ±	±	Customer Drawing	SHEET 3 OF 4
4 PLC ±	±		REV C
ANGLES ±	±		

LOC	DIST	REVISIONS			
P.	LTN	DESCRIPTION	DATE	DWN	APVD
-	-	SEE SHEET 1	-	-	-



THIS DRAWING IS A CONTROLLED DOCUMENT.		DWN: B. MATTHEWS 18FEB2014	
		CHK: D. GORENC 18FEB2014	
DIMENSIONS:		APVD: D. GORENC 18FEB2014	NAME: RECEPTACLE ASSEMBLY, MINI-SAS HD, 4X W/ LOW PROFILE LIGHT PIPES
mm	0 PLC ±	PRODUCT SPEC	SIZE: 114-13316
	1 PLC ±0.25	108-2462	RESTRICTED TO
	2 PLC ±0.13	APPLICATION SPEC	A100779C=2274681
	3 PLC ±	114-13316	SCALE: 6:1 SHEET 4 OF 4 REV C
	4 PLC ±	WEIGHT	
	ANGLES ±	Customer Drawing	
MATERIAL	FINISH		