



Chipsmall Limited consists of a professional team with an average of over 10 year of expertise in the distribution of electronic components. Based in Hongkong, we have already established firm and mutual-benefit business relationships with customers from,Europe,America and south Asia,supplying obsolete and hard-to-find components to meet their specific needs.

With the principle of “Quality Parts,Customers Priority,Honest Operation,and Considerate Service”,our business mainly focus on the distribution of electronic components. Line cards we deal with include Microchip,ALPS,ROHM,Xilinx,Pulse,ON,Everlight and Freescale. Main products comprise IC,Modules,Potentiometer,IC Socket,Relay,Connector.Our parts cover such applications as commercial,industrial, and automotives areas.

We are looking forward to setting up business relationship with you and hope to provide you with the best service and solution. Let us make a better world for our industry!



Contact us

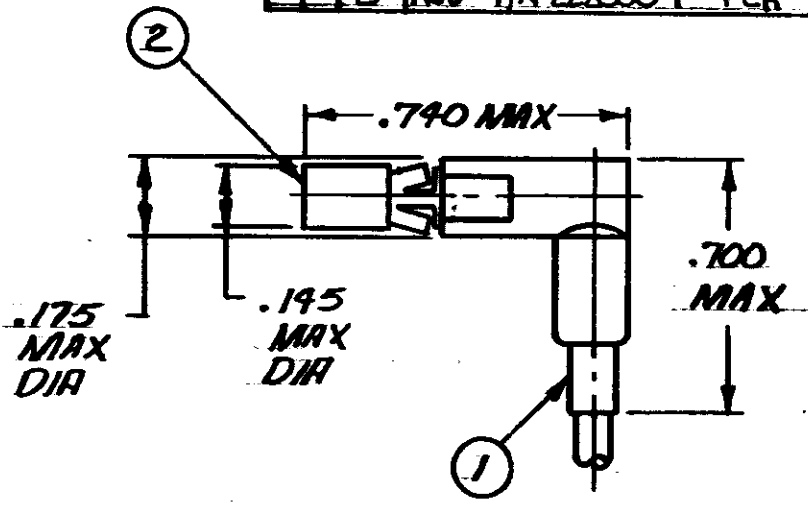
Tel: +86-755-8981 8866 Fax: +86-755-8427 6832

Email & Skype: info@chipsmall.com Web: www.chipsmall.com

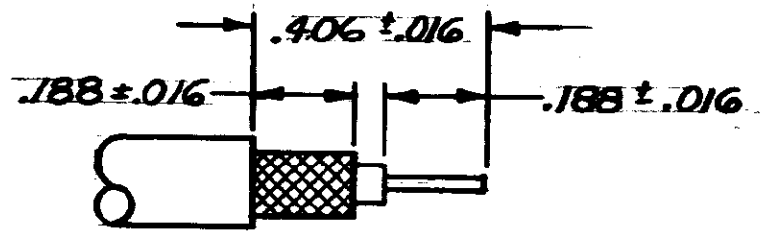
Address: A1208, Overseas Decoration Building, #122 Zhenhua RD., Futian, Shenzhen, China



P		LTR	DESCRIPTION	DATE	APPROVED
✓	✓	0	REC NPS 81-3231	2-28-82	TJ
✓	✓	A	ADD RG-188/U & REV STRIP LENGTH; CB3-424	7-13-83	TS/DH
✓	✓	B	ADD P/N 222000-1 PER AJ-3009	5/31/88	DBM/RJM



1. .180 MIN DIA HOLE REQ'D FOR CONTACT TO FEED THROUGH P.C. BOARD.
2. FOR USE WITH: RG-316/U, & 188/U CABLE.
3. CRIMP TOOL: 220215-2.
4. SEE IS. 2923.
7. ITEM 3 IS USED TO STABILIZE CONTACT IN THE HOUSING CAVITY; OTHERWISE DISCARD.



RECOMMENDED STRIP LENGTH

3	1	RING, ALIGNMENT	222000-1
2	1	RT. ANGLE SOCKET ASSY	228537-1
1	1	FERRULE	228538-3
ITEM	QTY	DESCRIPTION	PART NO

UNLESS OTHERWISE SPECIFIED DIMENSIONS ARE IN INCHES. TOLERANCES ON: DECIMALS ± ANGLES ±

MATERIAL _____

FINISH _____

CONTRACT NO _____

DESIGNER: T. Smith 7/23/82

CHECKER: [Signature] 7/24/82

APPROVED: [Signature] 7/26/82

DESIGN APPROVED: [Signature] 7/26/82

OTHER APPROVED: T. Smith 7/28/82

AMP | AMP INCORPORATED
Harrisburg, Pa. 17105

NAME: CONNECTOR, COAXIAL, MULTIPLE, RF, CONTACT, SOCKET, RTANG, CA, MICROMINI

SIZE: **A** | FSCM NO: **00779** | DRAWING NO: **227606-4**

SCALE: NTS | SHEET: _____

THIS DRAWING IS UNPUBLISHED. RELEASED FOR PUBLICATION. COPYRIGHT 19 BY AMP INCORPORATED, HARRISBURG, PA. ALL INTERNATIONAL RIGHTS RESERVED. AMP PRODUCTS MAY BE COVERED BY U.S. AND FOREIGN PATENTS AND/OR PATENTS PENDING.

227606-4