



Chipsmall Limited consists of a professional team with an average of over 10 year of expertise in the distribution of electronic components. Based in Hongkong, we have already established firm and mutual-benefit business relationships with customers from,Europe,America and south Asia,supplying obsolete and hard-to-find components to meet their specific needs.

With the principle of “Quality Parts,Customers Priority,Honest Operation,and Considerate Service”,our business mainly focus on the distribution of electronic components. Line cards we deal with include Microchip,ALPS,ROHM,Xilinx,Pulse,ON,Everlight and Freescale. Main products comprise IC,Modules,Potentiometer,IC Socket,Relay,Connector.Our parts cover such applications as commercial,industrial, and automotives areas.

We are looking forward to setting up business relationship with you and hope to provide you with the best service and solution. Let us make a better world for our industry!



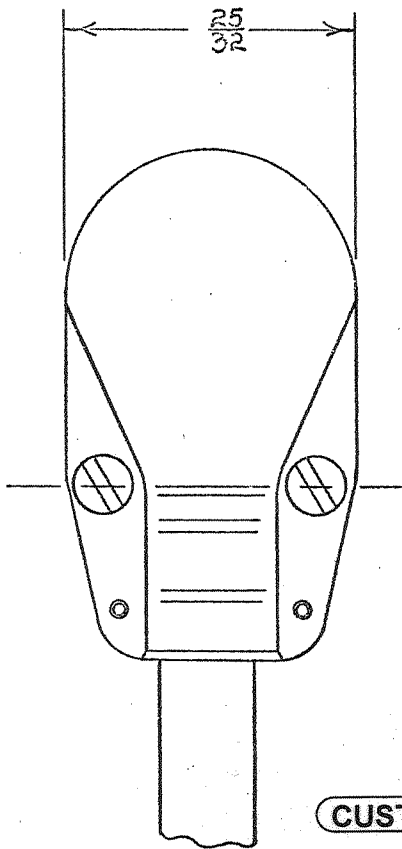
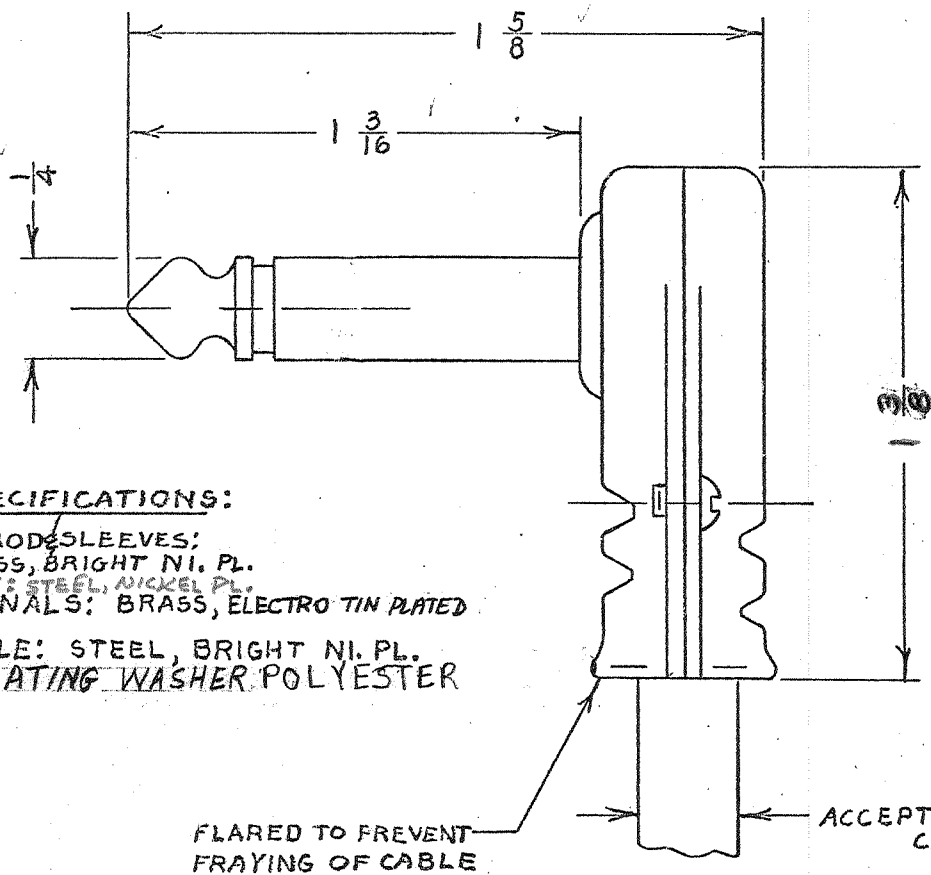
Contact us

Tel: +86-755-8981 8866 Fax: +86-755-8427 6832

Email & Skype: info@chipsmall.com Web: www.chipsmall.com

Address: A1208, Overseas Decoration Building, #122 Zhenhua RD., Futian, Shenzhen, China





CUSTOMER DRAWING

SPECIFICATIONS:
 TIP & ROD SLEEVES:
 BRASS, BRIGHT NI. PL.
 SCREWS: STEEL, NICKEL PL.
 TERMINALS: BRASS, ELECTRO TIN PLATED
 HANDLE: STEEL, BRIGHT NI. PL.
 INSULATING WASHER POLYESTER

FLARED TO PREVENT
FRAYING OF CABLE

ACCEPTS .210 TO .250
CABLE

REV	SYN	REVISION	BY	DATE
2		ADDED TORQUE AND "BY" SPEC	JF	11/11/86
3	A1 A-2	REMOVED 406.100.3 WAS 2 IN. LGS. ECO. 13326	JF	10/16/86
4		REFORMULATED TORQUE SPEC. #1 ECO 1401	EB	11/18/88
A		ELECTRO TIN PLATED PER - CR. WAS	EB	11/28/88
B		HOT TINNED ECO. 14667	VL	1/17
C		ECO # 16416	LR	10-1
D		ECO # 18370	CS	3-11-91
E		ECO # 19660	TA	7/29/96
F		ECO # 20559	TA	7/22/96
		ECO # 20627		

THIS DRAWING DESCRIBES A DESIGN CONSIDERED PROPRIETARY IN NATURE, DEVELOPED AND MANUFACTURED BY SWITCHCRAFT, INC., AND IS RELEASED ON A CONFIDENTIAL BASIS FOR IDENTIFICATION PURPOSE ONLY.

- UNLESS OTHERWISE SPECIFIED:
- 1 - DECIMAL DIMENSIONS ± .005
 - 2 - FRACTIONAL DIMENSIONS ± 1/64
 - 3 - ANGLES ± 1/2°
 - 4 - ALL DIA'S CONCENTRIC WITHIN .005 T.I.R.
 - 5 - ALL DIMENSIONS IN INCHES
 - 6 - FOR THREADS USE UNIFIED PLUG AND RING GAGES ONLY.
 - 7 - REMOVE ALL BURRS.
 - 8 - PART TO BE FABRICATED AS SPECIFIED. MAKE NO DIMENSIONAL ALLOWANCES FOR APPLIED FINISHES, I.E., PLATING, PAINTING, ETC.
 - 9 - HOLES ON SAME CENTERLINE MUST BE ALIGNED WITHIN ± .002
- DO NOT SCALE DRAWING

SIZE	WIDTH	MULT.	LBS. PER M	TEMPER
DRAWN BY G.N.		DATE 8-11-65	FINISH	
CHECKED BY Rm		DATE 8-11-65	PER FINISH SPEC. NO.	
APPROVED BY G.N.		DATE 1-28-88	MATERIAL	
SCALE X			PER MAT. SPEC. NO.	
FIRST USED ON				
NAME METAL FLAT PLUG			PART NO. 228	ISSUE F
2 CONDUCTOR			SHEET	OF