



Chipsmall Limited consists of a professional team with an average of over 10 year of expertise in the distribution of electronic components. Based in Hongkong, we have already established firm and mutual-benefit business relationships with customers from,Europe,America and south Asia,supplying obsolete and hard-to-find components to meet their specific needs.

With the principle of “Quality Parts,Customers Priority,Honest Operation,and Considerate Service”,our business mainly focus on the distribution of electronic components. Line cards we deal with include Microchip,ALPS,ROHM,Xilinx,Pulse,ON,Everlight and Freescale. Main products comprise IC,Modules,Potentiometer,IC Socket,Relay,Connector.Our parts cover such applications as commercial,industrial, and automotives areas.

We are looking forward to setting up business relationship with you and hope to provide you with the best service and solution. Let us make a better world for our industry!



Contact us

Tel: +86-755-8981 8866 Fax: +86-755-8427 6832

Email & Skype: info@chipsmall.com Web: www.chipsmall.com

Address: A1208, Overseas Decoration Building, #122 Zhenhua RD., Futian, Shenzhen, China



DFLK 16

Order No.: 2280239

The illustration shows a 50-pos. version

<http://eshop.phoenixcontact.de/phoenix/treeViewClick.do?UID=2280239>

VARIOFACE panel feed-through module, for direct coupling of single signal lines of up to 2.5 mm² to flat-ribbon cable plug connector, 16-pos.

Commercial data	
EAN	4017918054342
Pack	5 pcs.
Customs tariff	85369010
Weight/Piece	0.05796 KG
Catalog page information	Page 283 (IF-2009)

Product notesWEEE/RoHS-compliant since:
05/08/2007

<http://www.download.phoenixcontact.com>
Please note that the data given here has been taken from the online catalog. For comprehensive information and data, please refer to the user documentation. The General Terms and Conditions of Use apply to Internet downloads.

Technical data	
General data	
Nominal voltage U _N	< 50 V AC
	60 V DC
Max. current carrying capacity per branch	1 A
Number of positions	16

Width	39 mm
Height	49 mm
Depth	58.4 mm
Status display	No
Ambient temperature (operation)	-20 °C ... 45 °C
Ambient temperature (storage/transport)	-20 °C ... 70 °C
Test voltage	500 V (50 Hz, 1 min.)
Mounting position	Any
Standards/regulations	IEC 60664
	DIN EN 50178
	IEC 62103

Connection data

Connection 1	PCB connection
Connection in acc. with standard	IEC / EN
Type of connection	Screw connection
Conductor cross section solid min.	0.2 mm ²
Conductor cross section solid max.	4 mm ²
Conductor cross section stranded min.	0.2 mm ²
Conductor cross section stranded max.	2.5 mm ²
Conductor cross section AWG/kcmil min.	24
Conductor cross section AWG/kcmil max	12
Stripping length	8 mm
Screw thread	M3
Connection 2	Flat-ribbon cable connector in acc. with IEC 60603-13
Type of connection	Pluggable
Number of positions	16

Certificates / Approvals

Certification

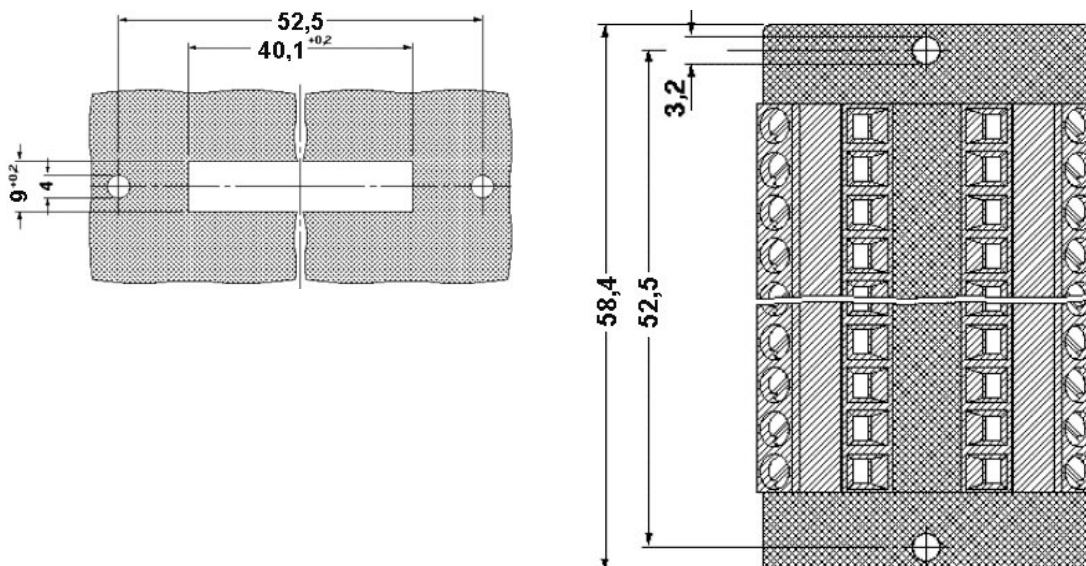
GOST

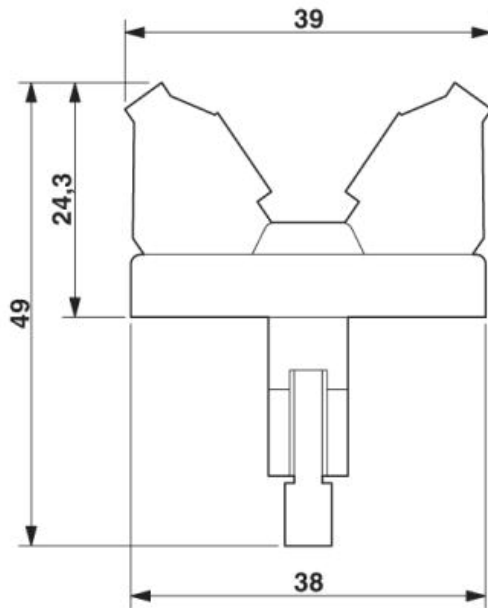
Accessories

Item	Designation	Description
Cable/conductor		
2299291	FLK 16/EZ-DR/ 50/KONFEK	Round cable set, with two 16-pos. socket strips (1:1 connection), cable length: 0.5 m
2299301	FLK 16/EZ-DR/ 100/KONFEK	Round cable set, with two 16-pos. socket strips (1:1 connection), cable length: 1 m
2299314	FLK 16/EZ-DR/ 150/KONFEK	Round cable set, with two 16-pos. socket strips, (1:1 connection), cable length: 1.5 m
2299327	FLK 16/EZ-DR/ 200/KONFEK	Round cable set, with two 16-pos. socket strips (1:1 connection), cable length: 2 m
2299330	FLK 16/EZ-DR/ 300/KONFEK	Round cable set, with two 16-pos. socket strips (1:1 connection), cable length: 3 m
2299343	FLK 16/EZ-DR/ 400/KONFEK	Round cable set, with two 16-pos. socket strips (1:1 connection), cable length: 4 m
2299369	FLK 16/EZ-DR/ 800/KONFEK	Round cable set, with two 16-pos. socket strips (1:1 connection), cable length: 8 m
2299372	FLK 16/EZ-DR/1000/KONFEK	Round cable set, with two 16-pos. socket strips (1:1 connection), cable length: 10 m
2295059	FLK EZ-DR.../.../...	Round cable, with preassembly, not shielded, variable cable length

Diagrams/Drawings

Dimensioned drawing





Address

PHOENIX CONTACT Inc., USA
586 Fulling Mill Road
Middletown, PA 17057, USA
Phone (800) 888-7388
Fax (717) 944-1625
<http://www.phoenixcon.com>



© 2010 Phoenix Contact
Technical modifications reserved;