



Chipsmall Limited consists of a professional team with an average of over 10 year of expertise in the distribution of electronic components. Based in Hongkong, we have already established firm and mutual-benefit business relationships with customers from,Europe,America and south Asia,supplying obsolete and hard-to-find components to meet their specific needs.

With the principle of “Quality Parts,Customers Priority,Honest Operation,and Considerate Service”,our business mainly focus on the distribution of electronic components. Line cards we deal with include Microchip,ALPS,ROHM,Xilinx,Pulse,ON,Everlight and Freescale. Main products comprise IC,Modules,Potentiometer,IC Socket,Relay,Connector.Our parts cover such applications as commercial,industrial, and automotives areas.

We are looking forward to setting up business relationship with you and hope to provide you with the best service and solution. Let us make a better world for our industry!



## Contact us

Tel: +86-755-8981 8866 Fax: +86-755-8427 6832

Email & Skype: info@chipsmall.com Web: www.chipsmall.com

Address: A1208, Overseas Decoration Building, #122 Zhenhua RD., Futian, Shenzhen, China



## DFLK 26

Order No.: 2280255

The illustration shows a 50-pos. version

<http://eshop.phoenixcontact.de/phoenix/treeViewClick.do?UID=2280255>

VARIOFACE panel feed-through module, for direct coupling of single signal lines of up to 2.5 mm<sup>2</sup> to flat-ribbon cable plug connector, 26-pos.

### Commercial data

EAN	4017918054366
Pack	5 pcs.
Customs tariff	85369010
Weight/Piece	0.08347 KG
Catalog page information	Page 283 (IF-2009)

<http://www.download.phoenixcontact.com>  
Please note that the data given here has been taken from the online catalog. For comprehensive information and data, please refer to the user documentation. The General Terms and Conditions of Use apply to Internet downloads.

### Technical data

#### General data

Nominal voltage U <sub>N</sub>	< 50 V AC
	60 V DC
Max. current carrying capacity per branch	1 A
Number of positions	26
Width	39 mm
Height	49 mm
Depth	83.4 mm
Status display	No
Ambient temperature (operation)	-20 °C ... 45 °C

Ambient temperature (storage/transport)	-20 °C ... 70 °C
Test voltage	500 V (50 Hz, 1 min.)
Mounting position	Any
Standards/regulations	IEC 60664
	DIN EN 50178
	IEC 62103

**Connection data**

Connection 1	PCB connection
Connection in acc. with standard	IEC / EN
Type of connection	Screw connection
Conductor cross section solid min.	0.2 mm <sup>2</sup>
Conductor cross section solid max.	4 mm <sup>2</sup>
Conductor cross section stranded min.	0.2 mm <sup>2</sup>
Conductor cross section stranded max.	2.5 mm <sup>2</sup>
Conductor cross section AWG/kcmil min.	24
Conductor cross section AWG/kcmil max	12
Stripping length	8 mm
Screw thread	M3
Connection 2	Flat-ribbon cable connector in acc. with IEC 60603-13
Type of connection	Pluggable
Number of positions	26

**Certificates / Approvals**

Certification

GOST

**Accessories**

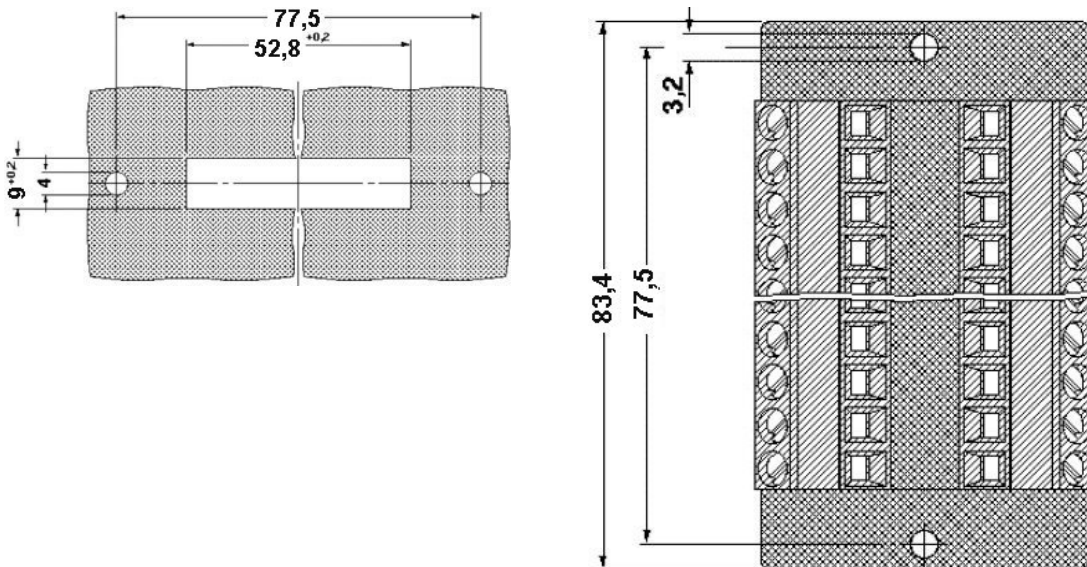
Item	Designation	Description
<b>Cable/conductor</b>		
2299385	FLK 26/EZ-DR/ 50/KONFEK	Round cable set, with two 26-pos. socket strips, (1:1 connection), cable length: 0.5 m
2299398	FLK 26/EZ-DR/ 100/KONFEK	Round cable set, with two 26-pos. socket strips (1:1 connection), cable length: 1 m

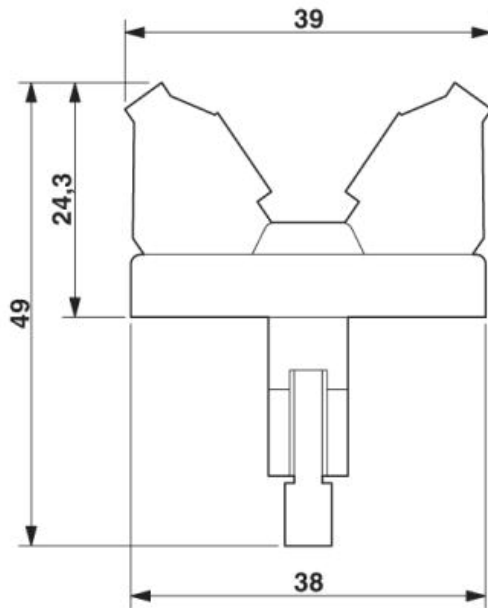


2299408	FLK 26/EZ-DR/ 150/KONFEK	Round cable set, with two 26-pos. socket strips (1:1 connection), cable length: 1.5 m
2299424	FLK 26/EZ-DR/ 300/KONFEK	Round cable set, with two 26-pos. socket strips (1:1 connection), cable length: 3 m
2299437	FLK 26/EZ-DR/ 400/KONFEK	Round cable set, with two 26-pos. socket strips (1:1 connection), cable length: 4 m
2299440	FLK 26/EZ-DR/ 600/KONFEK	Round cable set, with two 26-pos. socket strips (1:1 connection), cable length: 6 m
2299453	FLK 26/EZ-DR/ 800/KONFEK	Round cable set, with two 26-pos. socket strips (1:1 connection), cable length: 8 m
2299466	FLK 26/EZ-DR/1000/KONFEK	Round cable set, with two 26-pos. socket strips (1:1 connection), cable length: 10 m
2295059	FLK EZ-DR.../.../...	Round cable, with preassembly, not shielded, variable cable length

### Diagrams/Drawings

Dimensioned drawing





**Address**

PHOENIX CONTACT Inc., USA  
586 Fulling Mill Road  
Middletown, PA 17057, USA  
Phone (800) 888-7388  
Fax (717) 944-1625  
<http://www.phoenixcon.com>



© 2010 Phoenix Contact  
Technical modifications reserved;