



Chipsmall Limited consists of a professional team with an average of over 10 year of expertise in the distribution of electronic components. Based in Hongkong, we have already established firm and mutual-benefit business relationships with customers from,Europe,America and south Asia,supplying obsolete and hard-to-find components to meet their specific needs.

With the principle of “Quality Parts,Customers Priority,Honest Operation,and Considerate Service”,our business mainly focus on the distribution of electronic components. Line cards we deal with include Microchip,ALPS,ROHM,Xilinx,Pulse,ON,Everlight and Freescale. Main products comprise IC,Modules,Potentiometer,IC Socket,Relay,Connector.Our parts cover such applications as commercial,industrial, and automotives areas.

We are looking forward to setting up business relationship with you and hope to provide you with the best service and solution. Let us make a better world for our industry!



Contact us

Tel: +86-755-8981 8866 Fax: +86-755-8427 6832

Email & Skype: info@chipsmall.com Web: www.chipsmall.com

Address: A1208, Overseas Decoration Building, #122 Zhenhua RD., Futian, Shenzhen, China

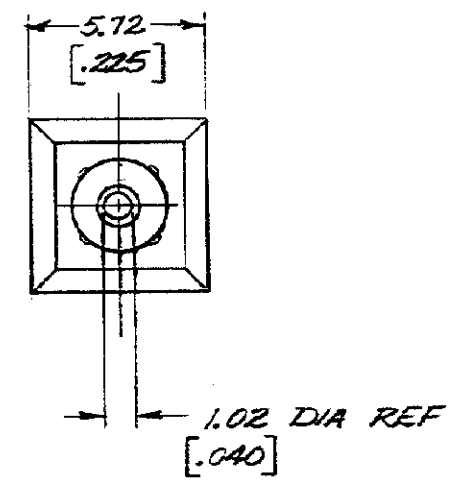
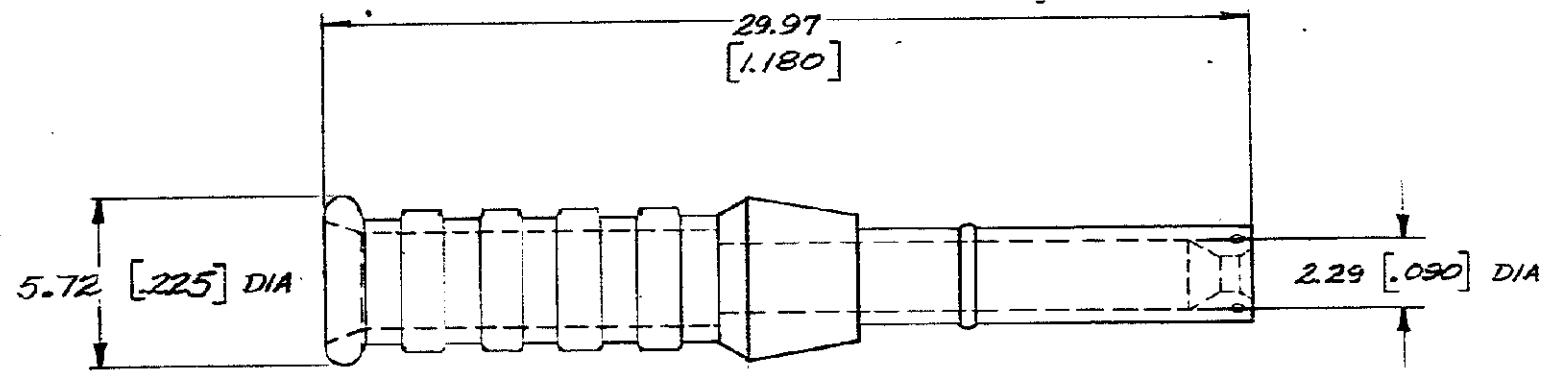


4
DRAWING MADE IN THIRD ANGLE PROJECTION

© COPYRIGHT 19 BY AMP INCORPORATED, HARRISBURG, PA.
ALL INTERNATIONAL RIGHTS RESERVED. AMP INCORPORATED PRODUCTS
COVERED BY U. S. AND FOREIGN PATENTS AND/OR PATENTS PENDING.

2 1 LOC CE DIST 16

REVISIONS						
P	F	ZONE	LTR	DESCRIPTION	DATE	APPROVED
✓	✓		0	RELEASED NFR 81-2513	3/31/81	JM
✓	✓		A	REVISED CONFIGURATION OF NOSE; C81-231	3/22/81	JM
✓	✓		B	ADD CHAMFER C81-335	4/23/81	JM
✓	✓		C	REVISED DIM C81-679	12/21/81	JM
✓	✓		D	REV. PER ECN C83-261	3-23-83	FK
✓	✓		E	REV NOSE C83-417	6-6-83	JM
✓	✓		F	REV PER ECN CE-74	2-28-84	WM/DH
✓	✓		G	REV PER ECN CE-275	12-3-84	WM/DH



BLACK	228041-1
COLOR	PART NO

METRIC DIMENSIONS IN MM
DIMENSIONS IN []
ARE IN INCHES

CODE IDENT	DWG SIZE	PART NO OR IDENTIFYING NO	NOMENCLATURE OR DESCRIPTION	ITEM NO
REVISION OF EACH ASSY NO (WHEN BLANK, USE DWG REVISION)				
QTY REQD PER ASSY		PARTS LIST		
UNLESS OTHERWISE SPECIFIED DIMENSIONS ARE IN INCHES. TOLERANCES ON: DECIMALS ±.25 [.010] ANGLES ±.25		CONTRACT NO	AMP INCORPORATED Harrisburg, Pa.	
MATERIAL	NYLON	DB	NAME	
FINISH	#	APPR	PLUG, SIMPLEX, OPTIMATE DIP	
		DSGN APPD	SIZE	CODE IDENT NO
		OTHER APPD	B	00779
			DRAWING NO	228041
			SCALE	SHEET
			NTS	