



Chipsmall Limited consists of a professional team with an average of over 10 year of expertise in the distribution of electronic components. Based in Hongkong, we have already established firm and mutual-benefit business relationships with customers from,Europe,America and south Asia,supplying obsolete and hard-to-find components to meet their specific needs.

With the principle of “Quality Parts,Customers Priority,Honest Operation,and Considerate Service”,our business mainly focus on the distribution of electronic components. Line cards we deal with include Microchip,ALPS,ROHM,Xilinx,Pulse,ON,Everlight and Freescale. Main products comprise IC,Modules,Potentiometer,IC Socket,Relay,Connector.Our parts cover such applications as commercial,industrial, and automotives areas.

We are looking forward to setting up business relationship with you and hope to provide you with the best service and solution. Let us make a better world for our industry!



Contact us

Tel: +86-755-8981 8866 Fax: +86-755-8427 6832

Email & Skype: info@chipsmall.com Web: www.chipsmall.com

Address: A1208, Overseas Decoration Building, #122 Zhenhua RD., Futian, Shenzhen, China

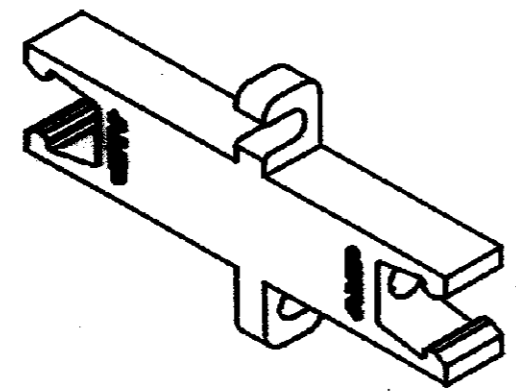
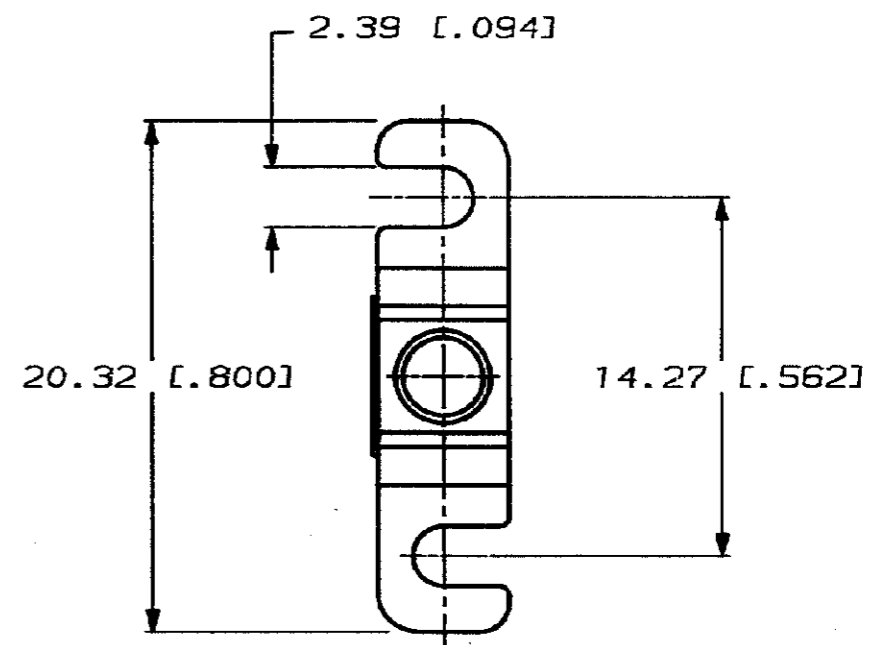
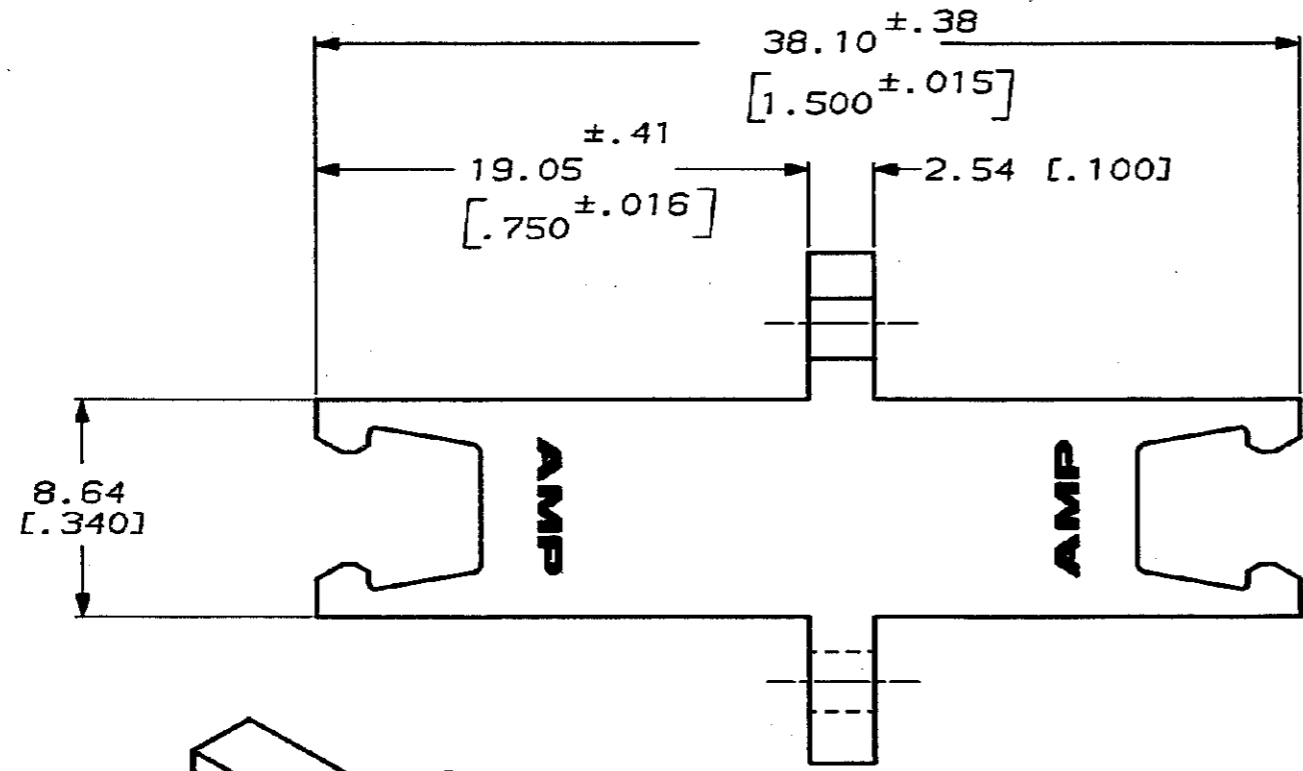


DRAWING MADE IN THIRD ANGLE PROJECTION

THIS DRAWING IS UNPUBLISHED. RELEASED FOR PUBLICATION, 19
 © COPYRIGHT 19 BY AMP INCORPORATED, HARRISBURG, PA. ALL INTERNATIONAL RIGHTS RESERVED. AMP PRODUCTS MAY BE COVERED BY U.S. AND FOREIGN PATENTS AND/OR PATENTS PENDING.

LOC	DIST	P	F	ZONE	LTR	DESCRIPTION	DATE	APPROVED
CE	16				D	REDRAW W/ CHG CE-660	9/15/86	DEP

228042-1 1. DIMENSIONS IN [] ARE IN INCHES
 2. PRODUCT INTERMATEABLE WITH DNP CONNECTORS PER IS 2974



METRIC

UNLESS OTHERWISE SPECIFIED DIMENSIONS ARE IN MM TOLERANCES ON:		DR <i>[Signature]</i> 9/15/86		PART NO	
2 PL DEC ± .25 [.010]	3 PL DEC ± -	APPR <i>[Signature]</i> 9-15-86	AMPD <i>[Signature]</i> 9-15-86	AMP INCORPORATED Harrisburg, Pa. 17105	
MATERIAL THERMOPLASTIC COLOR: BLACK	FINISH -	PRODUCT SPEC 108-45104	APPLICATION SPEC IS SHEET 2974	NAME SGL POSITION BULKHEAD RCPT, DNP, OPTIMATE	
		WEIGHT 1.7 G	SIZE B	FSCM NO 00779	DRAWING NO 228042
			SCALE 4:1	SHEET 1 OF 1	