



Chipsmall Limited consists of a professional team with an average of over 10 year of expertise in the distribution of electronic components. Based in Hongkong, we have already established firm and mutual-benefit business relationships with customers from,Europe,America and south Asia,supplying obsolete and hard-to-find components to meet their specific needs.

With the principle of “Quality Parts,Customers Priority,Honest Operation,and Considerate Service”,our business mainly focus on the distribution of electronic components. Line cards we deal with include Microchip,ALPS,ROHM,Xilinx,Pulse,ON,Everlight and Freescale. Main products comprise IC,Modules,Potentiometer,IC Socket,Relay,Connector.Our parts cover such applications as commercial,industrial, and automotives areas.

We are looking forward to setting up business relationship with you and hope to provide you with the best service and solution. Let us make a better world for our industry!



Contact us

Tel: +86-755-8981 8866 Fax: +86-755-8427 6832

Email & Skype: info@chipsmall.com Web: www.chipsmall.com

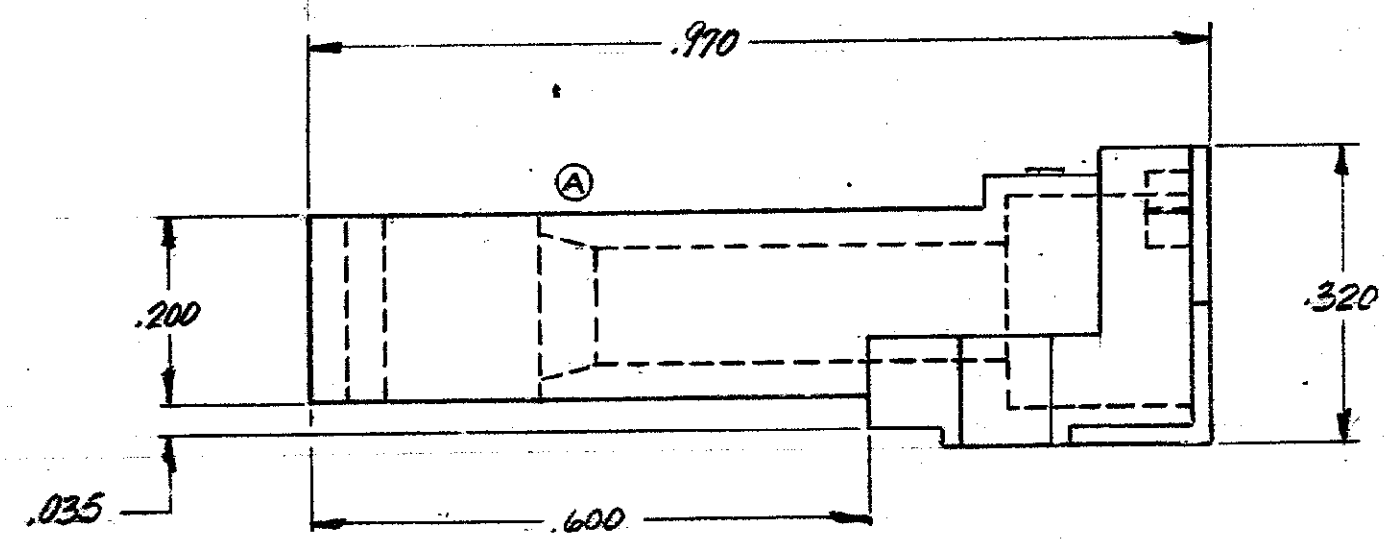
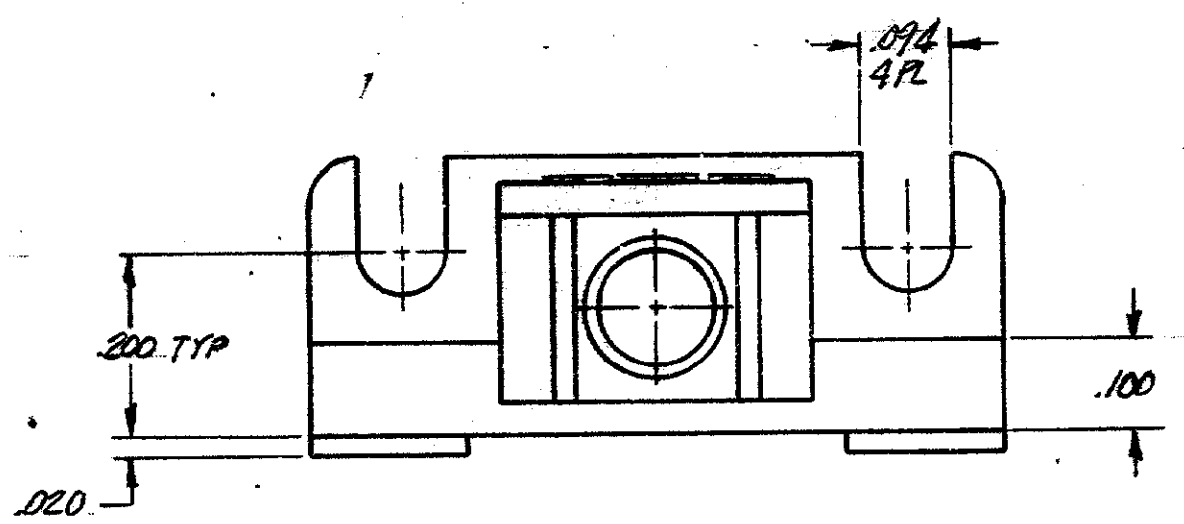
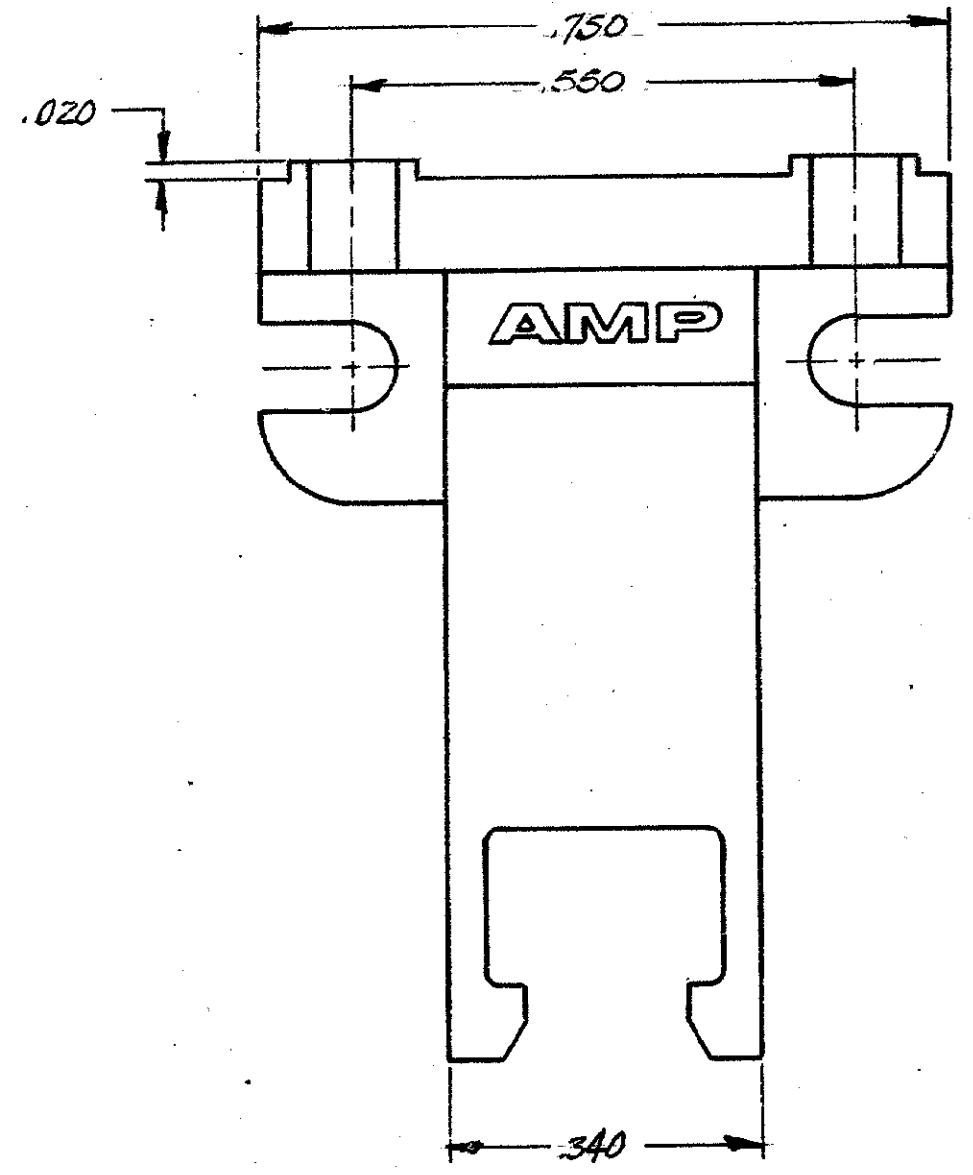
Address: A1208, Overseas Decoration Building, #122 Zhenhua RD., Futian, Shenzhen, China




DRAWING MADE IN AMERICAN PROJECTION

© 1951 BY AMP INCORPORATED. ALL RIGHTS RESERVED. AMP PRODUCTS COVERED BY PATENTS AND/OR PATENTS PENDING.

REVISIONS				
ZONE	LTR	DESCRIPTION	DATE	APPROVED
0		RELEASED NPS 81-2515	3/30/81	JBL
A		REVISED CONFIGURATION OF I.D. C81-231	4/2/81	JBL
B		REV. PER ECN C83-261	3/23/83	P.K. 9008



UNLESS OTHERWISE SPECIFIED, DIMENSIONS ARE IN INCHES TOLERANCES ON: DECIMALS ±.010 ANGLES ±	CONTRACT NO.	 AMP INCORPORATED HARRISBURG, PENNSYLVANIA	
	DR <i>J. Bluff</i> 3/30/81		
MATERIAL NYLON, COLOR: BLACK	CHK <i>R. Melton</i> 3/31/81	MOUNT, ACTIVE DEVICE	
	APPD <i>Bernie Cason</i> 3/31/81	OPTIMATE DNP	
	REL <i>Michael Sand</i> 4-1-81	TO-18 TYPE	
	DSGN APPD	SIZE	CODE IDENT NO.
OTHER APPD	C	00779	228043-1
	SCALE		SHEET 1 of 1