



Chipsmall Limited consists of a professional team with an average of over 10 year of expertise in the distribution of electronic components. Based in Hongkong, we have already established firm and mutual-benefit business relationships with customers from,Europe,America and south Asia,supplying obsolete and hard-to-find components to meet their specific needs.

With the principle of "Quality Parts,Customers Priority,Honest Operation,and Considerate Service",our business mainly focus on the distribution of electronic components. Line cards we deal with include Microchip,ALPS,ROHM,Xilinx,Pulse,ON,Everlight and Freescale. Main products comprise IC,Modules,Potentiometer,IC Socket,Relay,Connector.Our parts cover such applications as commercial,industrial, and automotives areas.

We are looking forward to setting up business relationship with you and hope to provide you with the best service and solution. Let us make a better world for our industry!



Contact us

Tel: +86-755-8981 8866 Fax: +86-755-8427 6832

Email & Skype: info@chipsmall.com Web: www.chipsmall.com

Address: A1208, Overseas Decoration Building, #122 Zhenhua RD., Futian, Shenzhen, China



4

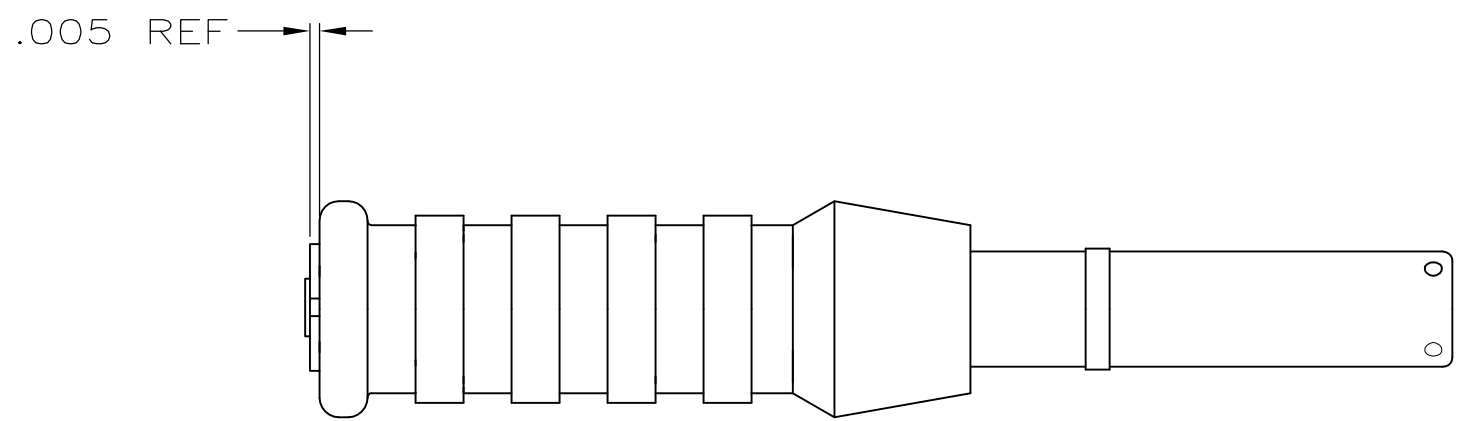
3

2


1

THIS DRAWING IS UNPUBLISHED. RELEASED FOR PUBLICATION - , - .
 © COPYRIGHT - By - ALL RIGHTS RESERVED.

LOC	DIST	REVISIONS					
CE	16	P	LTR	DESCRIPTION	DATE	DWN	APVD
			H1	REVISED PER ECO-11-005139	21MAR11	RK	HMR



OBSOLETE	228087-2
	228087-1
	PART NO.

THIS DRAWING IS A CONTROLLED DOCUMENT.		DWN	K.GLATFELTER	13NOV01	 TE Connectivity						
DIMENSIONS: mm [INCHES]		CHK	S.BUCHTER	28NOV01							
TOLERANCES UNLESS OTHERWISE SPECIFIED:		APVD	S.BUCHTER	28NOV01				NAME	SIMPLEX PLUG / RETAINER ASS'Y OPTIMATE D.N.P.		
0 PLC ± - 1 PLC ± - 2 PLC ± - 3 PLC ± - 4 PLC ± - ANGLES ± -		PRODUCT SPEC		-				SIZE	A3		
MATERIAL THERMOPLASTIC & BRASS		FINISH		-		CAGE CODE	00779	DRAWING NO	C-228087	RESTRICTED TO	-
METRIC		CUSTOMER DRAWING			SCALE	5:1	SHEET	1 OF 1	REV	H1	