



Chipsmall Limited consists of a professional team with an average of over 10 year of expertise in the distribution of electronic components. Based in Hongkong, we have already established firm and mutual-benefit business relationships with customers from,Europe,America and south Asia,supplying obsolete and hard-to-find components to meet their specific needs.

With the principle of “Quality Parts,Customers Priority,Honest Operation,and Considerate Service”,our business mainly focus on the distribution of electronic components. Line cards we deal with include Microchip,ALPS,ROHM,Xilinx,Pulse,ON,Everlight and Freescale. Main products comprise IC,Modules,Potentiometer,IC Socket,Relay,Connector.Our parts cover such applications as commercial,industrial, and automotives areas.

We are looking forward to setting up business relationship with you and hope to provide you with the best service and solution. Let us make a better world for our industry!



## Contact us

Tel: +86-755-8981 8866 Fax: +86-755-8427 6832

Email & Skype: info@chipsmall.com Web: www.chipsmall.com

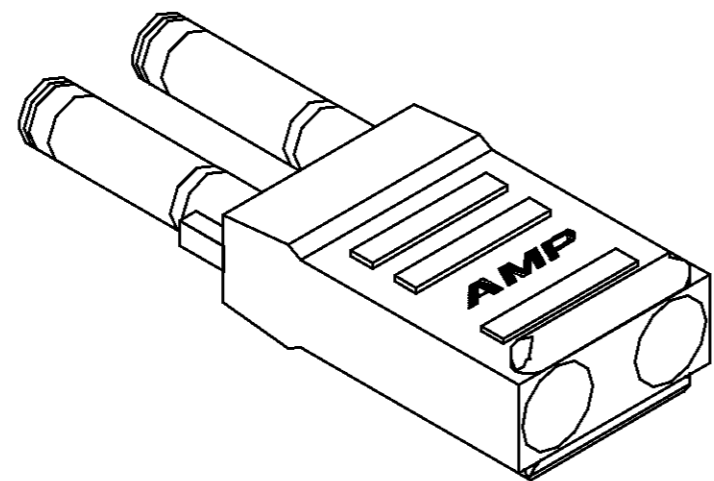
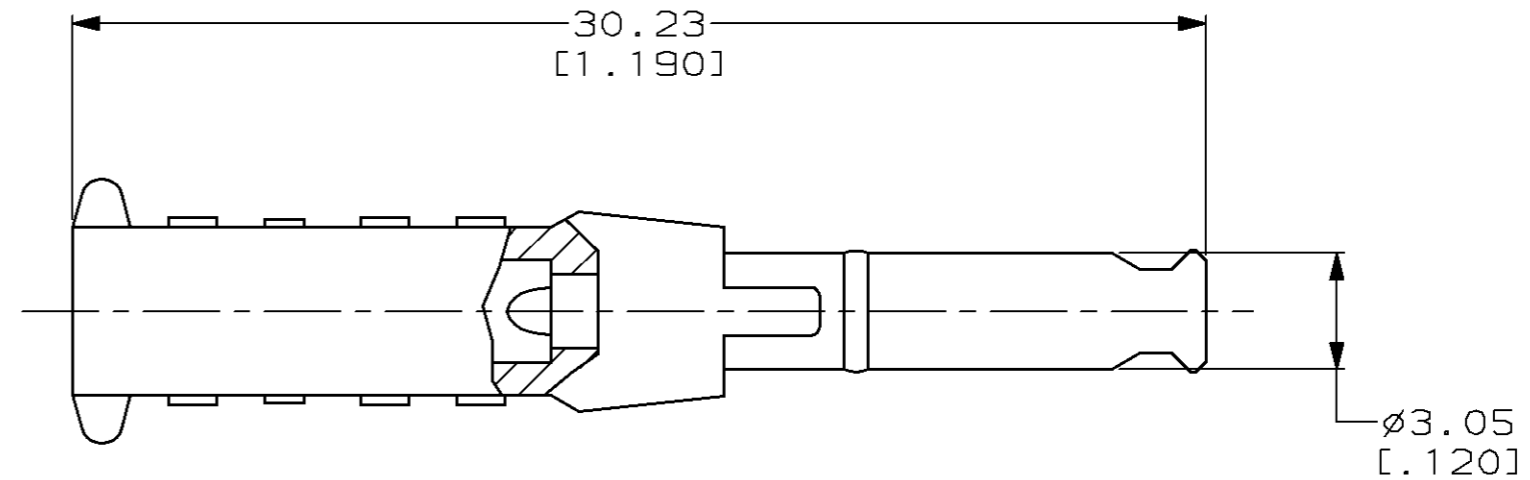
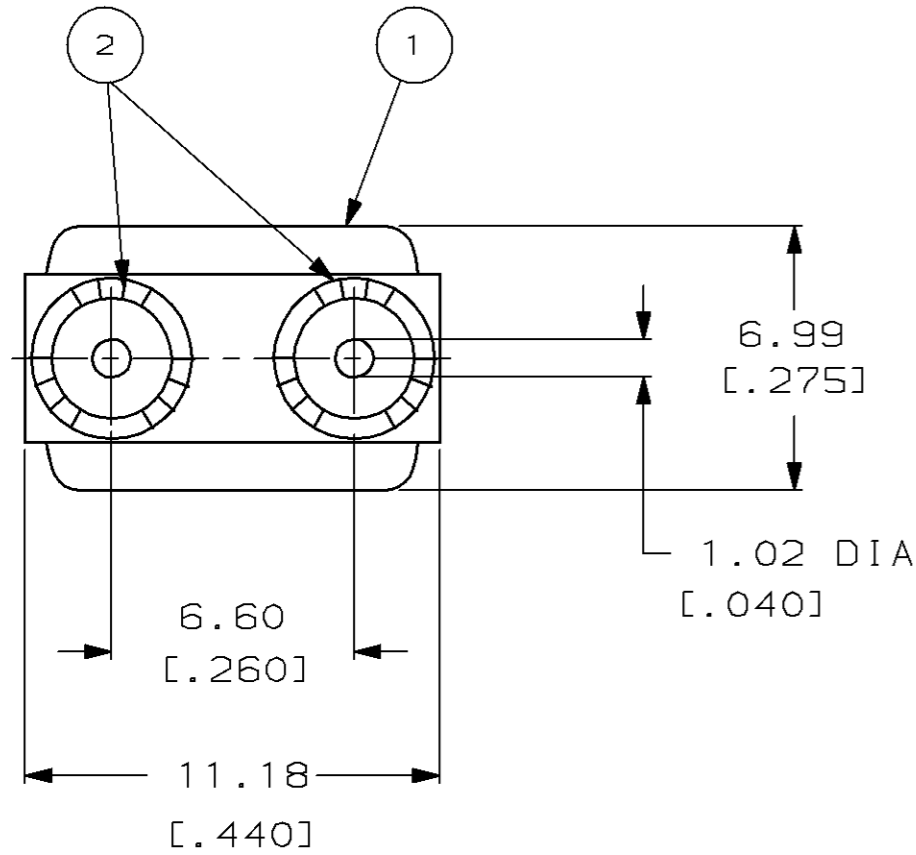
Address: A1208, Overseas Decoration Building, #122 Zhenhua RD., Futian, Shenzhen, China



THIS DRAWING IS UNPUBLISHED. RELEASED FOR PUBLICATION ,19 .  
 © COPYRIGHT 19 BY AMP INCORPORATED, HARRISBURG, PA. ALL INTERNATIONAL RIGHTS RESERVED. AMP PRODUCTS MAY BE COVERED BY U.S. AND FOREIGN PATENTS AND/OR PATENTS PENDING.

LOC	DIST	P	F	REVISIONS				
				ZONE	LTR	DESCRIPTION	DATE	APPROVED
CE	16				D	REDRAW W/CHG CE-783		
					E	REVISED PER 0A00-0049-99	19FEB99	KM

1. DIMENSIONS IN [ ] ARE IN INCHES



METRIC

QTY REQD PER ASSY	PART NO	DESCRIPTION	ITEM NO
2	228046-1	RETENTION CLIP	2
1	228044-1	DUAL POSITION PLUG	1

UNLESS OTHERWISE SPECIFIED DIMENSIONS ARE IN MM TOLERANCES ON:		DR 9-15-86 J. ZEIDERS		AMP INCORPORATED Harrisburg, Pa. 17105	
2 PL DEC ± .25 [.010]		CHK 9-15-86 W. MILLER			
3 PL DEC ± -		APPD 9-15-86 A. PLOTTS		NAME PLUG ASSY, DUAL POSITION, DNP, OPTIMATE	
MATERIAL PLUG: THERMOPLASTIC COLOR: BLACK CLIP: BRASS		APPD 9-15-86 K. MONROE		SIZE <b>B</b>	
FINISH -		PRODUCT SPEC 108-45104		FSCM NO 00779	
		APPLICATION SPEC IS SHEET 2974		DRAWING NO 228088	
		WEIGHT 1.4g		SCALE NTS	
				SHEET 1 OF 1	