



Chipsmall Limited consists of a professional team with an average of over 10 year of expertise in the distribution of electronic components. Based in Hongkong, we have already established firm and mutual-benefit business relationships with customers from,Europe,America and south Asia,supplying obsolete and hard-to-find components to meet their specific needs.

With the principle of “Quality Parts,Customers Priority,Honest Operation,and Considerate Service”,our business mainly focus on the distribution of electronic components. Line cards we deal with include Microchip,ALPS,ROHM,Xilinx,Pulse,ON,Everlight and Freescale. Main products comprise IC,Modules,Potentiometer,IC Socket,Relay,Connector.Our parts cover such applications as commercial,industrial, and automotives areas.

We are looking forward to setting up business relationship with you and hope to provide you with the best service and solution. Let us make a better world for our industry!



## Contact us

Tel: +86-755-8981 8866 Fax: +86-755-8427 6832

Email & Skype: info@chipsmall.com Web: www.chipsmall.com

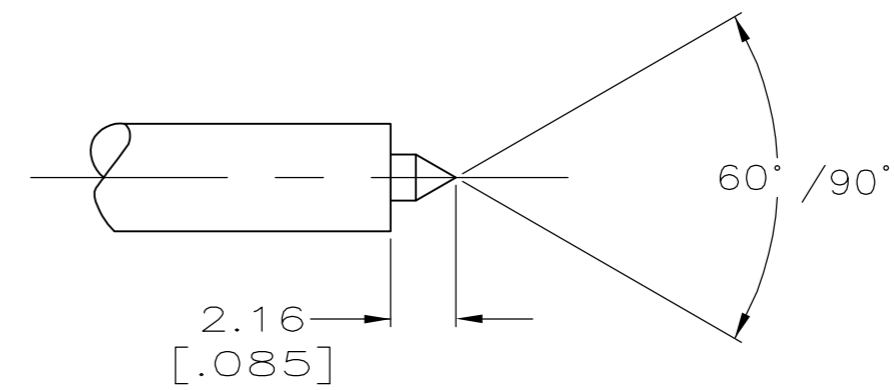
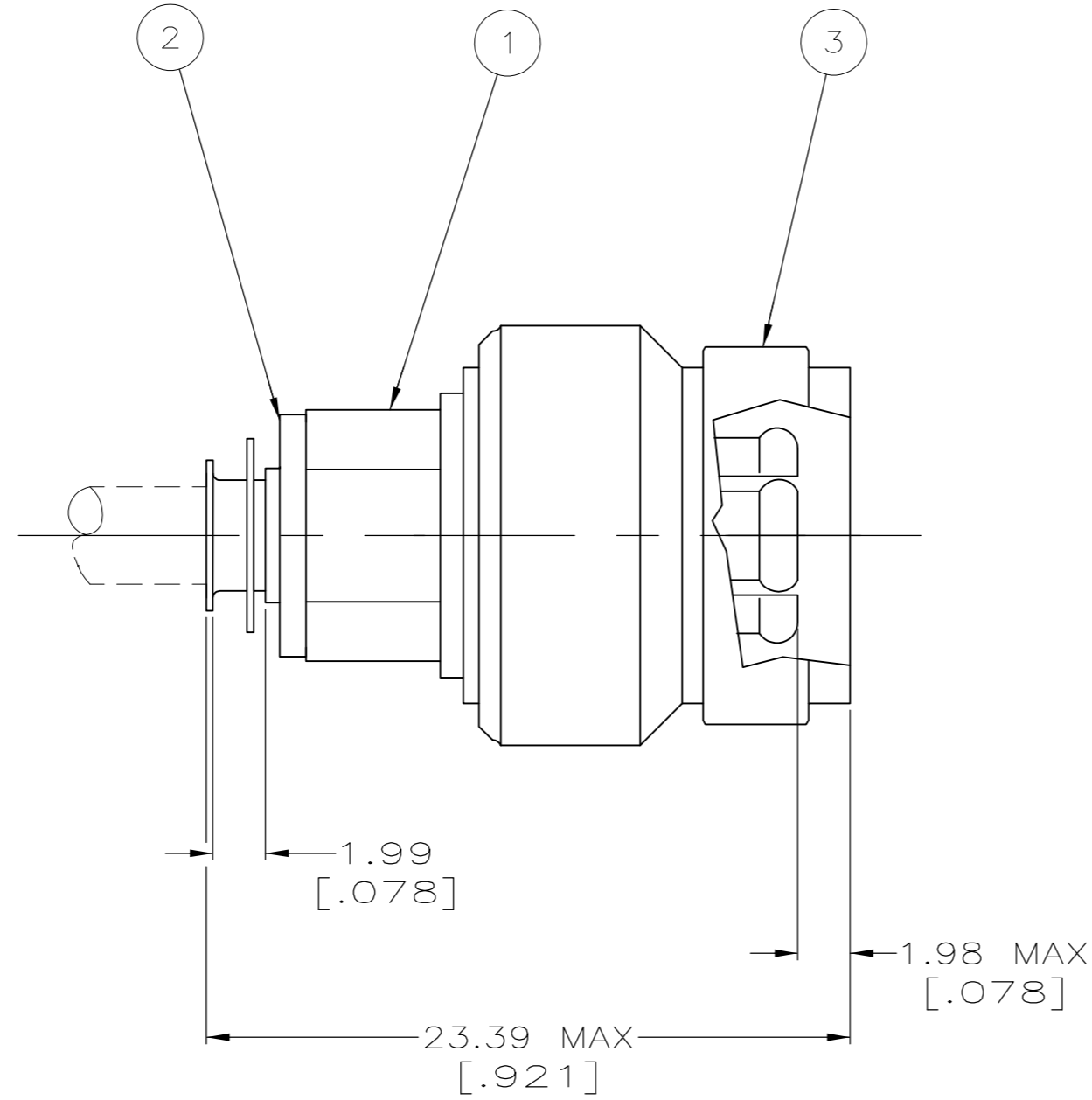
Address: A1208, Overseas Decoration Building, #122 Zhenhua RD., Futian, Shenzhen, China



THIS DRAWING IS UNPUBLISHED. RELEASED FOR PUBLICATION  
 © COPYRIGHT BY TYCO ELECTRONICS CORPORATION. ALL RIGHTS RESERVED.

LOC	DIST	REVISIONS					
		P	LTR	DESCRIPTION	DATE	DWN	APVD
AJ	16	G		RDW & REV PER 0S14-0193-04	06-09-04	JDP	JGH
		G1		REVISED PER ECO-09-020689	02AUG09	KK	AEG

- 1 USE INSTRUCTION SHEET 408-2990
- 2 OBSOLETE PARTS: OBSOLETE CIS STREAMLINING PER D.RENAUD/D.SINISI



OBSOLETE	RG-405/U, .086 CABLE OD	-	-	-	-	228505-1	228312-1	228179-4
	RG-402 OR MI7/130	220235-1	312644-1	59980-1	-	228446-2	228312-2	228179-3
2 OBSOLETE	.141 CABLE OD, 50Ω	220235-1	220220-1	220218-1	-	228446-1	228312-1	228179-2
SUPERSEDED	.141 CABLE OD, 50Ω	59897-1	220220-2	59980-1	226181-2	228077-3	226324-1	228179-1
	FOR USE WITH CABLE	DIE SET	LOCATOR	HAND TOOL	3 COLLAR QTY=1	2 ADAPTOR ASSEMBLY QTY=1	1 PLUG ASSEMBLY QTY=1	PART NUMBER

THIS DRAWING IS A CONTROLLED DOCUMENT.

DWN	K. TOBIAS	10-27-92
CHK	M.E. COWHER	12-11-92
APVD	M.E. COWHER	12-11-92
PRODUCT SPEC		
APPLICATION SPEC		
WEIGHT	-	
CUSTOMER DRAWING		

**Tyco Electronics** Tyco Electronics Corporation  
Harrisburg, Pa 17105-3608

NAME: PLUG, TNC

SIZE	CAGE CODE	DRAWING NO	RESTRICTED TO
A2	00779	C=228179	-
SCALE	SHEET	OF	REV
4:1	1	1	G1