



Chipsmall Limited consists of a professional team with an average of over 10 year of expertise in the distribution of electronic components. Based in Hongkong, we have already established firm and mutual-benefit business relationships with customers from,Europe,America and south Asia,supplying obsolete and hard-to-find components to meet their specific needs.

With the principle of “Quality Parts,Customers Priority,Honest Operation,and Considerate Service”,our business mainly focus on the distribution of electronic components. Line cards we deal with include Microchip,ALPS,ROHM,Xilinx,Pulse,ON,Everlight and Freescale. Main products comprise IC,Modules,Potentiometer,IC Socket,Relay,Connector.Our parts cover such applications as commercial,industrial, and automotives areas.

We are looking forward to setting up business relationship with you and hope to provide you with the best service and solution. Let us make a better world for our industry!



Contact us

Tel: +86-755-8981 8866 Fax: +86-755-8427 6832

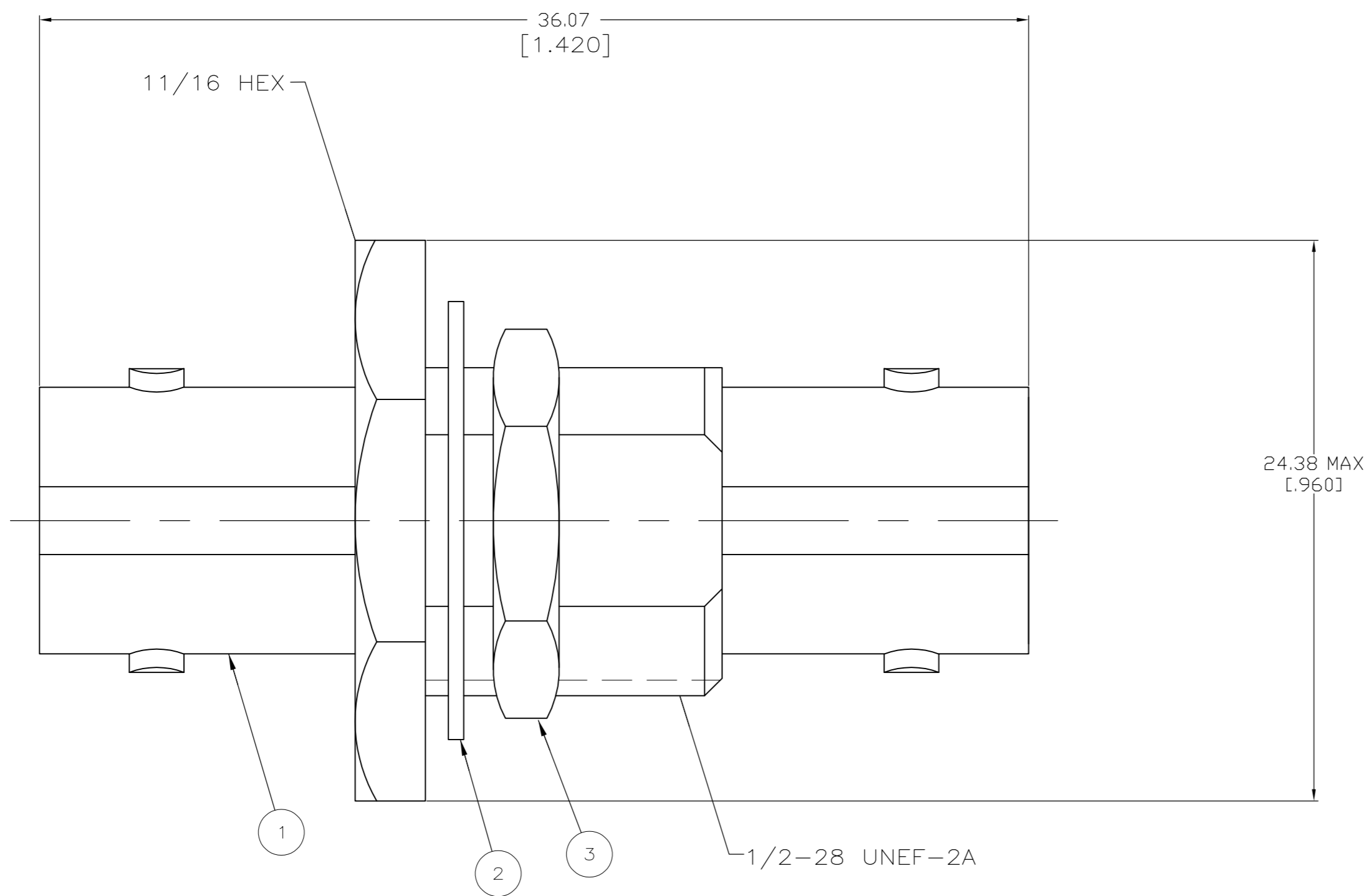
Email & Skype: info@chipsmall.com Web: www.chipsmall.com

Address: A1208, Overseas Decoration Building, #122 Zhenhua RD., Futian, Shenzhen, China

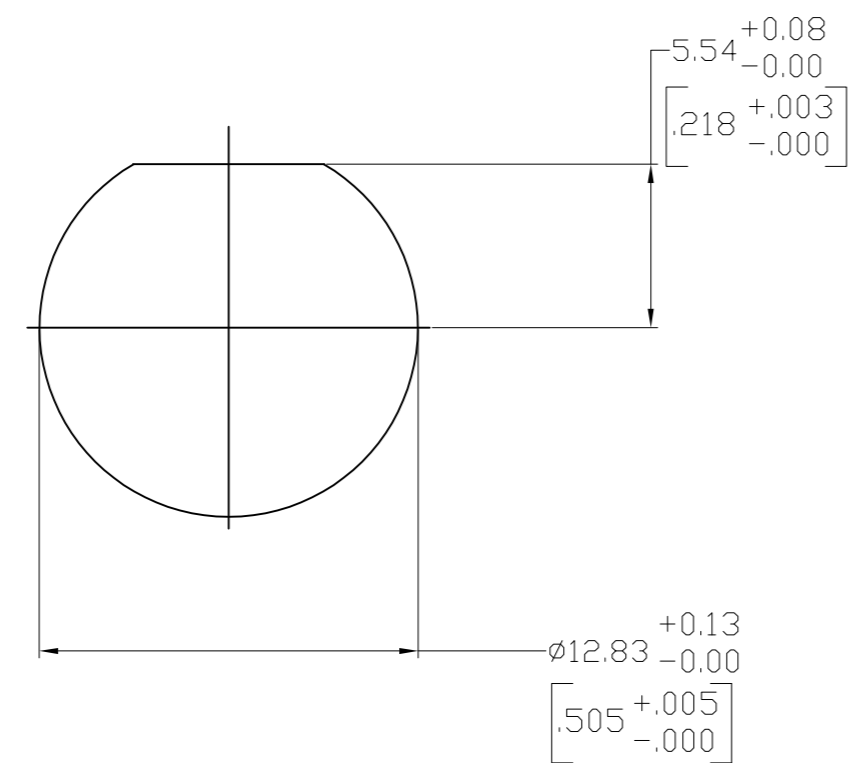


THIS DRAWING IS UNPUBLISHED. RELEASED FOR PUBLICATION
 © COPYRIGHT - By - ALL RIGHTS RESERVED.

LOC	DIST	REVISIONS			
P	LTR	DESCRIPTION	DATE	DWN	APVD
AJ	16	H1	REVISED PER ECO-11-005030	11MAR11	RK HMR



- 1. PARTS PACKAGED UNASSEMBLED
- 2. PANEL THICKNESS = 6.35 [.250] MAX



RECOMMENDED PANEL CUTOUT
 SCALE 4:1

OBSOLETE	1-329631-2	1-329632-2	228255-1	228226-4
	1-329631-2	1-329632-2	228255-2	228226-3
SUPERSEDED BY 228226-1	1-329631-2	1-329632-2	228259-1	228226-2
	1-329631-2	1-329632-2	228255-1	228226-1
	③ JAM NUT QTY=1	② LOCK WASHER QTY=1	① JACK ADAPTOR ASSEMBLY QTY=1	PART NUMBER

THIS DRAWING IS A CONTROLLED DOCUMENT.		DWN M.E. COWHER 12JUN92	TE TE Connectivity	
DIMENSIONS: mm		CHK M. PHILLIPS 22JUN92		
TOLERANCES UNLESS OTHERWISE SPECIFIED:		APVD M. PHILLIPS 22JUN92	NAME JACK - JACK ADAPTOR, BND, BNC	
0 PLC ± -	1 PLC ± -	PRODUCT SPEC	SIZE CAGE CODE DRAWING NO RESTRICTED TO	
2 PLC ± -	3 PLC ± -	APPLICATION SPEC	A2 00779 C=228226	
4 PLC ± -	ANGLES ± -	WEIGHT -	SCALE 5:1 SHEET 1 OF 1 REV H1	
MATERIAL -	FINISH -	CUSTOMER DRAWING		