



Chipsmall Limited consists of a professional team with an average of over 10 year of expertise in the distribution of electronic components. Based in Hongkong, we have already established firm and mutual-benefit business relationships with customers from,Europe,America and south Asia,supplying obsolete and hard-to-find components to meet their specific needs.

With the principle of “Quality Parts,Customers Priority,Honest Operation,and Considerate Service”,our business mainly focus on the distribution of electronic components. Line cards we deal with include Microchip,ALPS,ROHM,Xilinx,Pulse,ON,Everlight and Freescale. Main products comprise IC,Modules,Potentiometer,IC Socket,Relay,Connector.Our parts cover such applications as commercial,industrial, and automotives areas.

We are looking forward to setting up business relationship with you and hope to provide you with the best service and solution. Let us make a better world for our industry!



Contact us

Tel: +86-755-8981 8866 Fax: +86-755-8427 6832

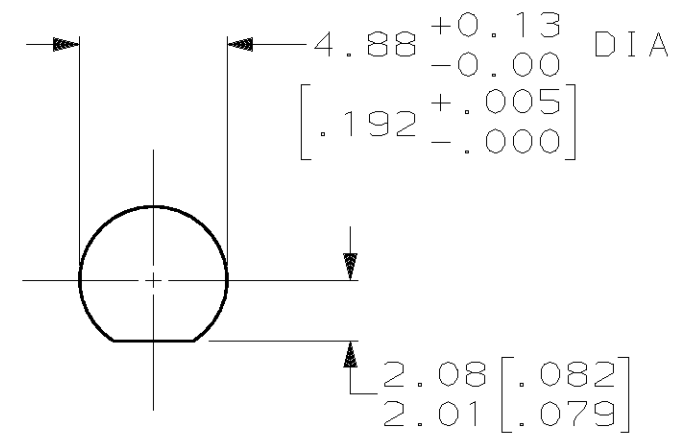
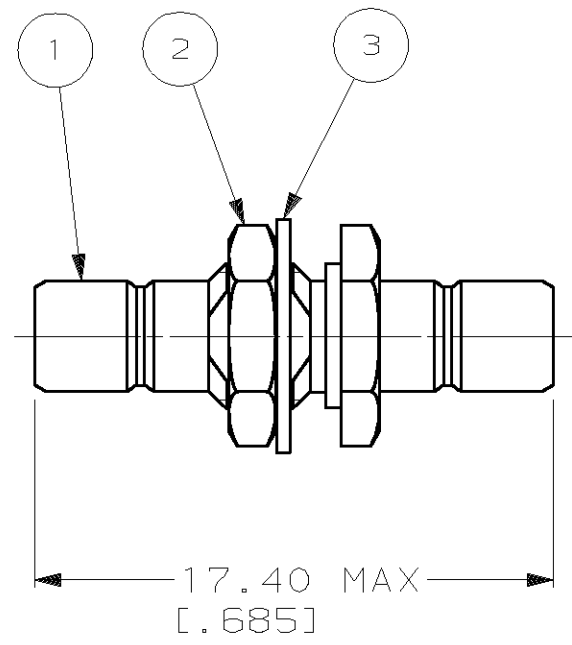
Email & Skype: info@chipsmall.com Web: www.chipsmall.com

Address: A1208, Overseas Decoration Building, #122 Zhenhua RD., Futian, Shenzhen, China



THIS DRAWING IS UNPUBLISHED. RELEASED FOR PUBLICATION
 © COPYRIGHT ALL INTERNATIONAL RIGHTS RESERVED.

LOC	DIST	P	F	REVISIONS			DATE	APPD
AJ	16			ZONE	LTR	DESCRIPTION		
						H1 REVISED PER ECO-11-005294	11APR11	HMR



SUGGESTED PANEL CUT-OUT

SUPSD BY 228553-1	415001-2	414969-2	228569-2	228553-2
	415001-2	414969-2	228569-1	228553-1
	③ LOCKWASHER QTY=1	② JAM NUT QTY=1	① BULKHEAD ASSEMBLY QTY=1	PART NO

DO NOT SCALE PRINT. UNLESS SPECIFIED DIMENSIONS IN mm [INCHES] TOLERANCES ON: 2 PLC DEC ± - 3 PLC DEC ± .008 ANGLES ± -	DR <i>K. Heilig</i> 6/11/92	
	CHK G. MICHAEL 7/8/92	
	APPD G. MICHAEL 7/8/92	
	APPD K. HEILIG 7/13/92	
MATERIAL -	PRODUCT SPEC -	NAME ADAPTER, BULKHEAD, SMB
FINISH -	APPLICATION SPEC -	SIZE B
WEIGHT -		CAGE CODE 00779
		DRAWING NO 228553
		SCALE 4:1
		SHEET 1 OF 1