



Chipsmall Limited consists of a professional team with an average of over 10 year of expertise in the distribution of electronic components. Based in Hongkong, we have already established firm and mutual-benefit business relationships with customers from,Europe,America and south Asia,supplying obsolete and hard-to-find components to meet their specific needs.

With the principle of “Quality Parts,Customers Priority,Honest Operation,and Considerate Service”,our business mainly focus on the distribution of electronic components. Line cards we deal with include Microchip,ALPS,ROHM,Xilinx,Pulse,ON,Everlight and Freescale. Main products comprise IC,Modules,Potentiometer,IC Socket,Relay,Connector.Our parts cover such applications as commercial,industrial, and automotives areas.

We are looking forward to setting up business relationship with you and hope to provide you with the best service and solution. Let us make a better world for our industry!



Contact us

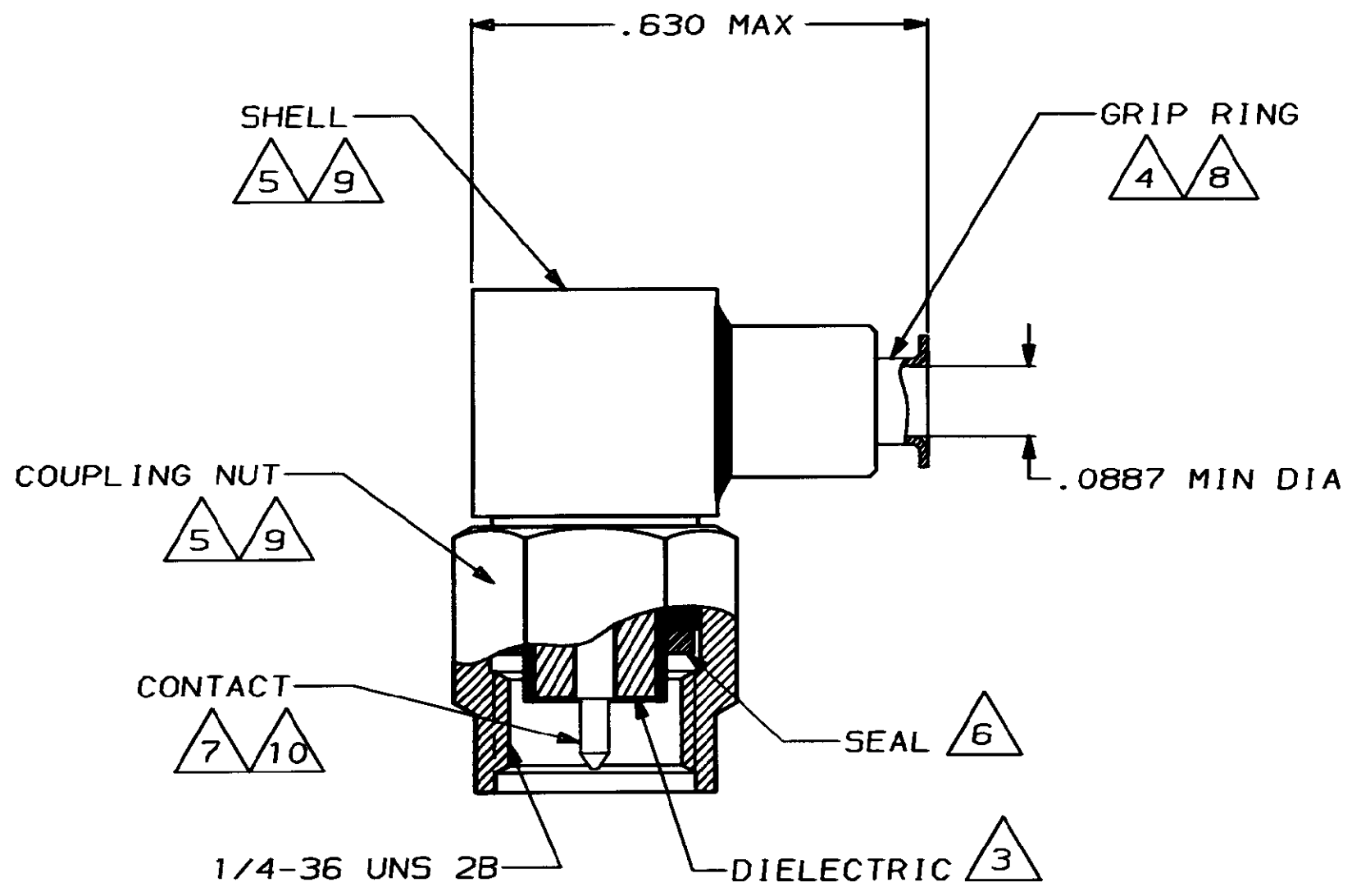
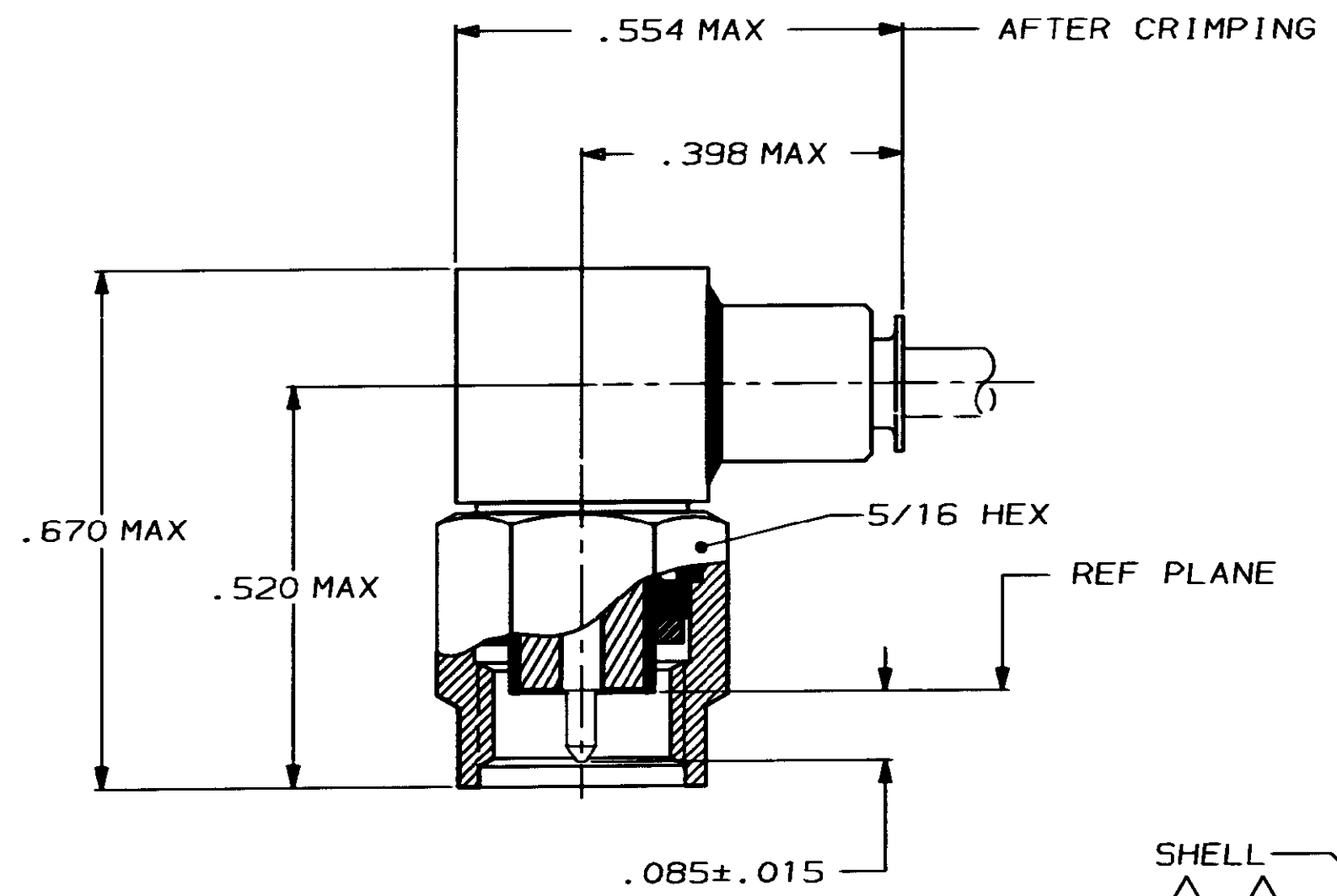
Tel: +86-755-8981 8866 Fax: +86-755-8427 6832

Email & Skype: info@chipsmall.com Web: www.chipsmall.com

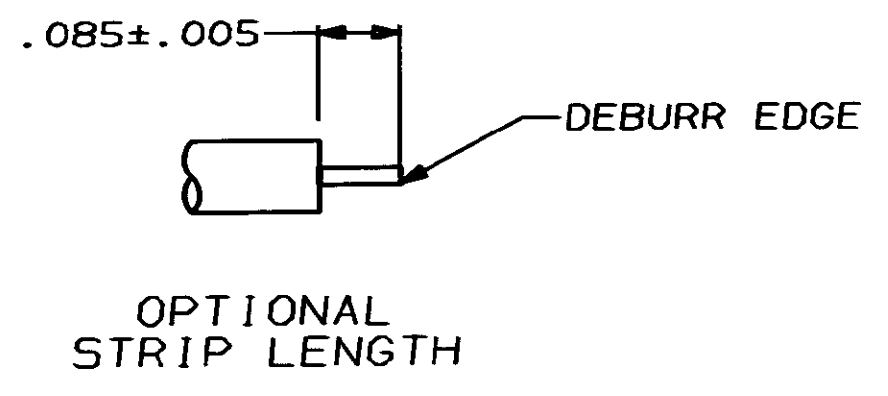
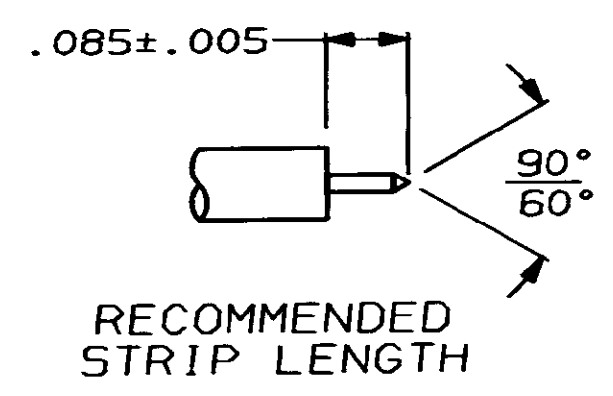
Address: A1208, Overseas Decoration Building, #122 Zhenhua RD., Futian, Shenzhen, China



LOC	DIST	P	F	ZONE	LTR	DESCRIPTION	DATE	APPROVED
AJ	16				C	REV & REDRAWN PER AJ-2627	12-7-87	RR/DH
					D	REV PER AJ-3649	2-15-89	CB



- FOR USE WITH: RG-405/U, .086 SEMI RIGID CABLE
- SEE I.S. 6788
- PTFE PER MIL-P-19468
- BRASS PER MIL-C-50
- STAINLESS STEEL PER ASTM-A-582
- SILICONE RUBBER PER ZZ-R-765
- BERYLLIUM COPPER PER QQ-C-530
- NICKEL PL PER QQ-N-290
- PASSIVATION PER QQ-P-35
- GOLD PL PER MIL-G-45204
- .500 MIN LENGTH OF STRAIGHT CABLE REQUIRED TO APPLY THE CONNECTOR
- 00779 M39012/80-3307



UNLESS OTHERWISE SPECIFIED DIMENSIONS ARE IN INCHES TOLERANCES ON :		DR R. RUTH 12-7-87	228583-1	
2 PL DEC ± —		CHK D. HEIDE 12-7-87	PART NO	
3 PL DEC ± —		APPD M. WALMSLEY 12-8-87	AMP INCORPORATED Harrisburg, Pa. 17105	
ANGLES ± —		APPD R. RUTH 12-10-87	NAME	
MATERIAL	3 THRU 7	PRODUCT SPEC 108-12055	PLUG, RIGHT ANGLE, MIL-F, SERIES SMA	
FINISH	8 THRU 10	APPLICATION SPEC	SIZE C	FSCM NO 00779
WEIGHT		WEIGHT	DRAWING NO	228583-1
			SCALE 5:1	SHEET 1 OF 1