



Chipsmall Limited consists of a professional team with an average of over 10 year of expertise in the distribution of electronic components. Based in Hongkong, we have already established firm and mutual-benefit business relationships with customers from,Europe,America and south Asia,supplying obsolete and hard-to-find components to meet their specific needs.

With the principle of “Quality Parts,Customers Priority,Honest Operation,and Considerate Service”,our business mainly focus on the distribution of electronic components. Line cards we deal with include Microchip,ALPS,ROHM,Xilinx,Pulse,ON,Everlight and Freescale. Main products comprise IC,Modules,Potentiometer,IC Socket,Relay,Connector.Our parts cover such applications as commercial,industrial, and automotives areas.

We are looking forward to setting up business relationship with you and hope to provide you with the best service and solution. Let us make a better world for our industry!



## Contact us

Tel: +86-755-8981 8866 Fax: +86-755-8427 6832

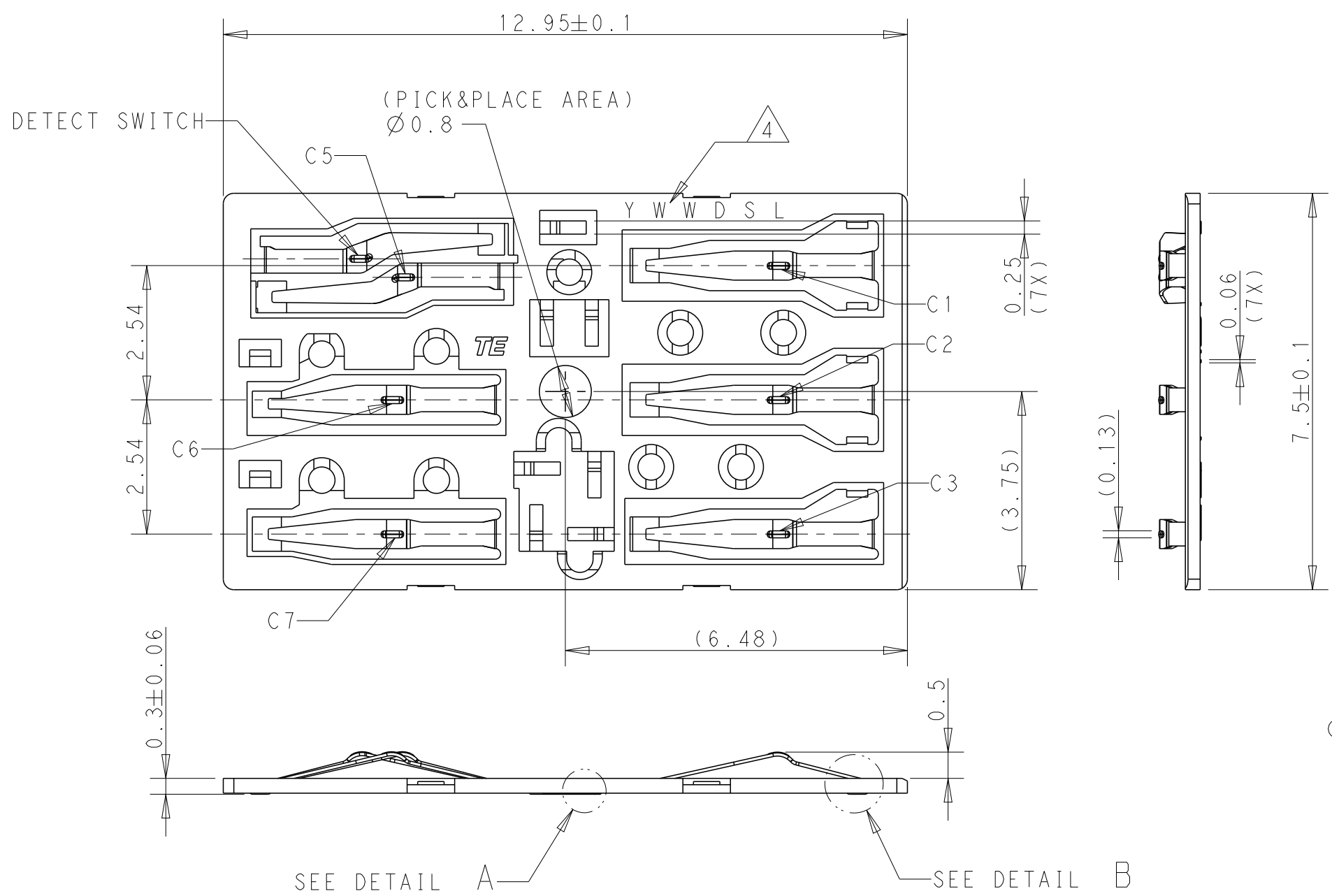
Email & Skype: info@chipsmall.com Web: www.chipsmall.com

Address: A1208, Overseas Decoration Building, #122 Zhenhua RD., Futian, Shenzhen, China

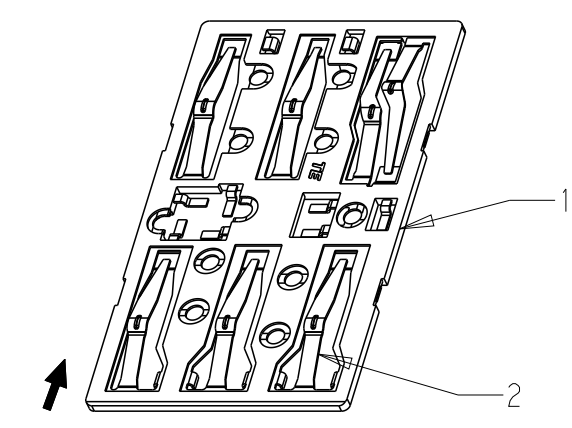


THIS DRAWING IS UNPUBLISHED. RELEASED FOR PUBLICATION 20  
 © COPYRIGHT 20 BY - ALL RIGHTS RESERVED.

REVISIONS					
P	LTR	DESCRIPTION	DATE	DWN	APVD
B		REVISED PER ECR-15-014913	12OCT2015	R.Z.	C.W.
B1		REVISED PER ECR-16-004567	16JUN2016	R.Z.	C.W.



- NOTES:
- 1. HOUSING MATERIAL: THERMO PLASTIC RESIN.
  - 2. CONTACT MATERIAL: COPPER ALLOY.
  - 3. FINISH :  
 50u" MIN. NICKEL UNDERPLATING ALL OVER,  
 GOLD PLATING 2u" MIN. ON CONTACT AREA  
 12u" MIN. Pd/Ni ON CONTACT AREA  
 GOLD PLATING 1u" MIN. ON SOLDER AREA
  - 4. COPLANARITY: 0.08MAX. (BEFORE IR)
  - 5. DATE CODE:  
 YWWDSSL (YEAR, WEEK, DAY, SHIFT, LINE)
  - 6. ASSISTANT PAD FOR CONTACT



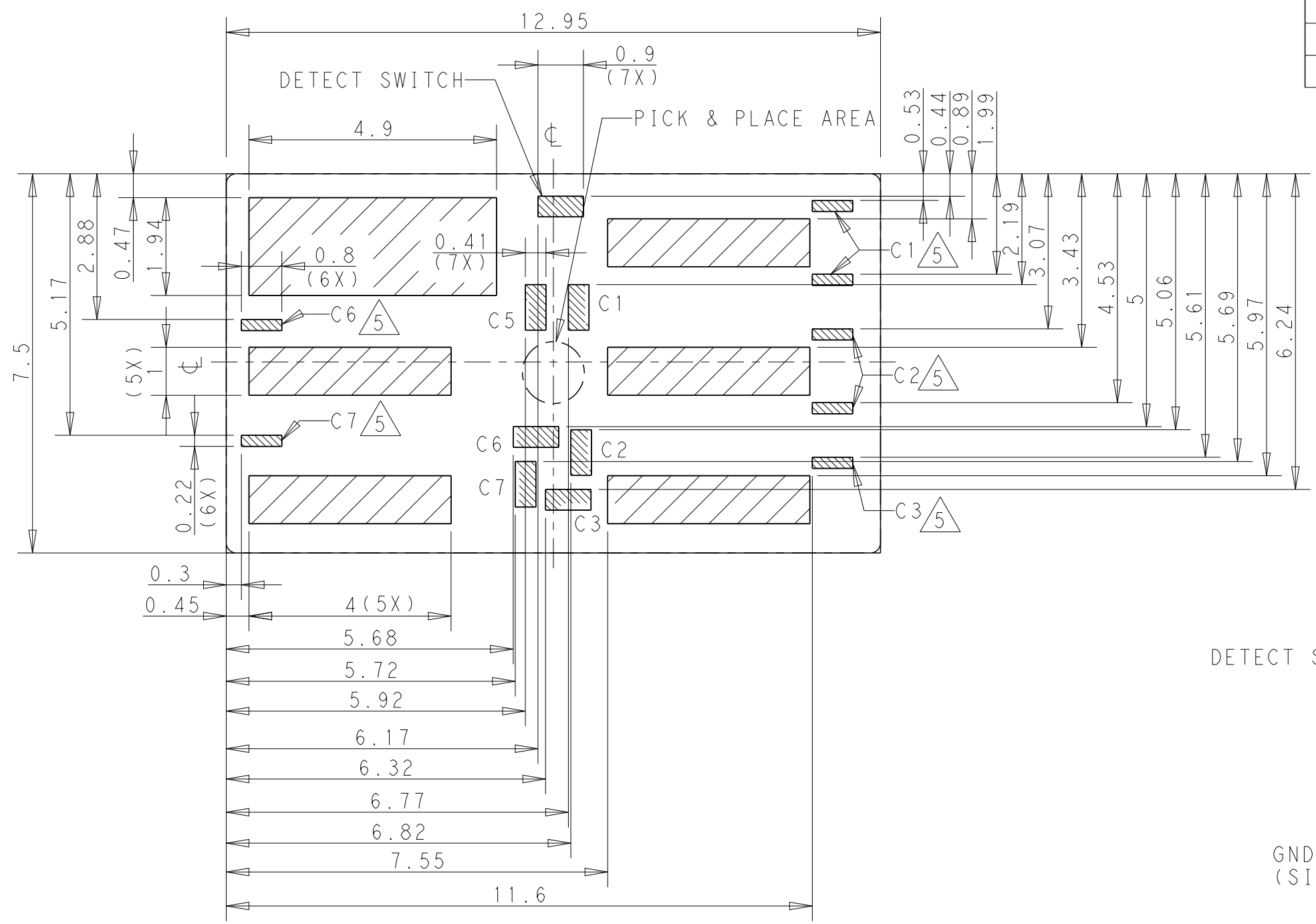
CARD INSERTION DIRECTION

2286237-1	2	CONTACT	
	1	HOUSING	
P/N	ITEM	COMPONENT	MATERIAL/FINISH

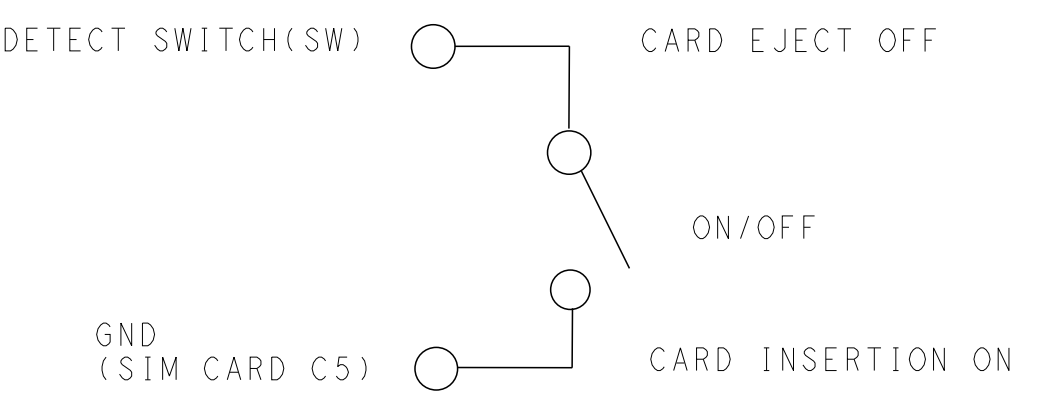


THIS DRAWING IS A CONTROLLED DOCUMENT.		DWN	E.F.	11-Mar-15	TE Connectivity <b>ANTI-BUCKLING BLOCK SIM CONNECTOR</b>	
DIMENSIONS: mm		CHK	S.L.	11-Mar-15		
TOLERANCES UNLESS OTHERWISE SPECIFIED:		APVD	C.W.	11-Mar-15		
0 PLC ±- 1 PLC ±0.3 2 PLC ±0.1 3 PLC ±- 4 PLC ±- ANGLES ±3°		PRODUCT SPEC	108-115089			
MATERIAL	material_2	FINISH	-		APPLICATION SPEC	-
		WEIGHT	0.048g		SIZE	A3
		CUSTOMER DRAWING		SCALE	-	SHEET 1 OF 4
				RESTRICTED TO	-	REV B1


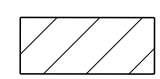
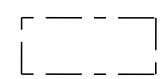
REVISIONS					
P	LTR	DESCRIPTION	DATE	DWN	APVD
	-	SEE SHEET 1	-	-	-




REFERENCE P.C. BOARD LAYOUT  
 (P.C.B. TOLERANCE: ±0.05)



CIRCUIT DRAWING OF SWITCH

-  SOLDER AREA
-  NO WIRE AREA
-  CONNECTOR BOUNDARY

THIS DRAWING IS A CONTROLLED DOCUMENT.		DWN E.F.	11-Mar-15	 TE Connectivity	
DIMENSIONS: mm		CHK S.L.	11-Mar-15		
TOLERANCES UNLESS OTHERWISE SPECIFIED: 0 PLC ±- 1 PLC ±0.3 2 PLC ±0.1 3 PLC ±- 4 PLC ±- ANGLES ±3°		APVD C.W.	11-Mar-15		
MATERIAL material_2		FINISH finish_spec_2			
		PRODUCT SPEC 108-115089	APPLICATION SPEC -	NAME ANTI-BUCKLING BLOCK SIM CONNECTOR	
		WEIGHT 0.048g	CUSTOMER DRAWING	SIZE A3	CAGE CODE 00779
				DRAWING NO C=2286237	RESTRICTED TO -
				SCALE -	SHEET 2 OF 4
					REV B1

4

3

2

1

THIS DRAWING IS UNPUBLISHED.

RELEASED FOR PUBLICATION

20

© COPYRIGHT 20

BY -

ALL RIGHTS RESERVED.

REVISIONS

P	LTR	DESCRIPTION	DATE	DWN	APVD
-	-	SEE SHEET 1	-	-	-

BLOCK CONNECTOR

MICRO-SIM CARD

DETECT SWITCH

C5

C6

C7

TE Connectivity

C1

C2

C3

(0.82)

(0.82)

REFERENCE INSERTION SITUATION  
MICRO-SIM CARD

NANO-SIM CARD

BLOCK CONNECTOR

DETECT SWITCH

C1

C2

C3

TE Connectivity

(0.6)

(0.33)

REFERENCE INSERTION SITUATION  
NANO-SIM CARD

THIS DRAWING IS A CONTROLLED DOCUMENT.

DWN E.F. 11-Mar-15

CHK S.L. 11-Mar-15

APVD C.W. 11-Mar-15

PRODUCT SPEC 108-115089

APPLICATION SPEC -

WEIGHT 0.048g

CUSTOMER DRAWING

NAME ANTI-BUCKLING BLOCK SIM  
CONNECTOR

SIZE	CAGE CODE	DRAWING NO	RESTRICTED TO
A3	00779	C-2286237	-

SCALE - SHEET 3 OF 4 REV B1

DIMENSIONS:

mm

TOLERANCES UNLESS OTHERWISE SPECIFIED:

0 PLC	±-
1 PLC	±0.3
2 PLC	±0.1
3 PLC	±-
4 PLC	±-
ANGLES	±3°

MATERIAL -

material\_2

FINISH -

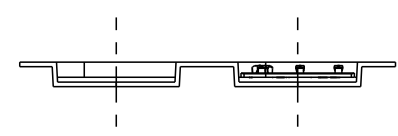
finish\_spec\_2

1470-19 (3/13)

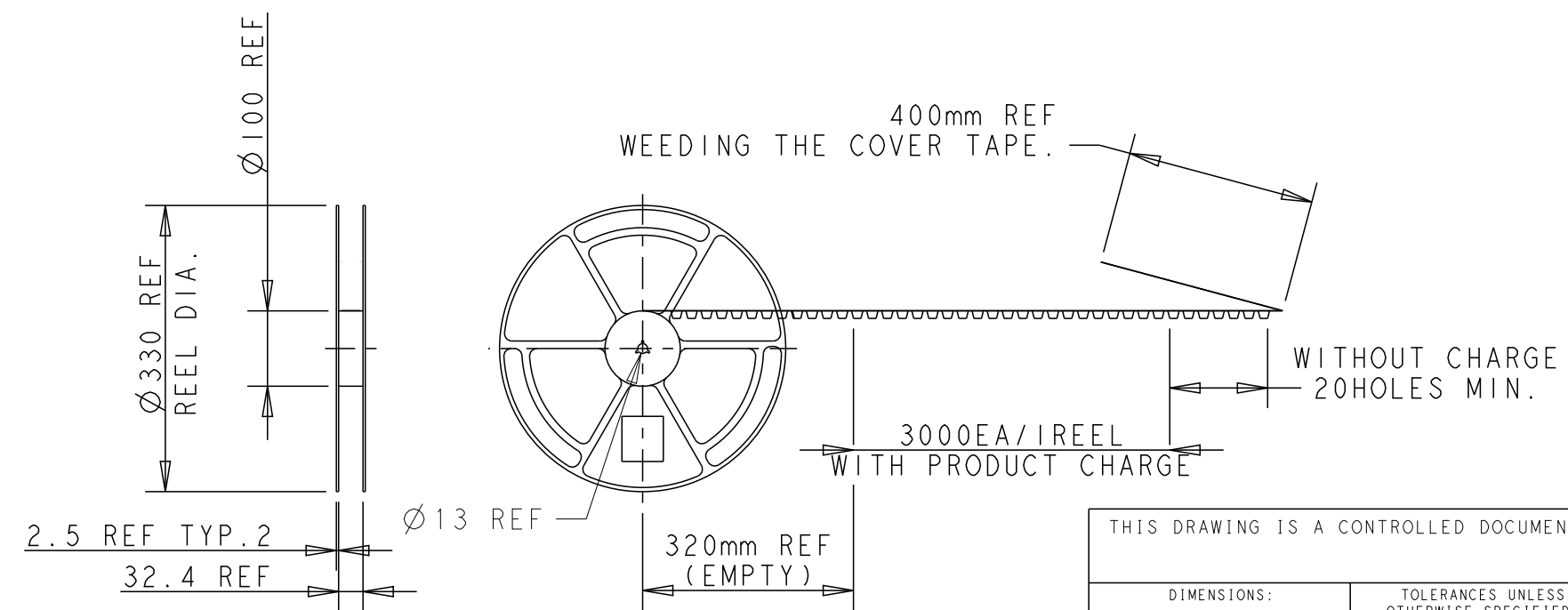
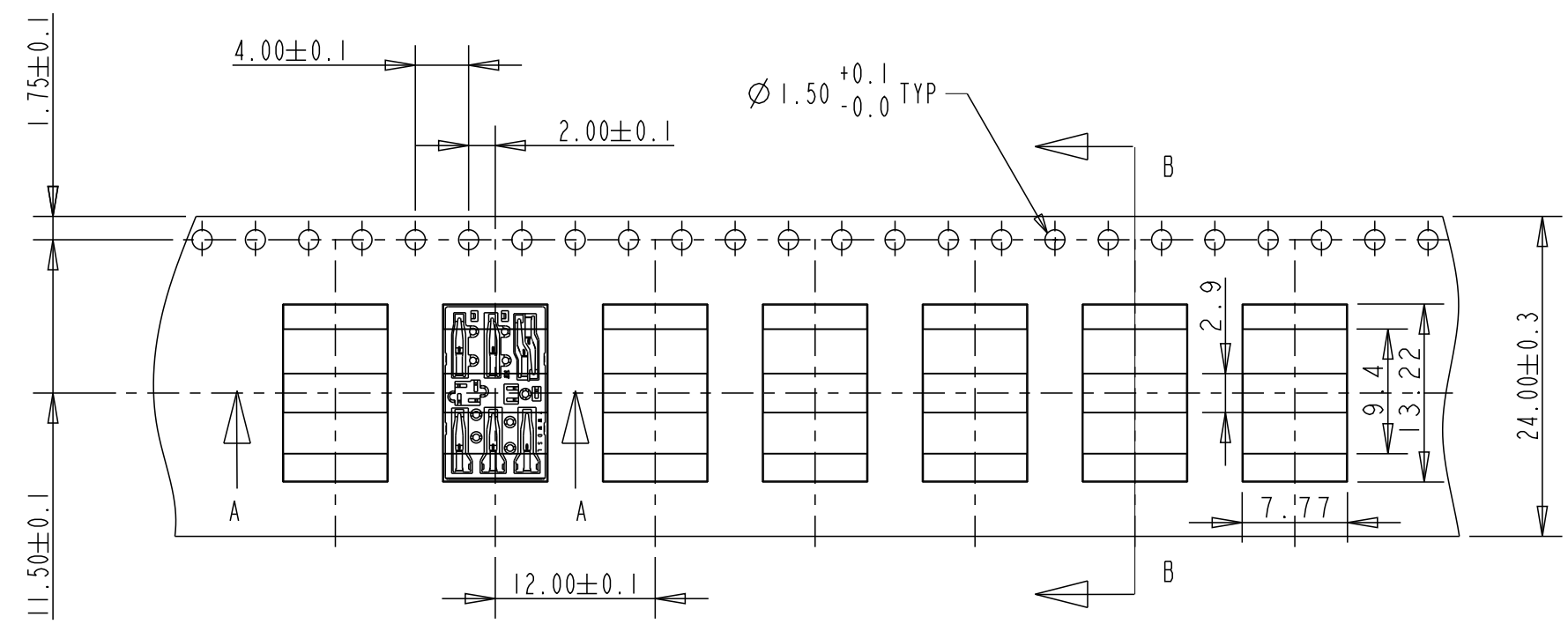
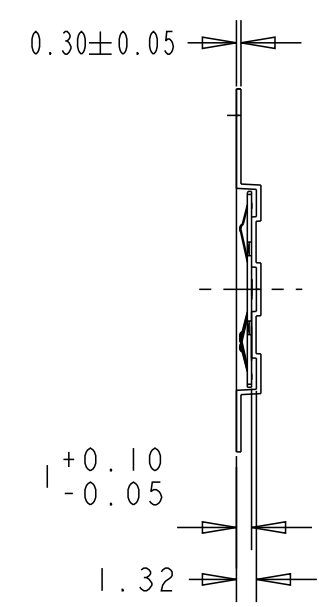
THIS DRAWING IS UNPUBLISHED. RELEASED FOR PUBLICATION 20  
 © COPYRIGHT 20 BY - ALL RIGHTS RESERVED.

REVISIONS					
P	LTR	DESCRIPTION	DATE	DWN	APVD
-	-	SEE SHEET 1	-	-	-

SECTION A-A



SECTION B-B



THIS DRAWING IS A CONTROLLED DOCUMENT.		DWN E.F. 11-Mar-15	TE Connectivity	
DIMENSIONS: mm		CHK S.L. 11-Mar-15		
TOLERANCES UNLESS OTHERWISE SPECIFIED:		APVD C.W. 11-Mar-15	NAME ANTI-BUCKLING BLOCK SIM CONNECTOR	
0 PLC ±-	1 PLC ±0.3	PRODUCT SPEC 108-115089	SIZE A3	CAGE CODE 00779
2 PLC ±0.1	3 PLC ±-	APPLICATION SPEC -	DRAWING NO C-2286237	RESTRICTED TO -
4 PLC ±-	ANGLES ±3°	WEIGHT 0.048g	SCALE 4:1	SHEET 4 OF 4
MATERIAL material_2	FINISH finish_spec_2	CUSTOMER DRAWING	REV B1	