



Chipsmall Limited consists of a professional team with an average of over 10 year of expertise in the distribution of electronic components. Based in Hongkong, we have already established firm and mutual-benefit business relationships with customers from,Europe,America and south Asia,supplying obsolete and hard-to-find components to meet their specific needs.

With the principle of “Quality Parts,Customers Priority,Honest Operation,and Considerate Service”,our business mainly focus on the distribution of electronic components. Line cards we deal with include Microchip,ALPS,ROHM,Xilinx,Pulse,ON,Everlight and Freescale. Main products comprise IC,Modules,Potentiometer,IC Socket,Relay,Connector.Our parts cover such applications as commercial,industrial, and automotives areas.

We are looking forward to setting up business relationship with you and hope to provide you with the best service and solution. Let us make a better world for our industry!



Contact us

Tel: +86-755-8981 8866 Fax: +86-755-8427 6832

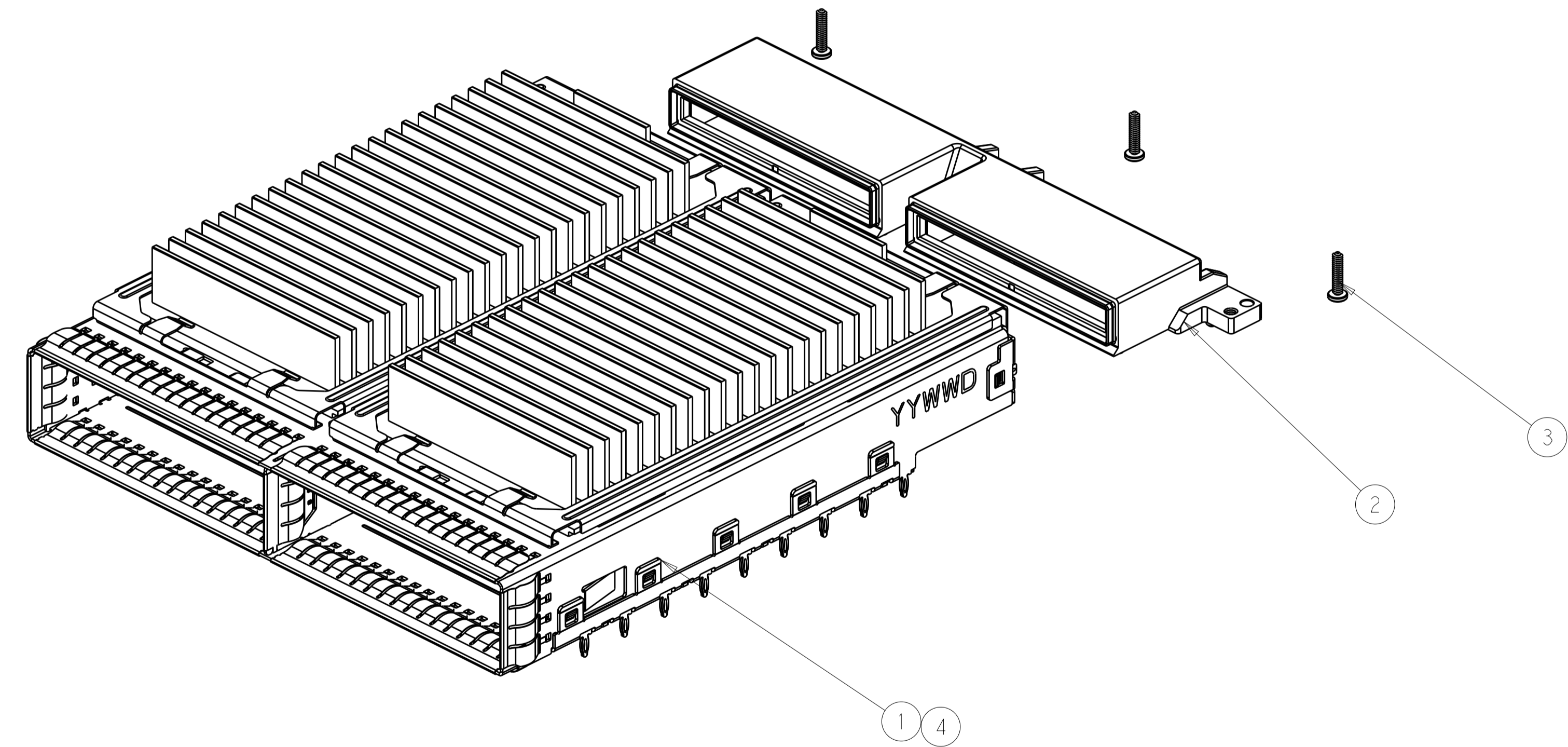
Email & Skype: info@chipsmall.com Web: www.chipsmall.com

Address: A1208, Overseas Decoration Building, #122 Zhenhua RD., Futian, Shenzhen, China



LOC	DIST	REVISIONS			
P	LTN	DESCRIPTION	DATE	DWN	APVD
1		INITIAL RELEASED	31JAN2015	CW	SH
3		REVISE BOM	28AUG2015	AD	SH
4		REVISE PCB PROHIBITING AREA	18SEP2016	AD	SH

- △ MATERAIL : CAGE :0.4MM THICK NICKEL SILVER ALLOY;
 EMI SPRING: COPPER ALLOY;
 HEAT SINK CLIP: STAINLESS STEEL;
 HEAT SINK:ALUMINUM ALLOY;
 RECEPTACLE COVER:ZINC ALLOY;
- △ FINISH: EMI SPRING 1.27um NICKEL PALTING OVER ALL;
 HEAT SINK:BLACK ANODIZED COATING;
 RECEPTACLE COVER: 1.27um MIN NICKEL PLATING OVER COPPER PLATING;
 HEAT SINK CLIP: PASSIVATE;
- 3.MATES WITH CFP MSA COMPLIANT TRANSCEIVERS.
- △ DATUM AND BASIC DIMENSION ESTABLISHED BY CUSTOMER.
- 5.MINIMUM PC BOARD THICKNESS: SIGLE SIDE APPLICATIONS=2.99±0.63mm.
- △.PADS AND VIAS CHASSIS GROUND;
- △:REFERRECE APPLICATION SPEC 114-32146,HOLE A, FOR RECOMMENDED DRILL HOLE DIAMETER AND PLATING THICKNESS.

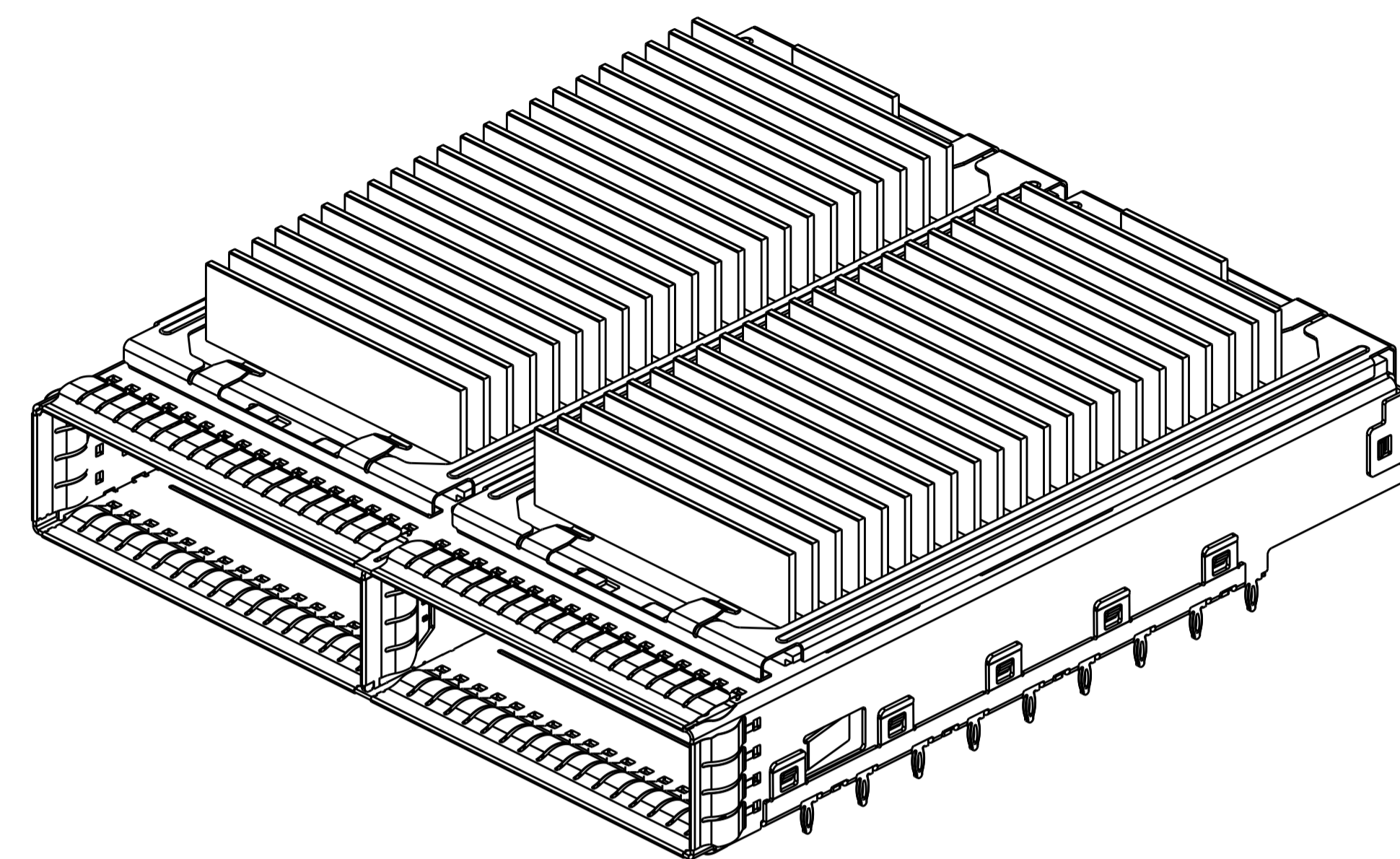
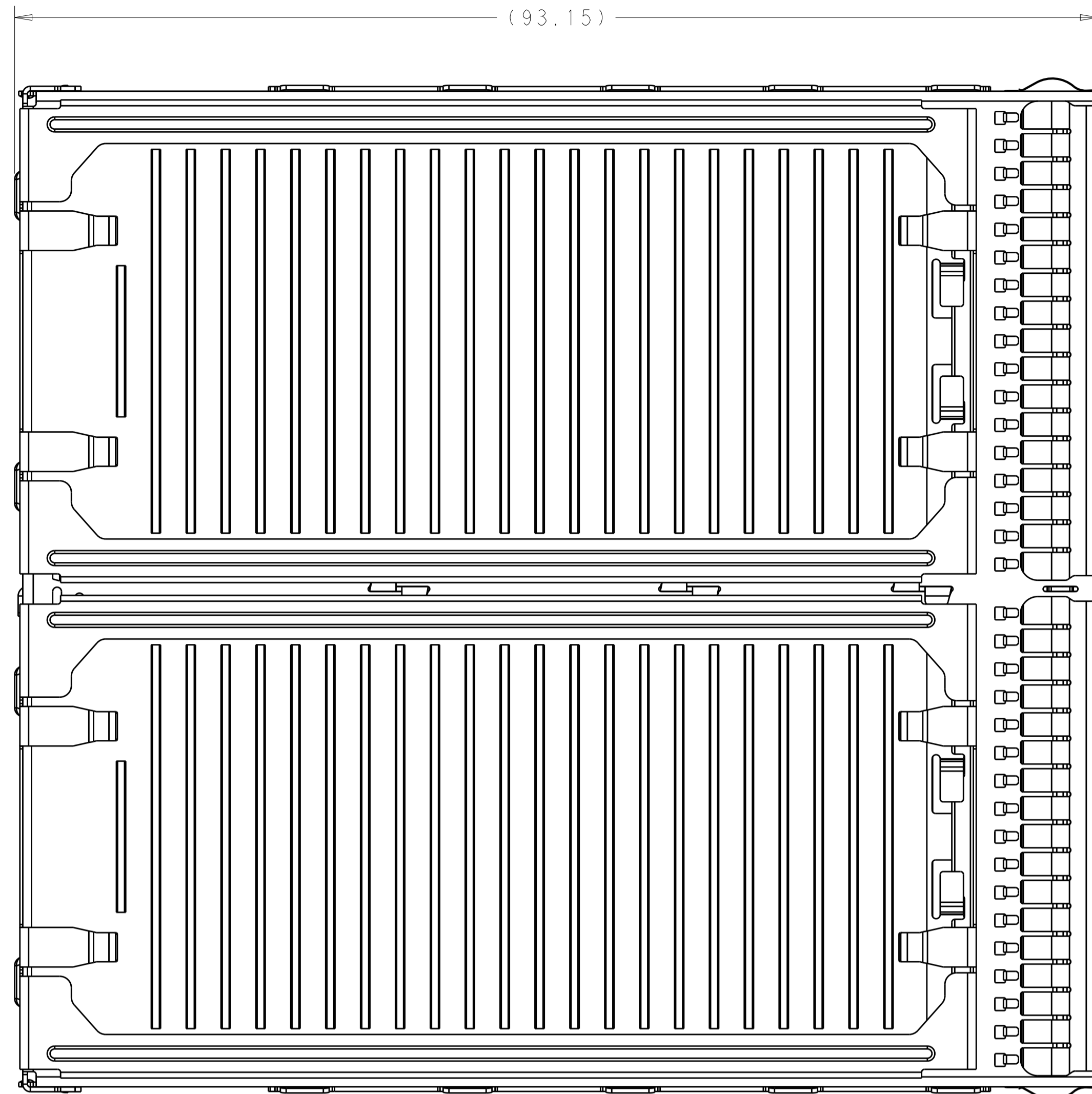


THIS PRINT IS
PRELIMINARY
 UNQUALIFIED PRODUCT
 CONTACT PRODUCT ENGINEERING
 BEFORE USING THIS PRINT

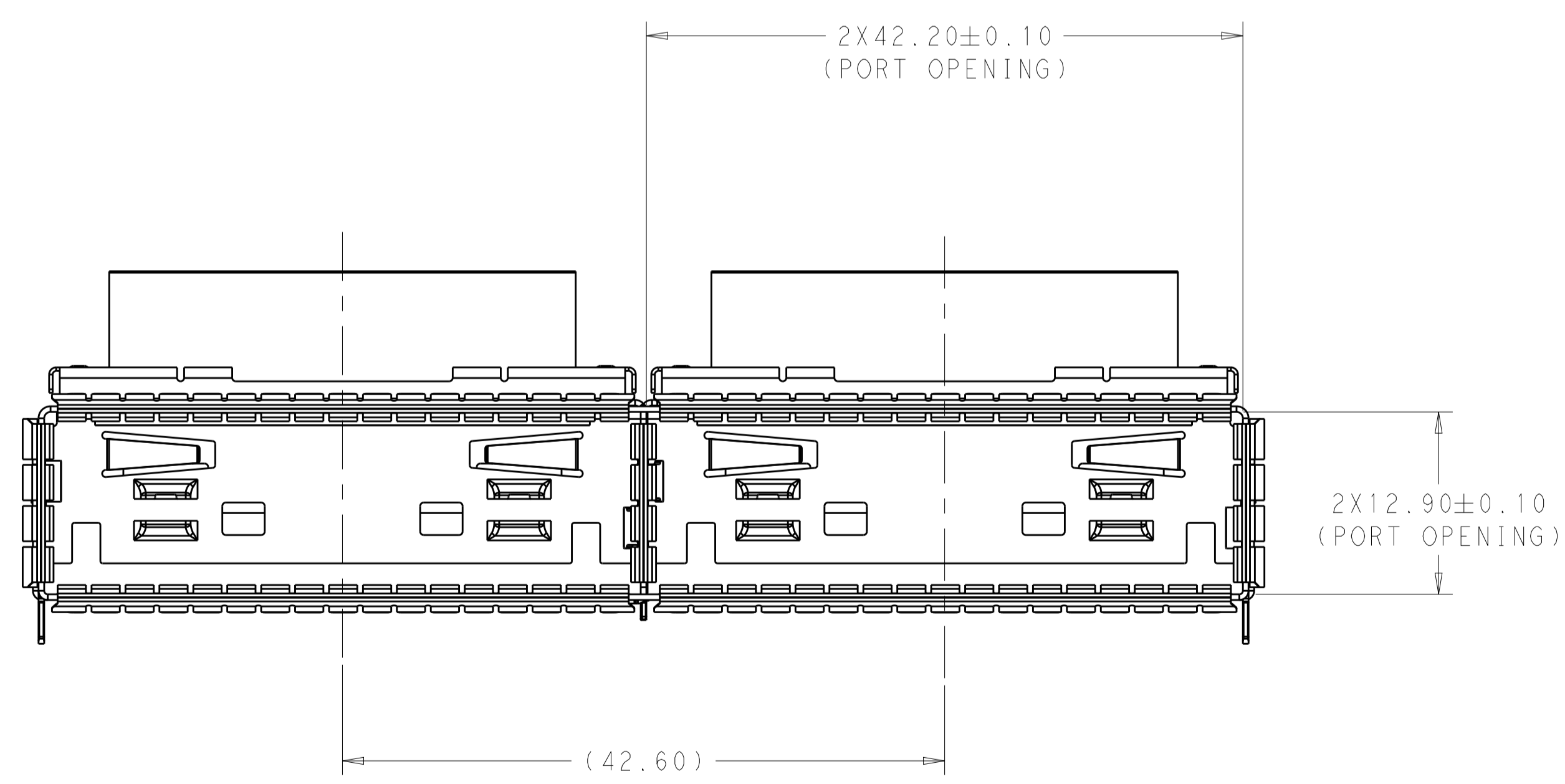
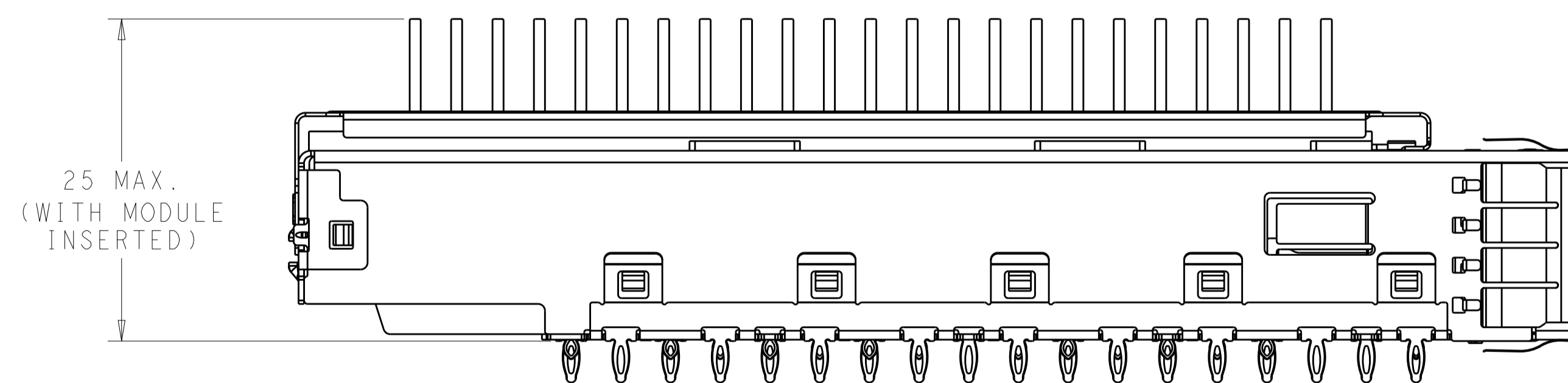
1	-	2293288-2	CAGE ASSEMBLY WITH H/S,CFP2 1X2	4
3	3	2292789-1	SCREW	3
1	1	2287077-1	RECEPTACLE COVER ASSEMBLY	2
-	1	2293288-1	CAGE ASSEMBLY WITH H/S,CFP2 1X2	1
-2	-1	PAR NUMBER	DESCRIPTION	ITEM

THIS DRAWING IS A CONTROLLED DOCUMENT.		DWN Charles Wan 31JAN2015	STE TE Connectivity	
DIMENSIONS: mm		CHK Sean Han 31JAN2015		
TOLERANCES UNLESS OTHERWISE SPECIFIED:		APVD Sean Han 31JAN2015	NAME CFP2 HARDWARE AND RECEPTACLE ASSEMBLY, 1X2	
0 PLC ±.25		PRODUCT SPEC 108-32103	SIZE A1	
2 PLC ±0.13		APPLICATION SPEC 114-32146	CAGE CODE -	
3 PLC ±0.10		WEIGHT -	DRAWING NO C=2287075	
4 PLC ±.		RESTRICTED TO Customer Drawing	SCALE 1:1	
ANGLES ±.		FINISH △	SHEET 1 OF 7	
MATERIAL △		REV 4		

LOC	DIST	REVISIONS			
P	LYR	DESCRIPTION	DATE	DWN	APVD
GP	00	SEE SHEET 1	-	-	-



SCALE 2:1

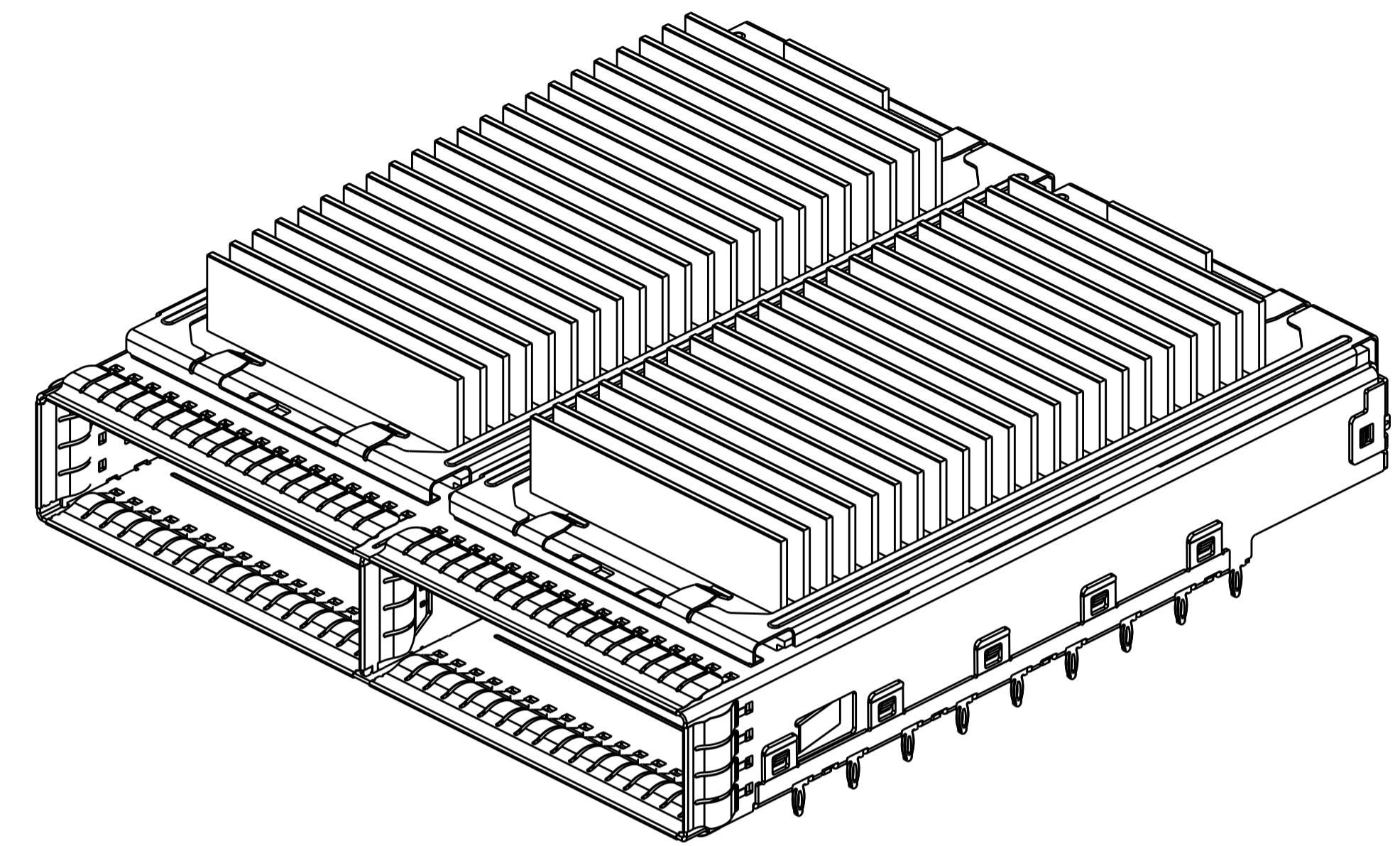


2293288-1 AS SHOWN

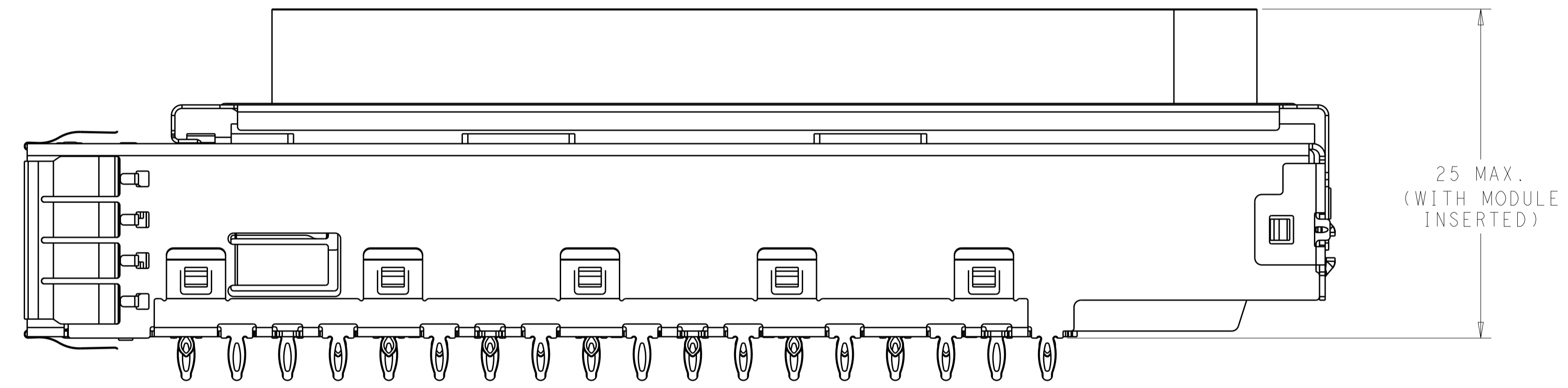
THIS PRINT IS
PRELIMINARY
 UNQUALIFIED PRODUCT
 CONTACT PRODUCT ENGINEERING
 BEFORE USING THIS PRINT

THIS DRAWING IS A CONTROLLED DOCUMENT.		OWN: Charles Wan 31JAN2015	TE Connectivity
DIMENSIONS:		CHK: Sean Han 31JAN2015	
TOLERANCES UNLESS OTHERWISE SPECIFIED:		APVD: Sean Han 31JAN2015	
mm		PRODUCT SPEC	
0 PLC	±	APPLICATION SPEC	NAME: CFP2 HARDWARE AND RECEPTACLE ASSEMBLY, 1X2
1 PLC	±0.25	RESTRICTED TO:	SIZE: A1
2 PLC	±0.13	WEIGHT:	CAGE CODE: -
3 PLC	±0.10	FINISH:	DRAWING NO: C=2287075
4 PLC	±	MATERIAL:	SCALE: 3:1
ANGLES	±	Customer Drawing	SHEET 2 OF 7
			REV 4

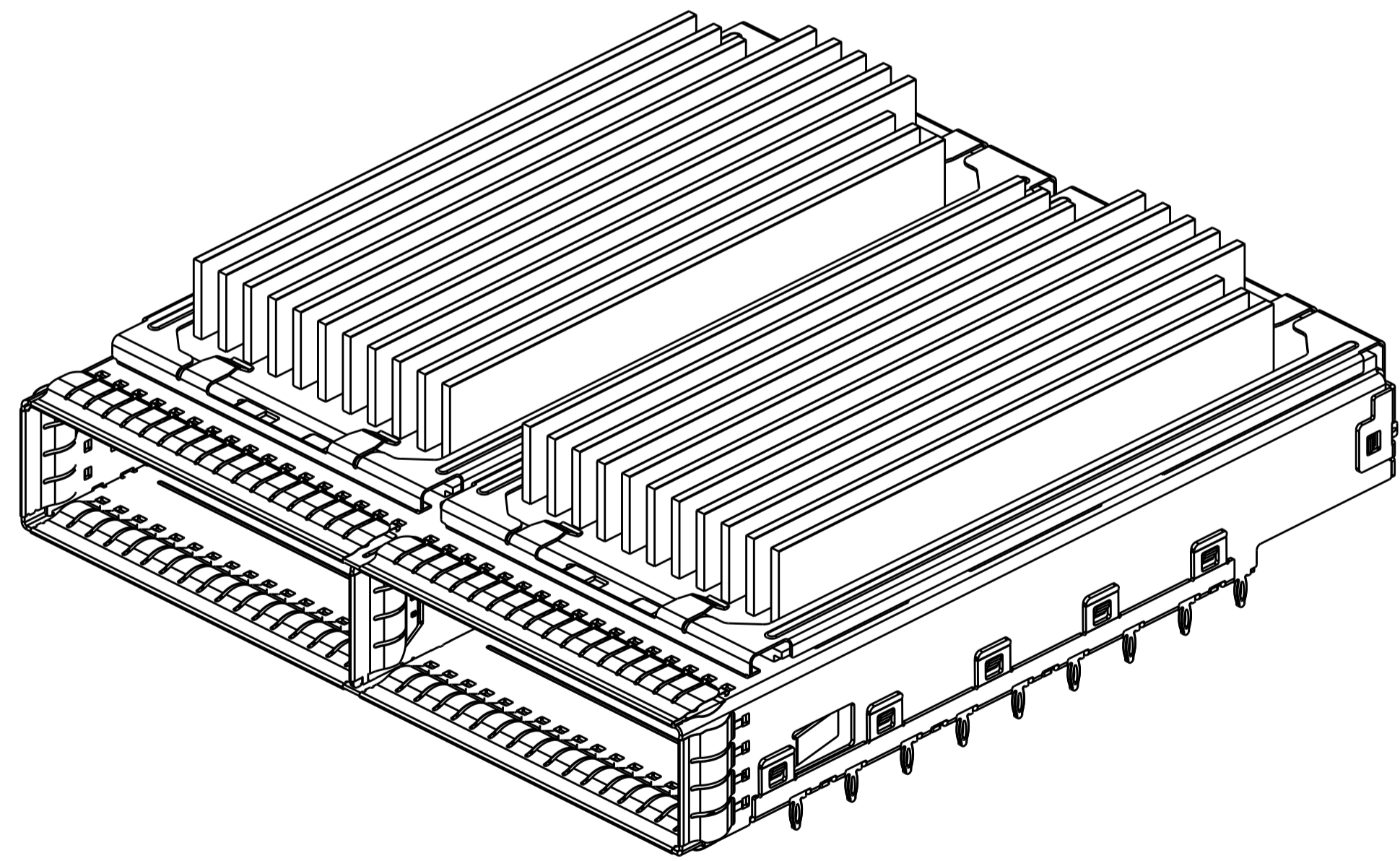
LOC	DIST	REVISIONS			
P	LYR	DESCRIPTION	DATE	DWN	APVD
-	-	SEE SHEET 1	-	-	-



2293288-1



2293288-2
 OTHER DIMENSIONS
 SAME AS 2293288-1
 SCALE 4:1

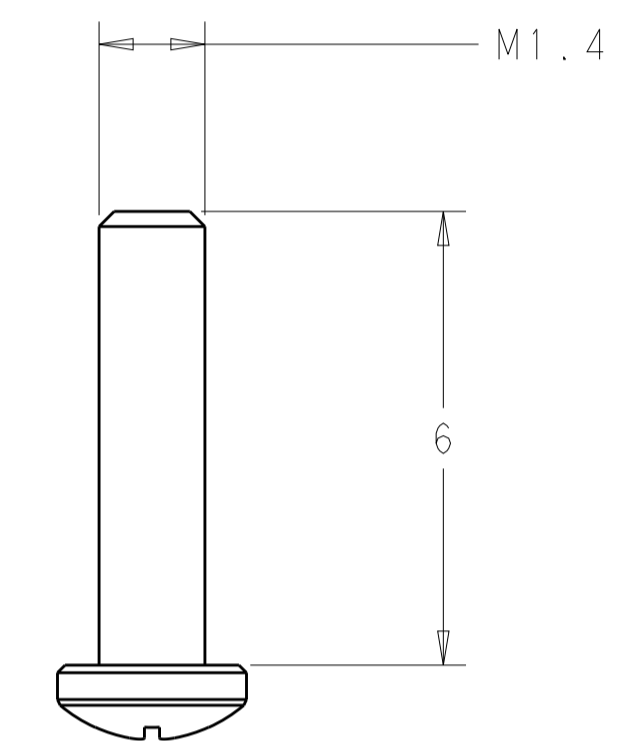
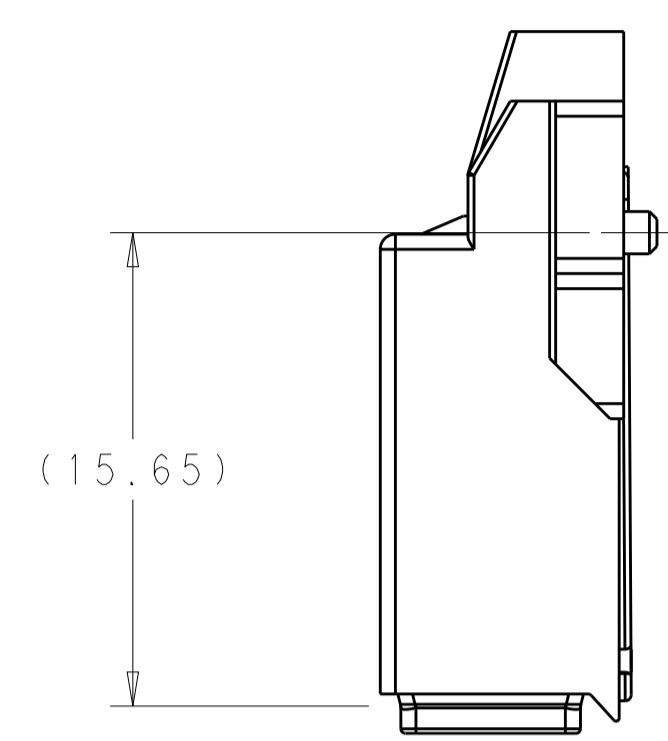
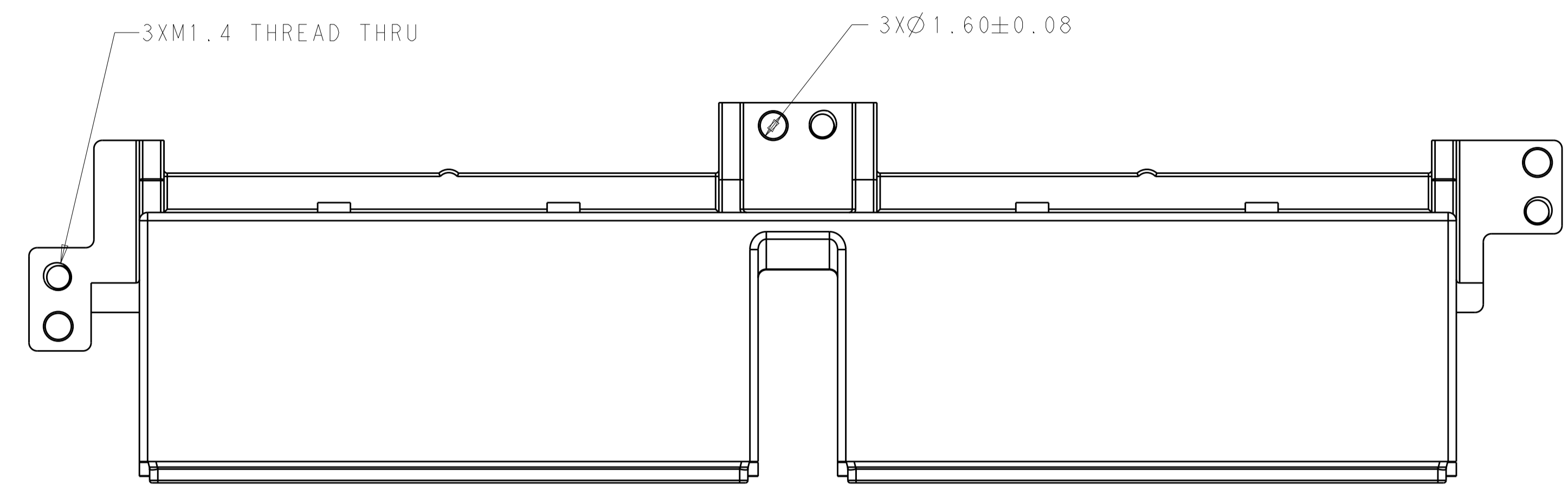


2293288-2

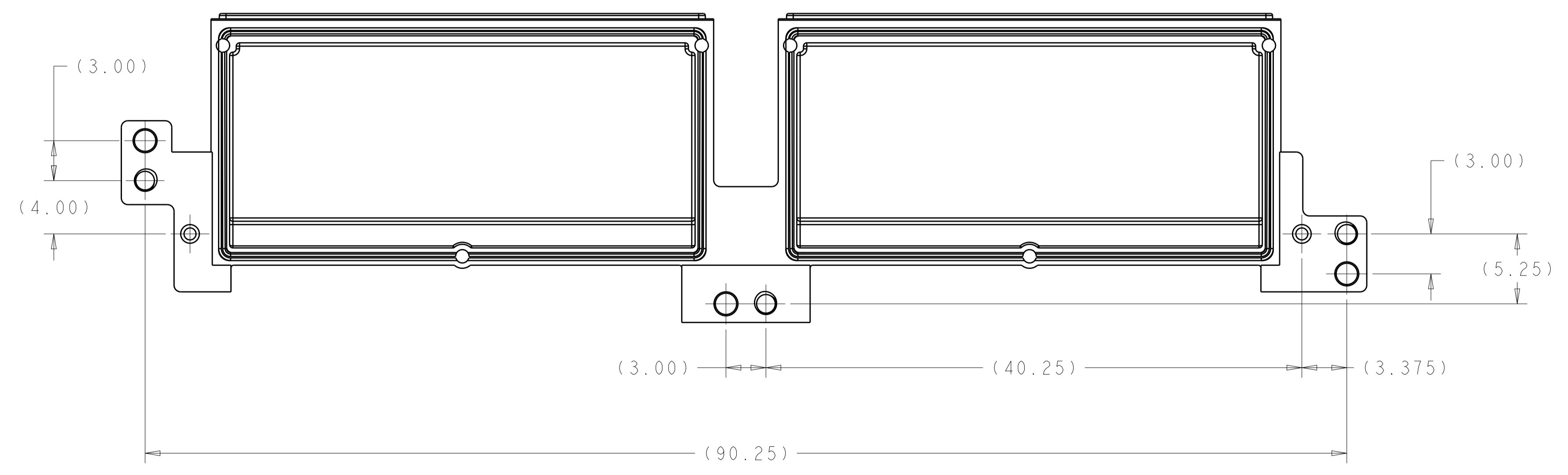
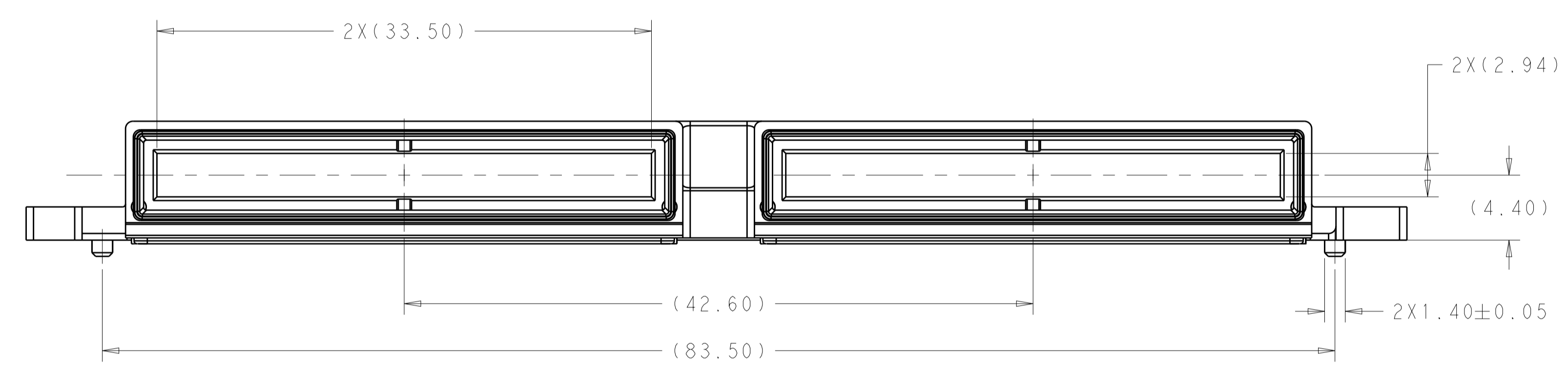
THIS PRINT IS
PRELIMINARY
 UNQUALIFIED PRODUCT
 CONTACT PRODUCT ENGINEERING
 BEFORE USING THIS PRINT

THIS DRAWING IS A CONTROLLED DOCUMENT.		DWN Charles Wan 31JAN2015	TE Connectivity
DIMENSIONS:		CHK Sean Han 31JAN2015	
mm	TOLERANCES UNLESS OTHERWISE SPECIFIED:	APVD Sean Han 31JAN2015	NAME CFP2 HARDWARE AND RECEPTACLE ASSEMBLY, 1X2
0 PLC	±	PRODUCT SPEC	SIZE A1
1 PLC	±0.25	APPLICATION SPEC	CAGE CODE -
2 PLC	±0.13	WEIGHT	DRAWING NO C=2287075
3 PLC	±0.10	RESTRICTED TO	SCALE 4:1
4 PLC	±	Customer Drawing	SHEET 3 OF 7
ANGLES	±		REV 4
MATERIAL	FINISH		

LOC		DIST		REVISONS			
GP	00	P	LTH	DESCRIPTION	DATE	DMN	APVD
-	-	-	-	SEE SHEET 1	-	-	-



2292789-1
 SCALE 10:1

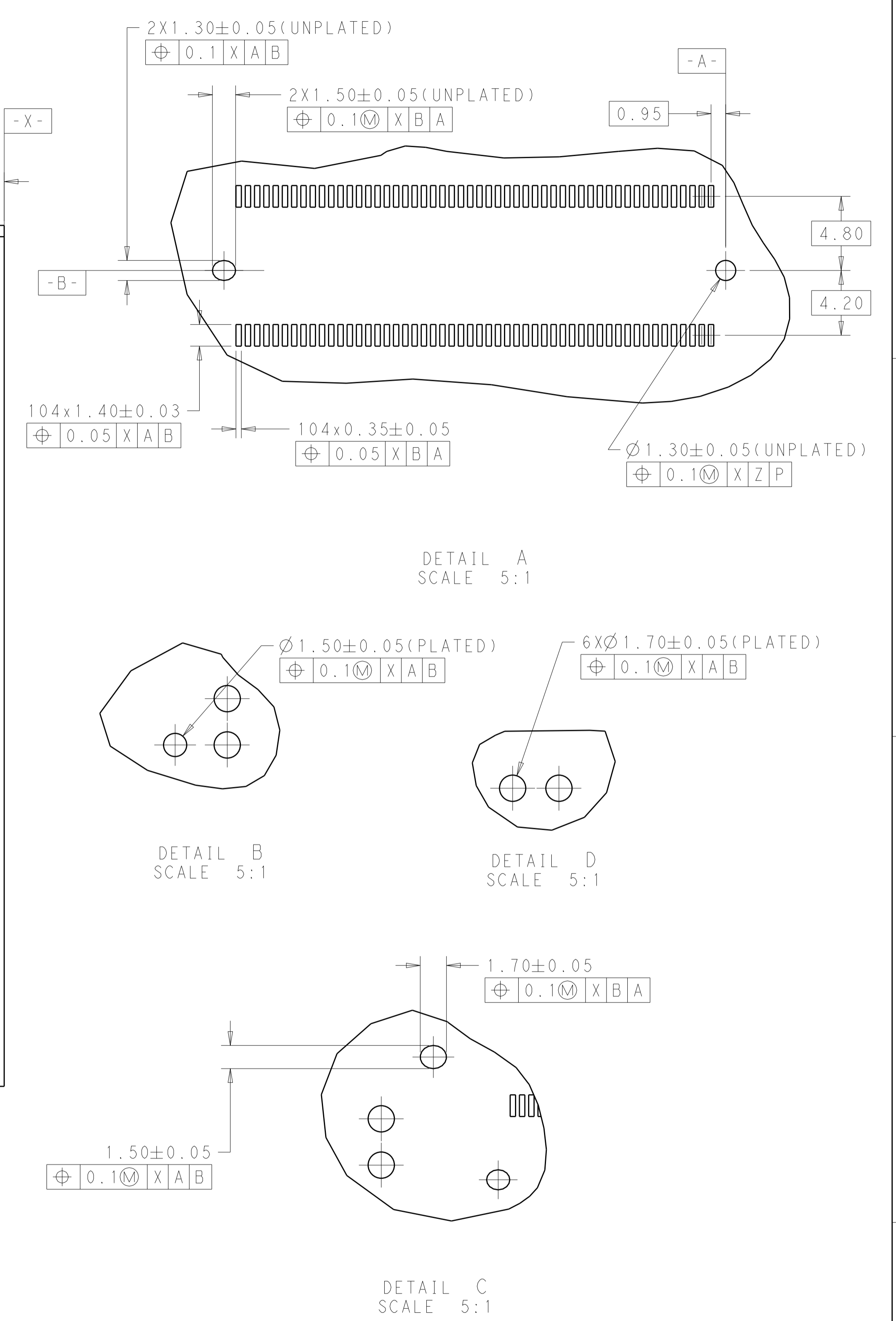
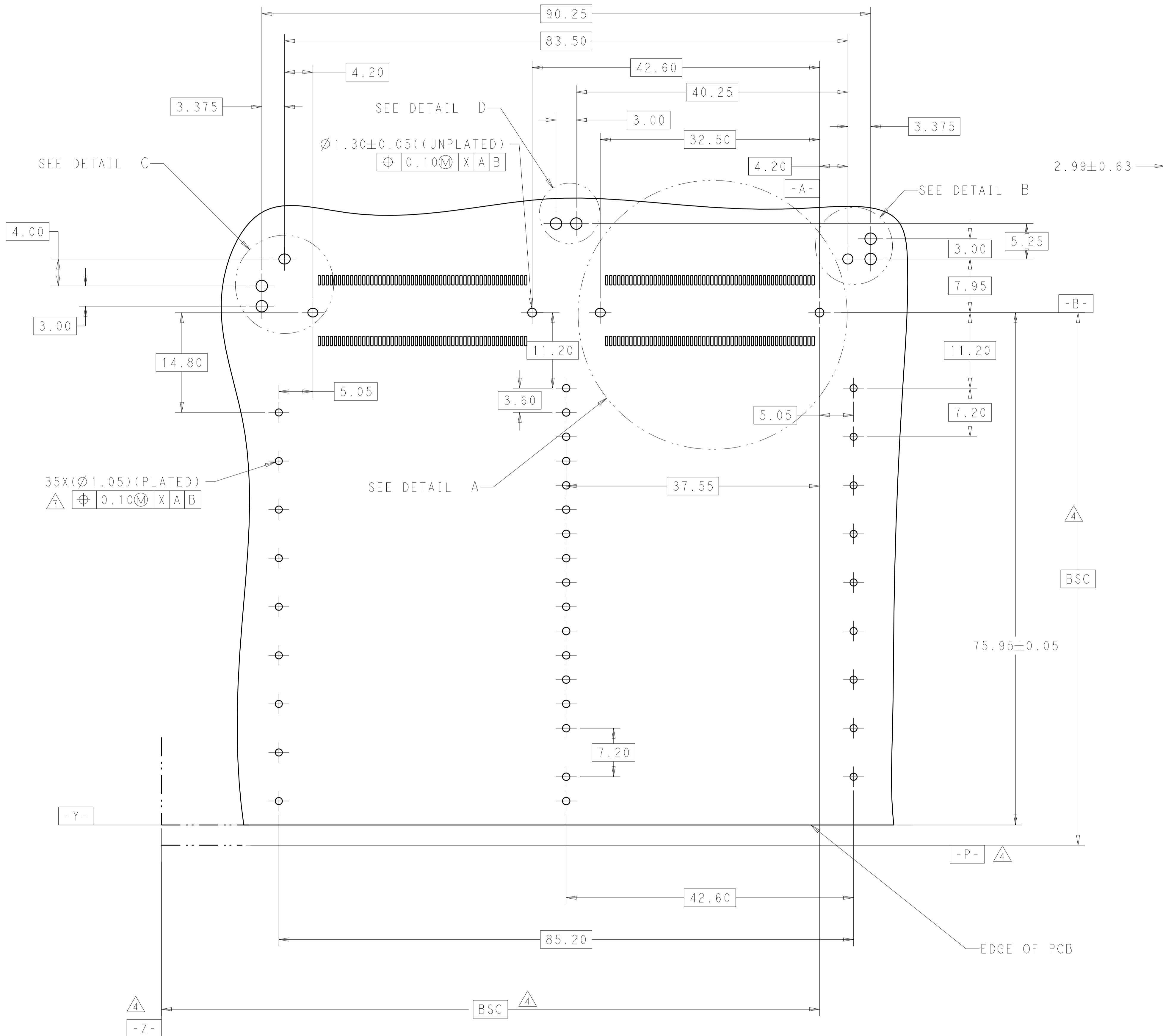


THIS PRINT IS
PRELIMINARY
 UNQUALIFIED PRODUCT
 CONTACT PRODUCT ENGINEERING
 BEFORE USING THIS PRINT

2287077-1

THIS DRAWING IS A CONTROLLED DOCUMENT.		DMN Charles Wan 31JAN2015	TE Connectivity
DIMENSIONS: mm		CHK Sean Han 31JAN2015	
TOLERANCES UNLESS OTHERWISE SPECIFIED:		APVD Sean Han 31JAN2015	NAME CFP2 HARDWARE AND RECEPTACLE ASSEMBLY, 1X2
0 PLC ±0.25	1 PLC ±0.13	PRODUCT SPEC	SIZE A1
2 PLC ±0.10	3 PLC ±0.10	APPLICATION SPEC	CAGE CODE -
4 PLC ±0.10	ANGLES ±0.5	WEIGHT -	DRAWING NO. C=2287075
MATERIAL -	FINISH -	Customer Drawing	RESTRICTED TO -
SCALE 4:1		SHEET 4	OF 7
REV 4			

LOC	DIST	REV	DATE	BY	CHK	APPV
GP	00					
DESCRIPTION			DATE	OWN	APPV	
- SEE SHEET 1			-	-	-	



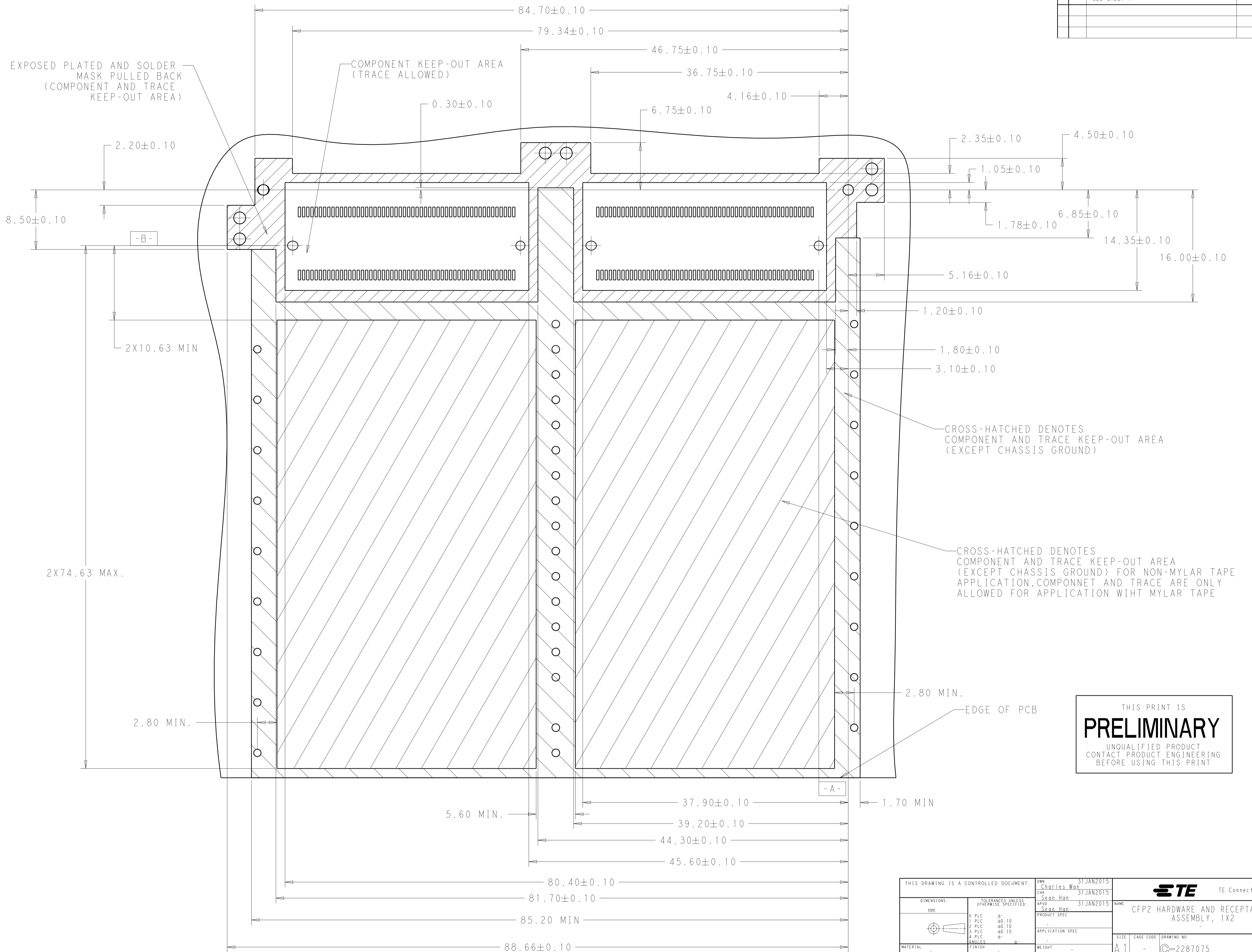
RECOMMEND PCB LAYOUT

THIS PRINT IS
PRELIMINARY
 UNQUALIFIED PRODUCT
 CONTACT PRODUCT ENGINEERING
 BEFORE USING THIS PRINT

DIMENSIONS:		TOLERANCES UNLESS OTHERWISE SPECIFIED:		MATERIAL:		FINISH:		WEIGHT:		SCALE:	
mm	0 PLC ±0.25	1 PLC ±0.25	2 PLC ±0.25	3 PLC ±0.10	4 PLC ±0.10	5 PLC ±0.10	6 PLC ±0.10	7 PLC ±0.10	8 PLC ±0.10	9 PLC ±0.10	10 PLC ±0.10
ANGLES	±°	±°	±°	±°	±°	±°	±°	±°	±°	±°	±°
MATERIAL				FINISH				WEIGHT		SCALE	
-				-				-		1:1	

THIS DRAWING IS A CONTROLLED DOCUMENT.	OWN: Charles Wan 31JAN2015 CHK: Sean Han 31JAN2015	TE Connectivity			
APVD: Sean Han 31JAN2015	NAME: CFP2 HARDWARE AND RECEPTACLE ASSEMBLY, 1X2				
PRODUCT SPEC	APPLICATION SPEC	SIZE: A1	CAGE CODE: -	DRAWING NO: C=2287075	RESTRICTED TO:
Customer Drawing		SHEET: 5	OF: 7	REV: 4	

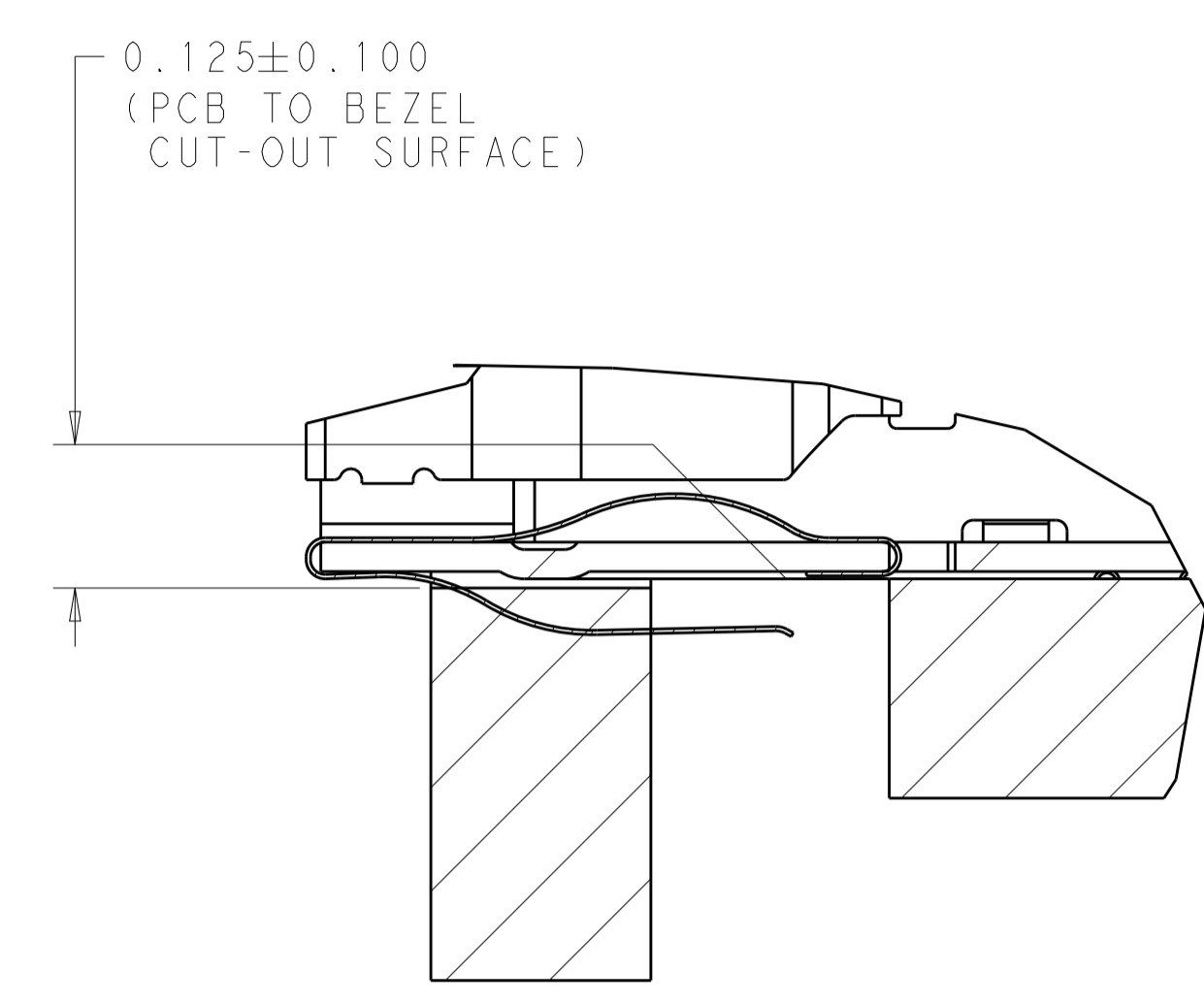
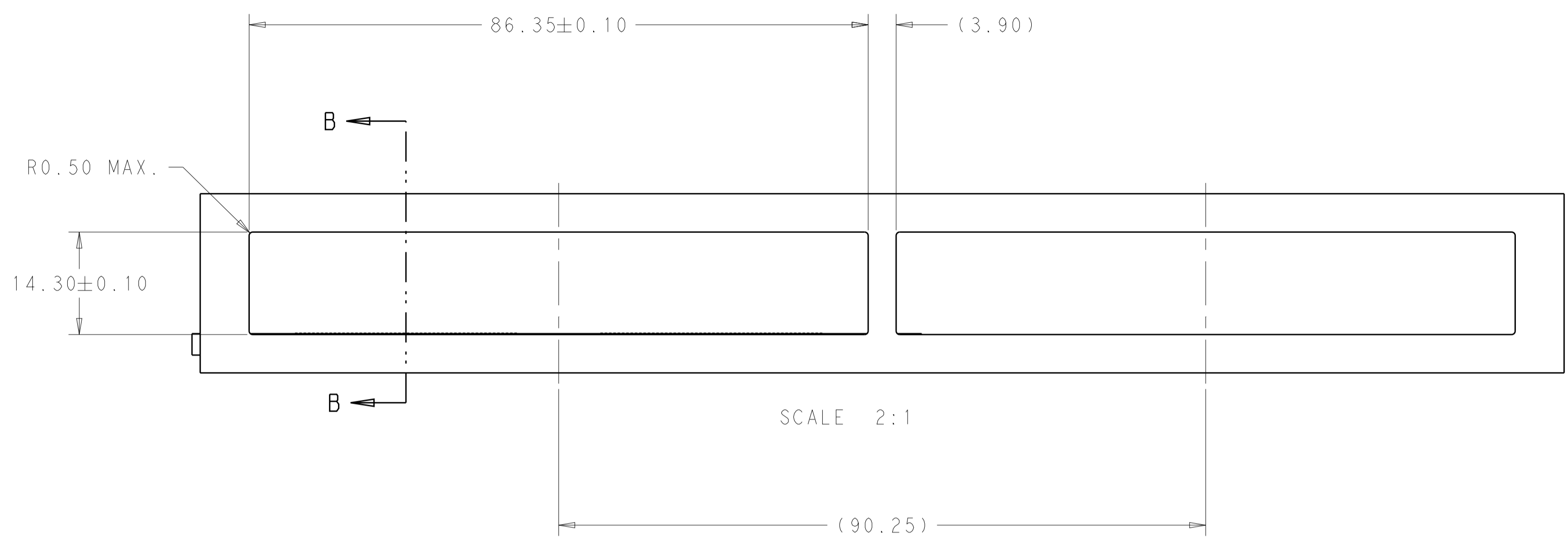
LOC		DIST		REVISIONS			
GP	00	P	LTH	DESCRIPTION	DATE	OWN	APVD
-	-	-	-	SEE SHEET 1	-	-	-



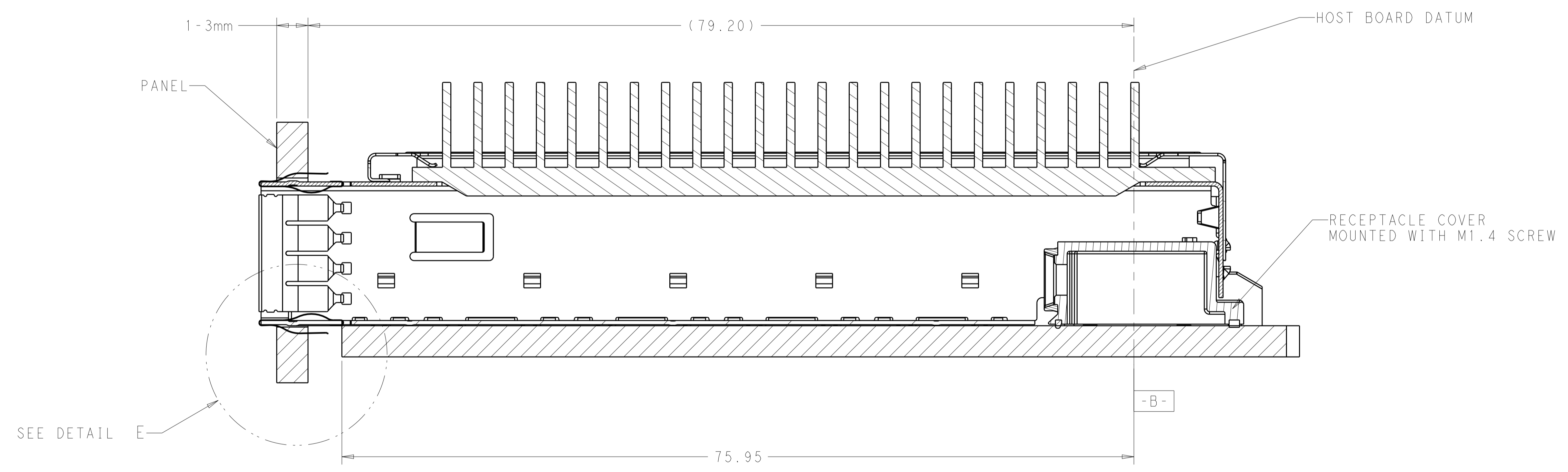
THIS PRINT IS
PRELIMINARY
 UNQUALIFIED PRODUCT
 CONTACT PRODUCT ENGINEERING
 BEFORE USING THIS PRINT

THIS DRAWING IS A CONTROLLED DOCUMENT.		OWN	31JAN2015	TE Connectivity
		CHK	31JAN2015	
DIMENSIONS:		APVD	31JAN2015	NAME CFP2 HARDWARE AND RECEPTACLE ASSEMBLY, 1X2
mm		PRODUCT SPEC		
0 PLC ±0.10 1 PLC ±0.10 2 PLC ±0.10 3 PLC ±0.10 4 PLC ±0.10 ANGLES ±°		APPLICATION SPEC		SIZE CAGE CODE DRAWING NO RESTRICTED TO A1 - ©=2287075 -
MATERIAL		WEIGHT		
FINISH		Customer Drawing	SCALE 1:1	SHEET 6 OF 7 REV 4

LOC	DIST	REVISIONS			
P	LTN	DESCRIPTION	DATE	DMN	APVD
-	-	SEE SHEET 1	-	-	-



DETAIL E
 SCALE 10:1



SECTION B-B
 SCALE 4:1

THIS PRINT IS
PRELIMINARY
 UNQUALIFIED PRODUCT
 CONTACT PRODUCT ENGINEERING
 BEFORE USING THIS PRINT

THIS DRAWING IS A CONTROLLED DOCUMENT.		DMN Charles Wan 31JAN2015	TE Connectivity
DIMENSIONS: mm		CHK Sean Han 31JAN2015	
TOLERANCES UNLESS OTHERWISE SPECIFIED:		APVD Sean Han 31JAN2015	NAME CFP2 HARDWARE AND RECEPTACLE ASSEMBLY, 1X2
0 PLC ±0.25	1 PLC ±0.13	PRODUCT SPEC	SIZE A1
2 PLC ±0.10	3 PLC ±0.10	APPLICATION SPEC	CAGE CODE -
4 PLC ±0.10	ANGLES ±0.5	WEIGHT -	DRAWING NO. C=2287075
MATERIAL -	FINISH -	Customer Drawing	RESTRICTED TO -
SCALE 1:1			SHEET 7 OF 7
REV 4			