



Chipsmall Limited consists of a professional team with an average of over 10 year of expertise in the distribution of electronic components. Based in Hongkong, we have already established firm and mutual-benefit business relationships with customers from,Europe,America and south Asia,supplying obsolete and hard-to-find components to meet their specific needs.

With the principle of "Quality Parts,Customers Priority,Honest Operation,and Considerate Service",our business mainly focus on the distribution of electronic components. Line cards we deal with include Microchip,ALPS,ROHM,Xilinx,Pulse,ON,Everlight and Freescale. Main products comprise IC,Modules,Potentiometer,IC Socket,Relay,Connector.Our parts cover such applications as commercial,industrial, and automotives areas.

We are looking forward to setting up business relationship with you and hope to provide you with the best service and solution. Let us make a better world for our industry!



Contact us

Tel: +86-755-8981 8866 Fax: +86-755-8427 6832

Email & Skype: info@chipsmall.com Web: www.chipsmall.com

Address: A1208, Overseas Decoration Building, #122 Zhenhua RD., Futian, Shenzhen, China

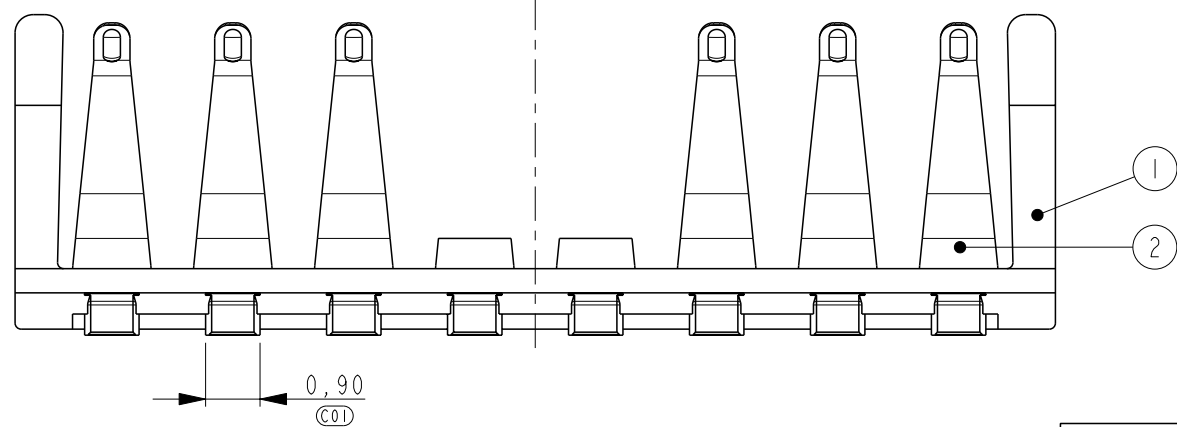
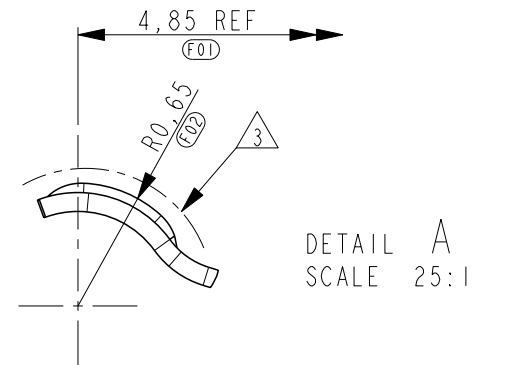
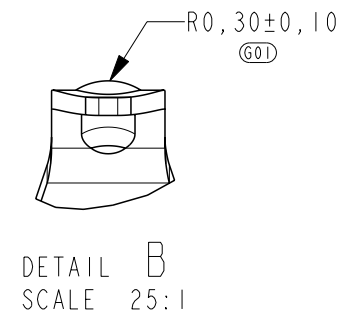
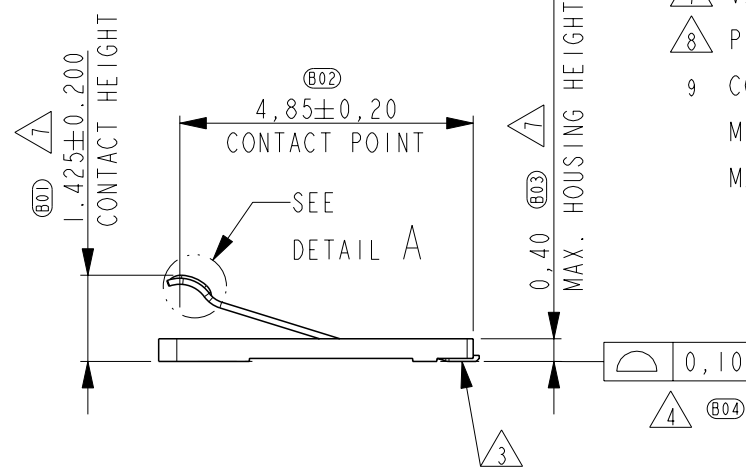
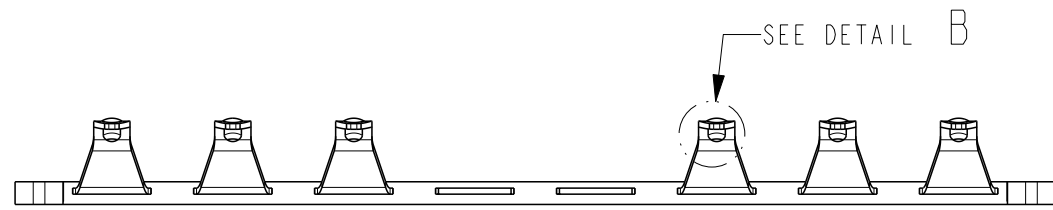
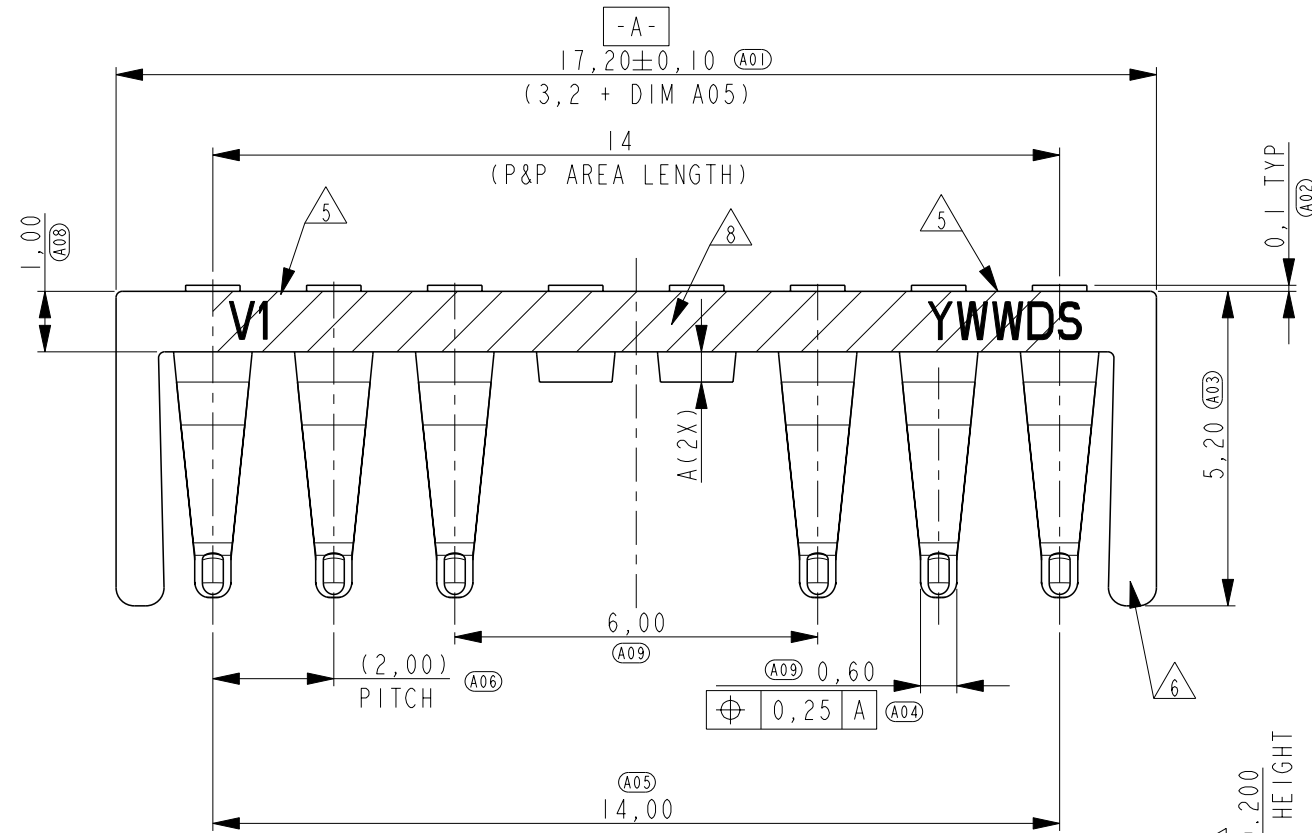


THIS DRAWING IS UNPUBLISHED. RELEASED FOR PUBLICATION
 © COPYRIGHT - BY - ALL RIGHTS RESERVED.

LOC	DIST	REVISIONS					
H	-	P	LTR	DESCRIPTION	DATE	DWN	APVD
			A	RELEASE	30JULY2014	E.L	WK.H
			A1	ECR-14-016631	18NOV2014	T.Q	WK.H
			A2	ECR-16-004791	01APR2016	A.W	H.L

NOTES:

- P/N: A=0.50MM FOR 2287112-2; A=0 FOR 2287112-3
- DRAWING REPRESENTS PART VERSION V5.
- PLATING: - 1,27µm MIN. NICKEL ALL OVER,
 - 0,3µm MIN GOLD ON CONTACT POINTS (INDICATED BY DASHED LINE),
 - GOLD FLASH ON SOLDER TAILS (INDICATED BY DASHED LINE).
- COPLANARITY OF SOLDER SURFACES 0,10 MAX.
- MARKING: VERSION,
 PRODUCTION DATE ('YWWDS' YEAR, WEEK, DAY + DAY/NIGHT SHIFT)
- MARKING: CAVITY ID, RECESSED.
- VARIABLE VALUE, SEE TABLE SHEET 3.
- PICK & PLACE SURFACE DEFINED BY HATCHED AREA.
- CONTACT WORKING HEIGHT 0,70mm±0,30mm,
 MIN FORCE 0,20N AT 1,00mm,
 MAX FORCE 0,80N AT 0,40mm MEASURED FROM BOTTOM PWB.



ITEM NO.	DESCRIPTION	MATERIAL	FINISH
2	CONTACT	STAINLESS STEEL	GOLD PLATED (3)
1	HOUSING	PLASTIC, GF	-

THIS DRAWING IS A CONTROLLED DOCUMENT.

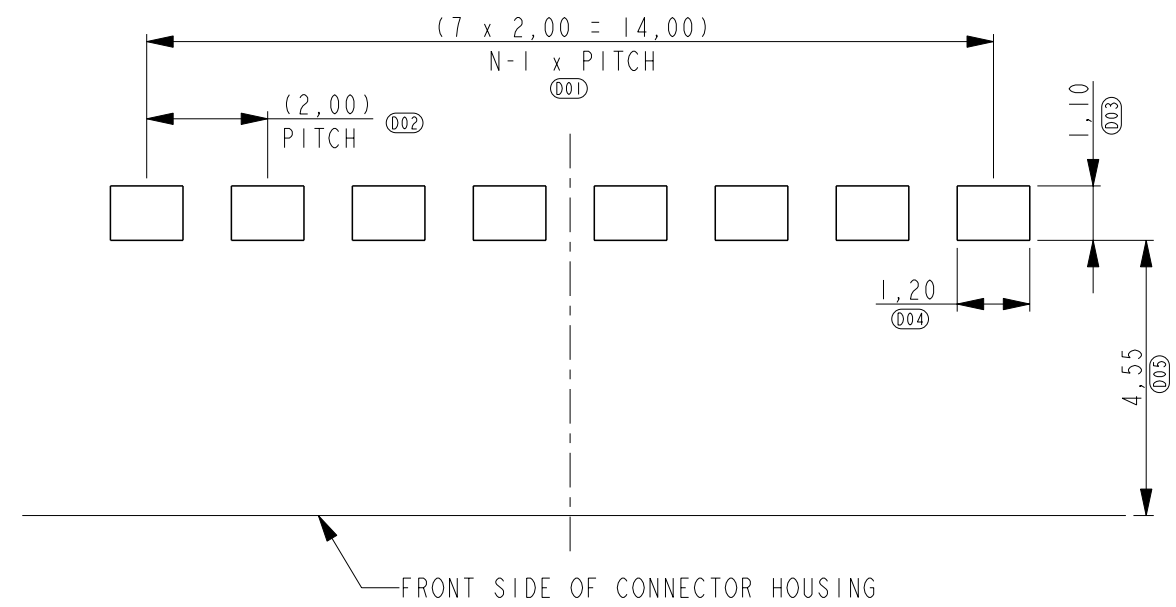
DIMENSIONS:	TOLERANCES UNLESS OTHERWISE SPECIFIED:
mm	
	0 PLC ±0,30
	1 PLC ±0,20
	2 PLC ±0,15
	3 PLC ±
	4 PLC ±
	ANGLES ±
MATERIAL -	FINISH -

DWN	A.W	01-APR-16
CHK	H.L	01-APR-16
APVD	H.L	01-APR-16
PRODUCT SPEC	108-19386	
APPLICATION SPEC	-	
WEIGHT	△ -	
CUSTOMER DRAWING		

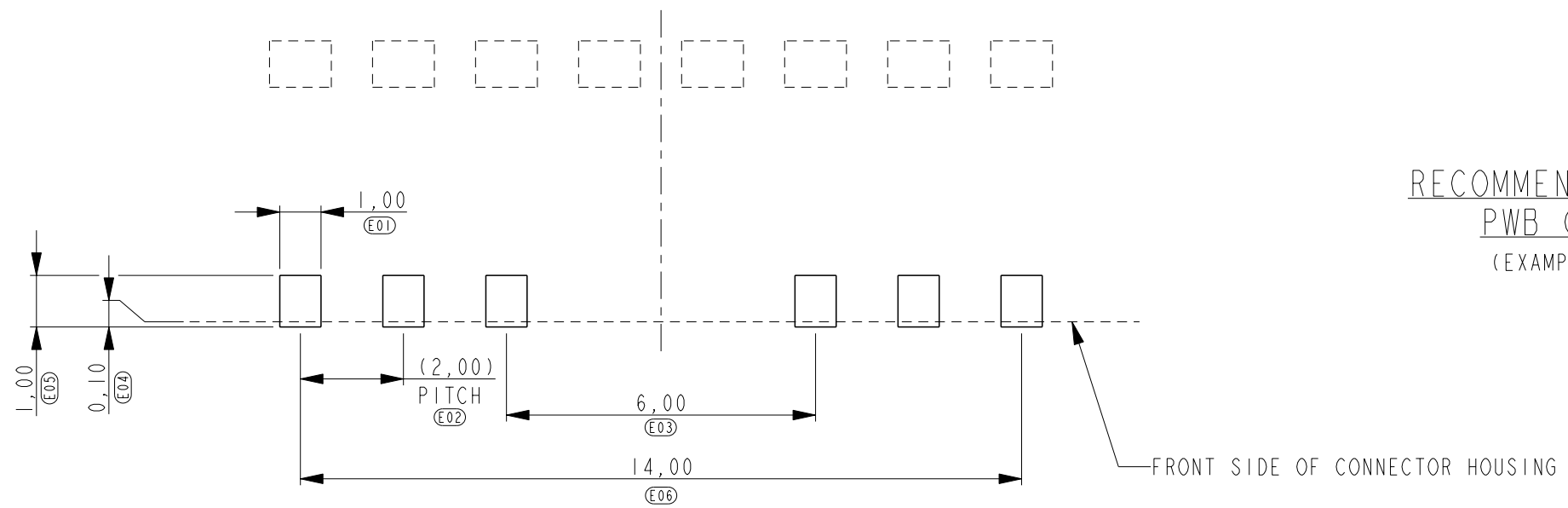
TE Connectivity		NAME	
		Board to Board 6 pin Connector	
SIZE	CAGE CODE	DRAWING NO	RESTRICTED TO
A3	00779	C-2287112	-
SCALE 8:1		SHEET 1 OF 3	REV A2

THIS DRAWING IS UNPUBLISHED. RELEASED FOR PUBLICATION
 © COPYRIGHT - BY - ALL RIGHTS RESERVED.

LOC		DIST		REVISIONS			
P	LTR	DESCRIPTION		DATE	DWN	APVD	
-	-	SEE SHEET 1		-	-	-	



RECOMMENDED PWB LAY-OUT
 PWB SOLDER SIDE
 (EXAMPLE FOR 2287112-2/3)



RECOMMENDED PWB LAY-OUT
 PWB CONTACT SIDE
 (EXAMPLE FOR 2287112-2/3)

THIS DRAWING IS A CONTROLLED DOCUMENT.		DWN A.W	01-APR-16	TE TE Connectivity	
DIMENSIONS: mm		CHK H.L	01-APR-16		
		TOLERANCES UNLESS OTHERWISE SPECIFIED:		NAME Board to Board 6 pin Connector	
		0 PLC ±0,30 1 PLC ±0,20 2 PLC ±0,15 3 PLC ± 4 PLC ± ANGLES ±-		APVD H.L	
MATERIAL material_2		FINISH finish_spec_2		PRODUCT SPEC 108-19386	
		APPLICATION SPEC -		SIZE A3	
		WEIGHT -		CAGE CODE 00779	
		CUSTOMER DRAWING		DRAWING NO C-2287112	
		SCALE 8:1		RESTRICTED TO -	
		SHEET 2 OF 3		REV A2	

THIS DRAWING IS UNPUBLISHED.

RELEASED FOR PUBLICATION

© COPYRIGHT - BY -

ALL RIGHTS RESERVED.

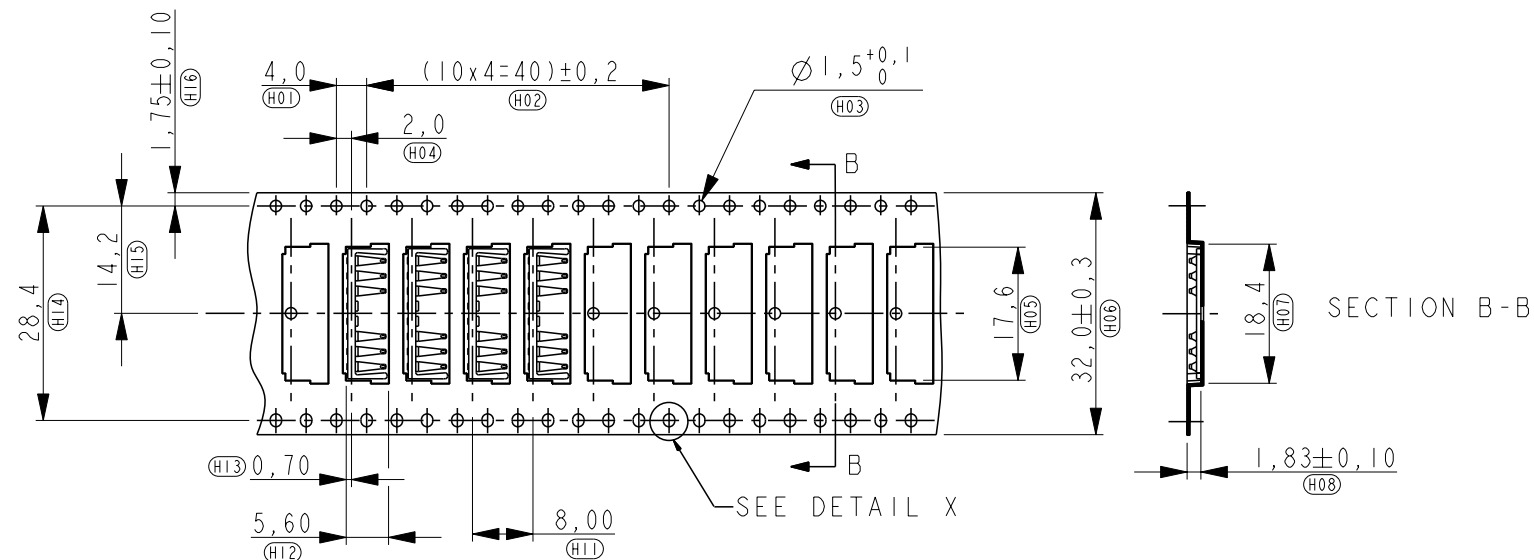
LOC DIST

REVISIONS

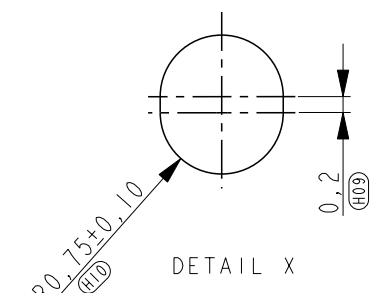
P	LTR	DESCRIPTION	DATE	DWN	APVD
-	-	SEE SHEET 1	-	-	-

2,00mm PITCH		CONTACT POSITIONS
		6
- PWB STACKING HEIGHT	- 0,70±0,30	2287112-2 2287112-3
- CONTACT HEIGHT (DIM B01)	- 1,425	
- HOUSING HEIGHT (DIM B03)	- 0,40 max.	
- WEIGHT	- 0,045 gr.	
- QTY PER REEL	- 4000 PCS	

REEL DIMENSIONS: 330x100x32,4



USER DIRECTION OF UNREELING



THIS DRAWING IS A CONTROLLED DOCUMENT.		DWN A.W	01-APR-16	TE Connectivity													
DIMENSIONS: mm		CHK H.L	01-APR-16														
TOLERANCES UNLESS OTHERWISE SPECIFIED:		APVD H.L	01-APR-16	NAME Board to Board 6 pin Connector													
<table border="0"> <tr><td>0 PLC</td><td>±0,30</td></tr> <tr><td>1 PLC</td><td>±0,20</td></tr> <tr><td>2 PLC</td><td>±0,15</td></tr> <tr><td>3 PLC</td><td>±</td></tr> <tr><td>4 PLC</td><td>±</td></tr> <tr><td>ANGLES</td><td>±</td></tr> </table>		0 PLC	±0,30	1 PLC	±0,20	2 PLC	±0,15	3 PLC	±	4 PLC	±	ANGLES	±	PRODUCT SPEC 108-19386		SIZE A3	
0 PLC	±0,30																
1 PLC	±0,20																
2 PLC	±0,15																
3 PLC	±																
4 PLC	±																
ANGLES	±																
MATERIAL material_2		APPLICATION SPEC -		CAGE CODE 00779	DRAWING NO C-2287112												
FINISH finish_spec_2		WEIGHT -		RESTRICTED TO -	SCALE 8:1												
CUSTOMER DRAWING				SHEET 3 OF 3	REV A2												