



Chipsmall Limited consists of a professional team with an average of over 10 year of expertise in the distribution of electronic components. Based in Hongkong, we have already established firm and mutual-benefit business relationships with customers from,Europe,America and south Asia,supplying obsolete and hard-to-find components to meet their specific needs.

With the principle of “Quality Parts,Customers Priority,Honest Operation,and Considerate Service”,our business mainly focus on the distribution of electronic components. Line cards we deal with include Microchip,ALPS,ROHM,Xilinx,Pulse,ON,Everlight and Freescale. Main products comprise IC,Modules,Potentiometer,IC Socket,Relay,Connector.Our parts cover such applications as commercial,industrial, and automotives areas.

We are looking forward to setting up business relationship with you and hope to provide you with the best service and solution. Let us make a better world for our industry!



Contact us

Tel: +86-755-8981 8866 Fax: +86-755-8427 6832

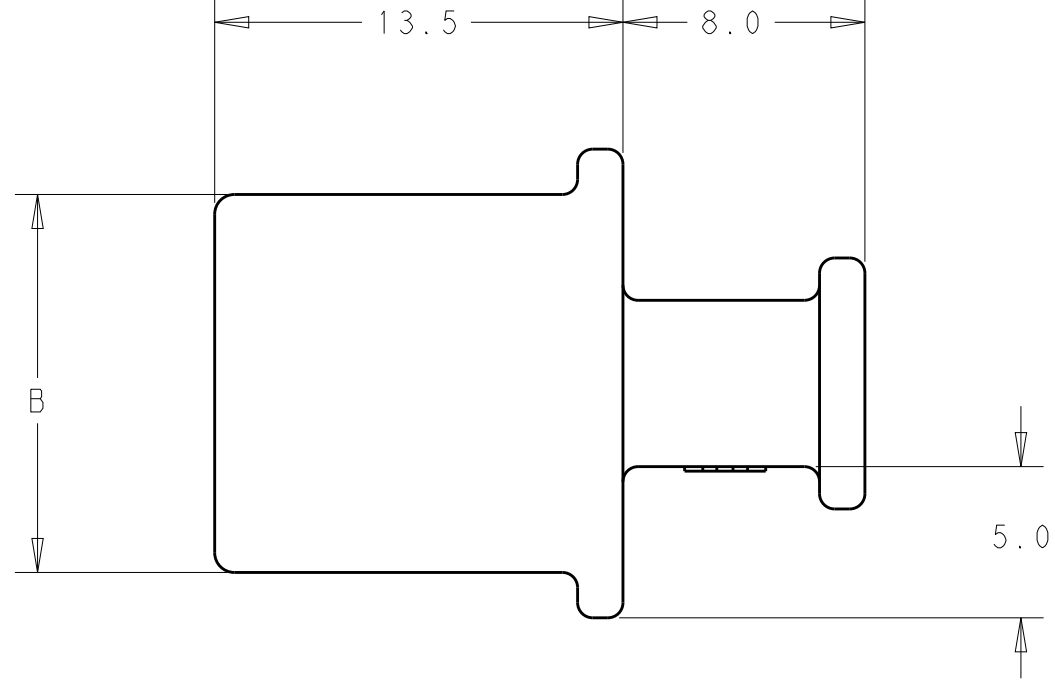
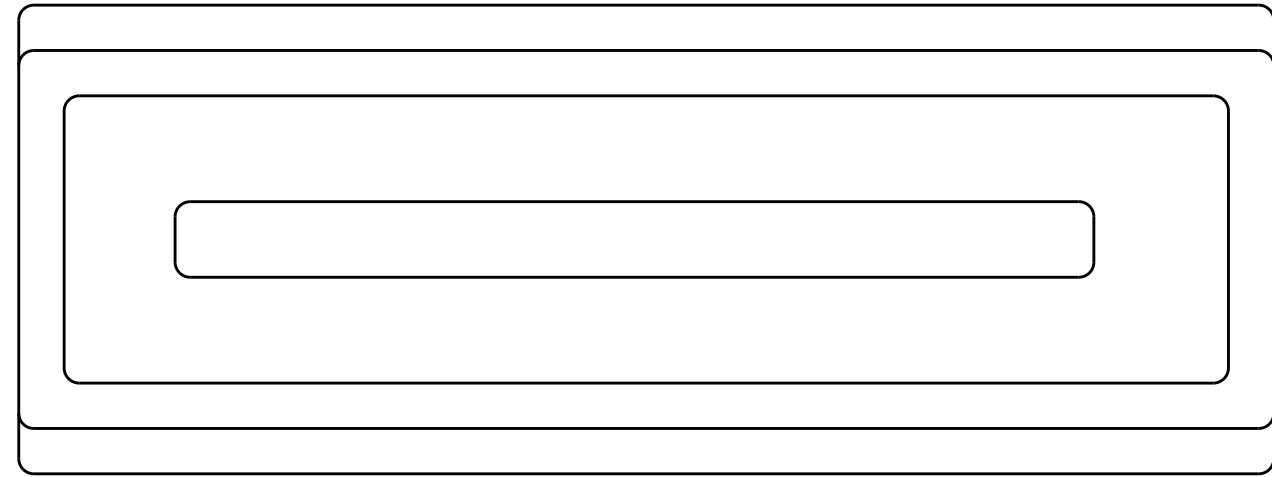
Email & Skype: info@chipsmall.com Web: www.chipsmall.com

Address: A1208, Overseas Decoration Building, #122 Zhenhua RD., Futian, Shenzhen, China

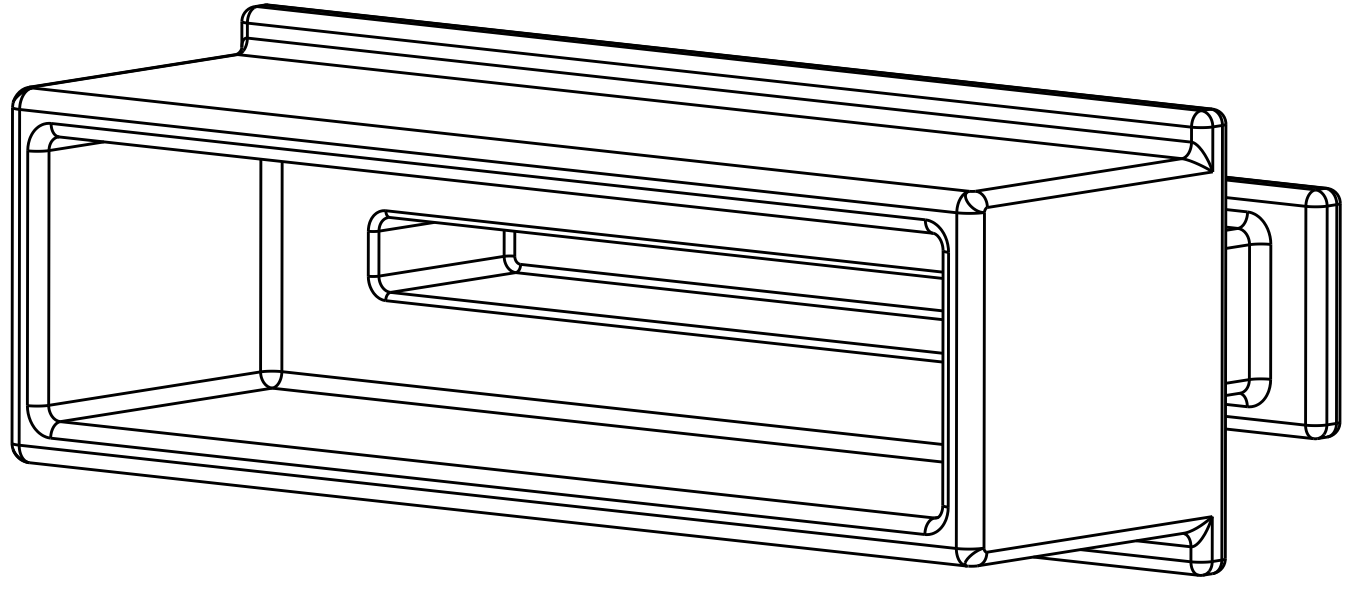
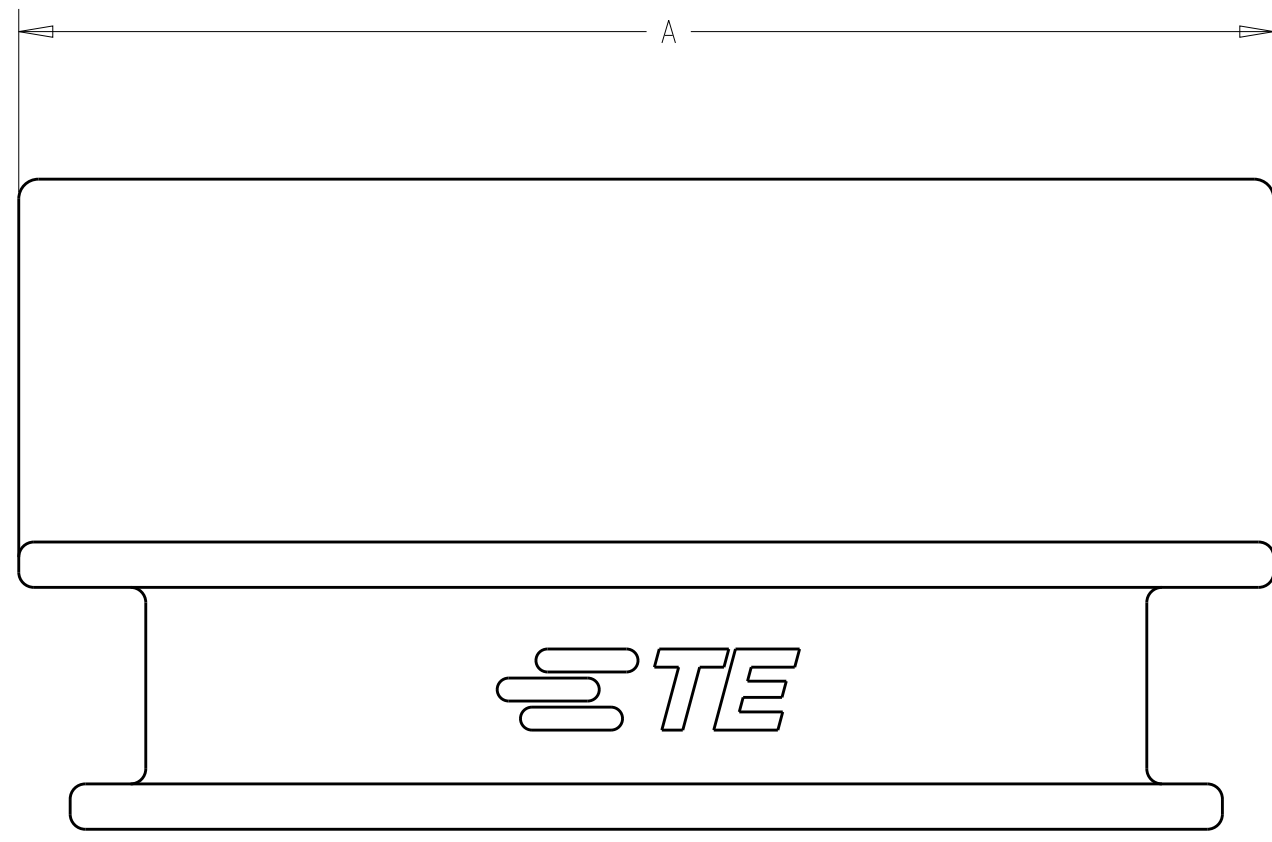


THIS DRAWING IS UNPUBLISHED. RELEASED FOR PUBLICATION 20
 © COPYRIGHT 20 BY - ALL RIGHTS RESERVED.

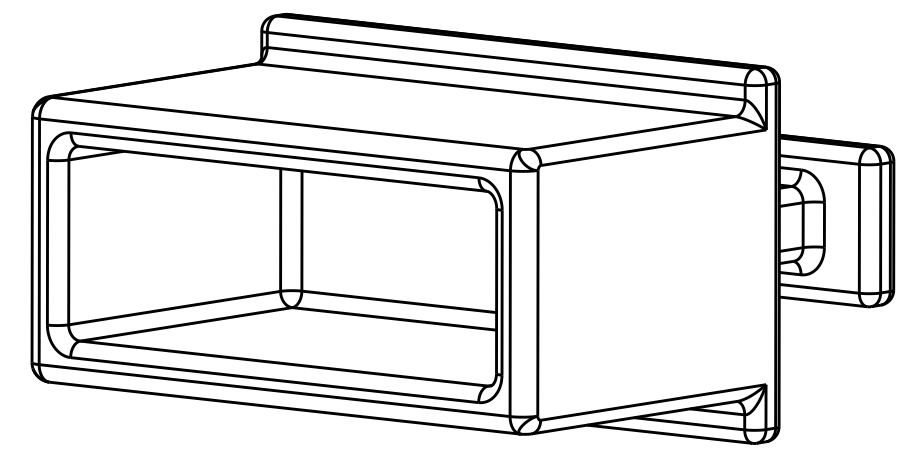
REVISIONS				
P	LTR	DESCRIPTION	DATE	APVD
A		INITIAL RELEASE	02MAY2018	AD SH



1 MATERIAL: ZINC ALLOY;
 2 PLATING: 1.27um MIN. NICKEL PLATING OVER COPPER UNDER PLATED.



2288221-1
(FOR CFP2)



2288221-3
(FOR CFP4)

THIS PRINT IS
PRELIMINARY
 UNQUALIFIED PRODUCT
 CONTACT PRODUCT ENGINEERING
 BEFORE USING THIS PRINT

9.5±0.10	21.5±0.10	2288221-3
12.5±0.10	41.5±0.10	2288221-1
B	A	PART NUMBER

THIS DRAWING IS A CONTROLLED DOCUMENT.		DWN ANDY.XIE 24NOV2015	TE Connectivity	
		CHK - 24NOV2015		
		APVD SEAN.HAN 24NOV2015	NAME EMI/DUST COVER, CFP2 AND CFP4	
DIMENSIONS: mm		PRODUCT SPEC -	SIZE A2	CAGE CODE -
TOLERANCES UNLESS OTHERWISE SPECIFIED:		APPLICATION SPEC -	DRAWING NO C-2288221	RESTRICTED TO -
0 PLC ±		WEIGHT -	SCALE 2:1	SHEET 1 OF 1
1 PLC ±0.25		CUSTOMER DRAWING	REV A	
2 PLC ±0.13				
3 PLC ±0.10				
4 PLC ±				
ANGLES ±1				
FINISH -				