



Chipsmall Limited consists of a professional team with an average of over 10 year of expertise in the distribution of electronic components. Based in Hongkong, we have already established firm and mutual-benefit business relationships with customers from,Europe,America and south Asia,supplying obsolete and hard-to-find components to meet their specific needs.

With the principle of “Quality Parts,Customers Priority,Honest Operation,and Considerate Service”,our business mainly focus on the distribution of electronic components. Line cards we deal with include Microchip,ALPS,ROHM,Xilinx,Pulse,ON,Everlight and Freescale. Main products comprise IC,Modules,Potentiometer,IC Socket,Relay,Connector.Our parts cover such applications as commercial,industrial, and automotives areas.

We are looking forward to setting up business relationship with you and hope to provide you with the best service and solution. Let us make a better world for our industry!



## Contact us

Tel: +86-755-8981 8866 Fax: +86-755-8427 6832

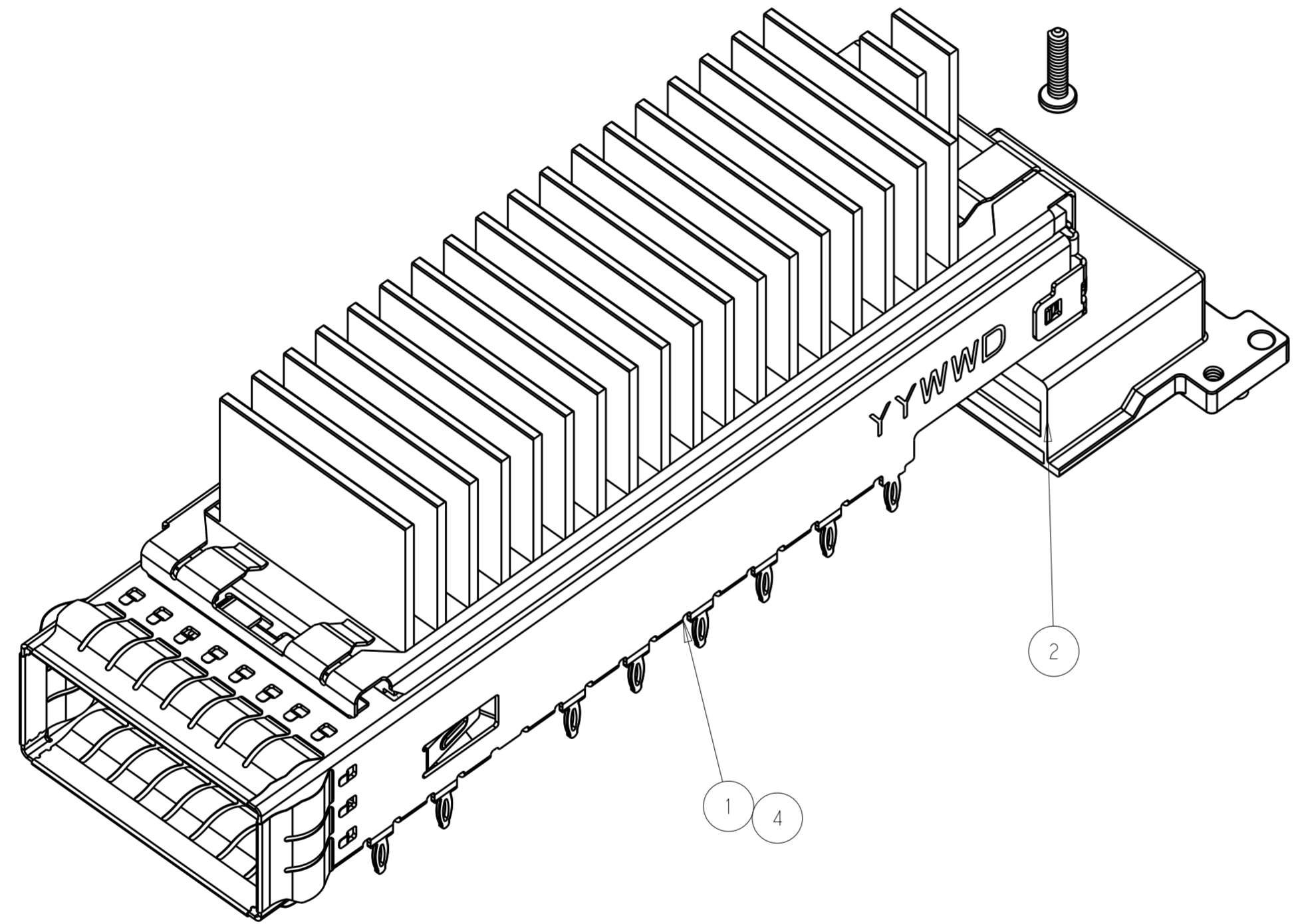
Email & Skype: info@chipsmall.com Web: www.chipsmall.com

Address: A1208, Overseas Decoration Building, #122 Zhenhua RD., Futian, Shenzhen, China



THIS DRAWING IS UNPUBLISHED. RELEASED FOR PUBLICATION 20  
 © COPYRIGHT 20 BY - ALL RIGHTS RESERVED.

REVISIONS					
P	LTR	DESCRIPTION	DATE	DWN	APVD
1		PRELIMINARY DRAWING	16JUN2015	AD	SH
2		ADD NEW DASH NUMBER	19JUN2015	AD	SH
4		REVISE BOM	25JUN2015	AD	SH
8		ADDED DASH NUMBER 2288226-4	06FEB2017	TX	SH



- 1. MATERIAL : CAGE :0.3MM THICK NICKEL SILVER ALLOY;  
EMI SPRING: COPPER ALLOY;  
HEAT SINK CLIP: STAINLESS STEEL;  
HEAT SINK:ALUMINUM ALLOY;  
RECEPTACLE COVER:ZINC ALLOY;
- 2. FINISH: EMI SPRING -1.27um NICKEL PALTING OVER ALL;  
HEAT SINK:BLACK ANODIZED COATING;  
RECEPTACLE COVER: 1.27um MIN NICKEL PLATING OVER COPPER PLATING;  
HEAT SINK CLIP: PASSIVATE;
- 3.MATES WITH CFP MSA COMPLIANT TRANSCEIVERS.
- 4.DATUM AND BASIC DIMENSION ESTABLISHED BY CUSTOMER.
- 5.MINIMUM PC BOARD THICKNESS: SIGLE SIDE APPLICATIONS=2.99±0.63mm.
- 6.PADS AND VIAS CHASSIS GROUND;
- 7:REFERENCE APPLICATION SPEC 114-XXXX,HOLE A, FOR  
RECOMMENDED DRILL HOLE DIAMETER AND PLATING THICKNESS.

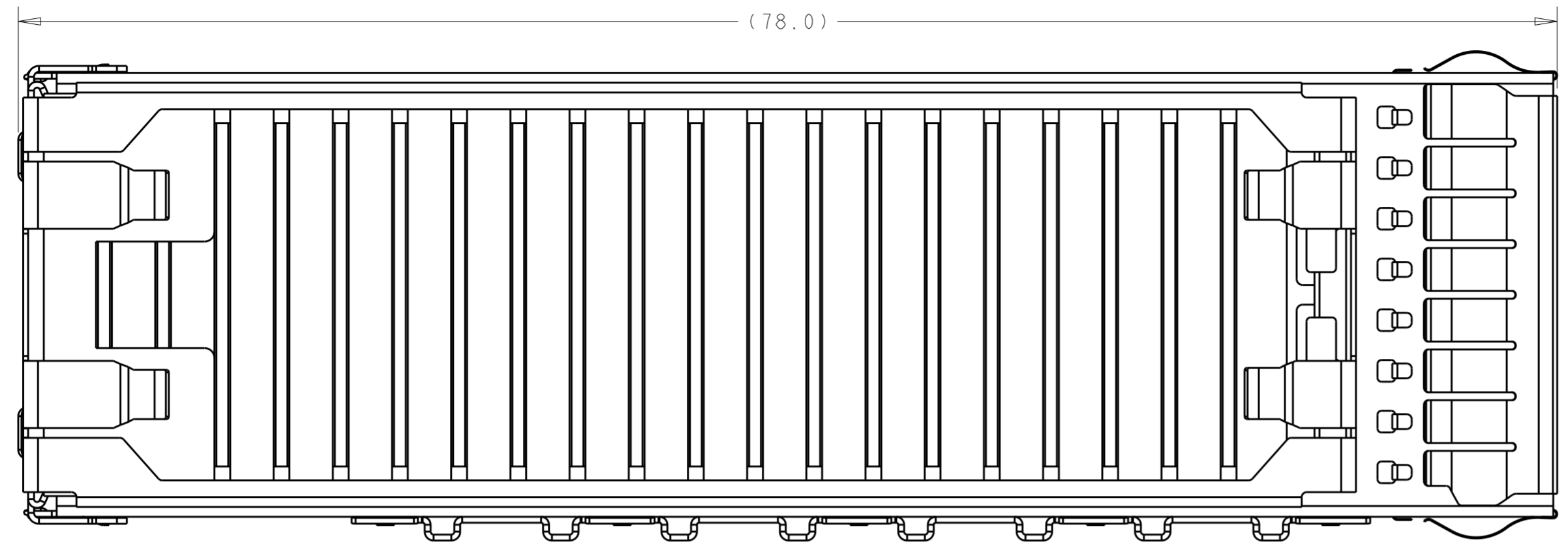
THIS PRINT IS  
**PRELIMINARY**  
 UNQUALIFIED PRODUCT  
 CONTACT PRODUCT ENGINEERING  
 BEFORE USING THIS PRINT

1	-	-	-	2293289-6		
-	1	-	-	2293289-5	CAGE ASSEMBLY WITH HS,CFP4 1X1	4
-	-	1	-	2293289-2		
2	2	2	2	2292789-1	SCREW	3
1	1	1	1	2288228-1	RECEPTACLE COVER ASSEMBLY	2
-	-	-	1	2293289-1	CAGE ASSEMBLY WITH HS,CFP4 1X1	1
-4	-3	-2	-1	PAR NUMBER	DESCRIPTION	ITEM

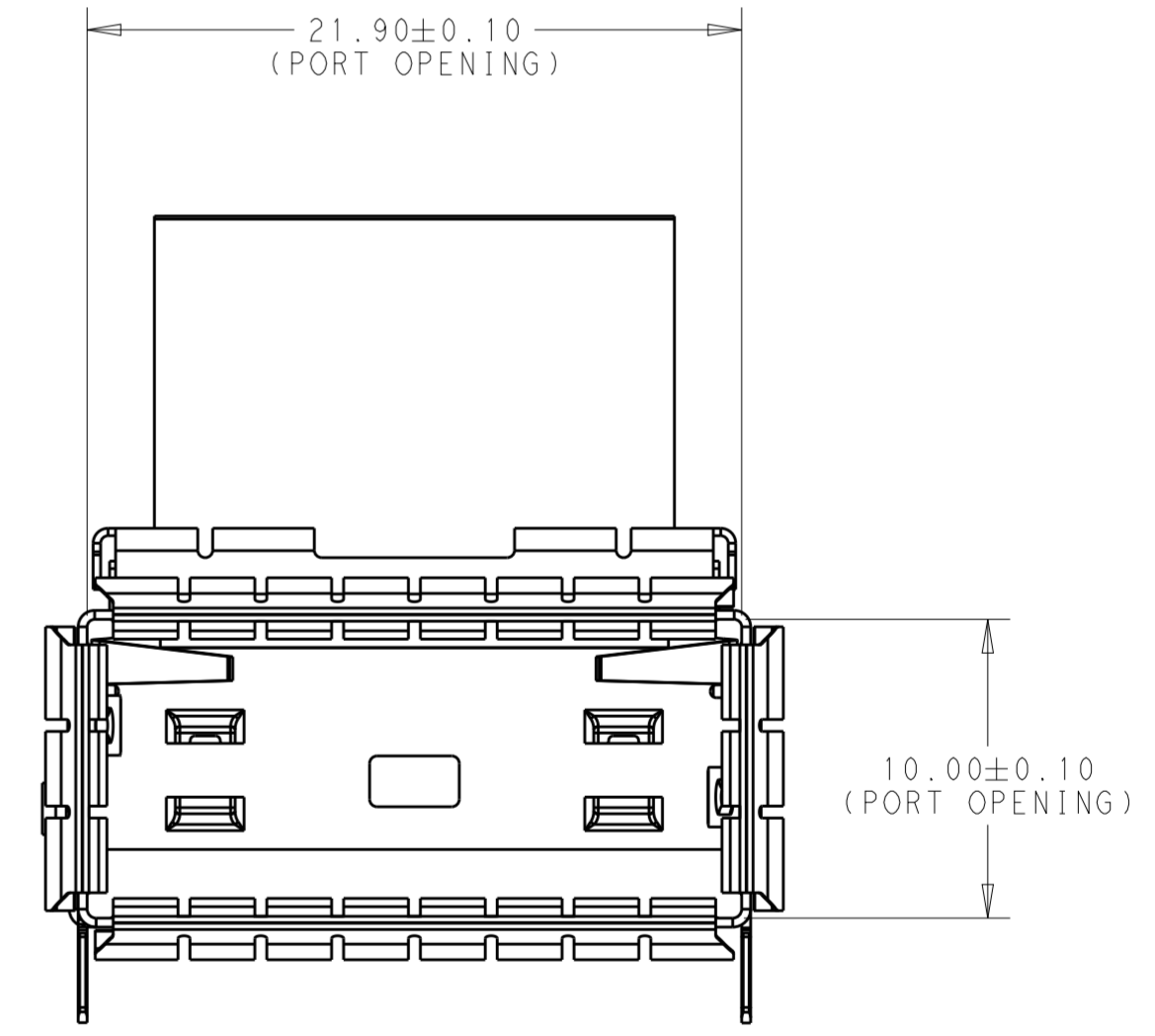
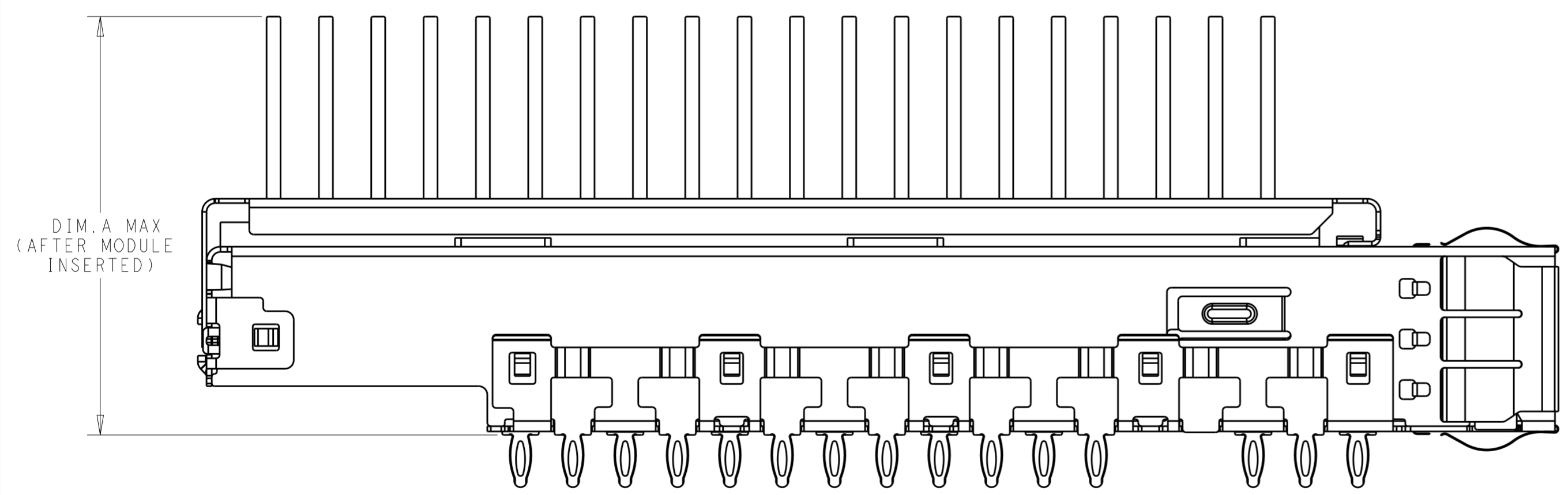
THIS DRAWING IS A CONTROLLED DOCUMENT.		DWN ANDY.XIE 12JUN2015	TE Connectivity	
		CHK SEAN.HAN 12JUN2015		
		APVD SEAN.HAN 12JUN2015		
		PRODUCT SPEC		
DIMENSIONS: mm		TOLERANCES UNLESS OTHERWISE SPECIFIED:		NAME HARD WARE KIT FOR CFP4 1X1 PRESS FIT (CAGE, HS, HS CLIP, COVER, SCREW)
		0 PLC ± 1 PLC ±0.25 2 PLC ±0.13 3 PLC ±0.10 4 PLC ± ANGLES ± FINISH 2		SIZE A2
MATERIAL		FINISH		CAGE CODE -
1		2		DRAWING NO C-2288226
CUSTOMER DRAWING		SCALE 1:1		RESTRICTED TO -
		SHEET 1 OF 7		REV 8

THIS DRAWING IS UNPUBLISHED. RELEASED FOR PUBLICATION 20  
 © COPYRIGHT 20 BY - ALL RIGHTS RESERVED.


REVISIONS				
P	LTR	DESCRIPTION	DATE	APVD
-		SEE SHEET 1	-	-



THIS PRINT IS  
**PRELIMINARY**  
 UNQUALIFIED PRODUCT  
 CONTACT PRODUCT ENGINEERING  
 BEFORE USING THIS PRINT

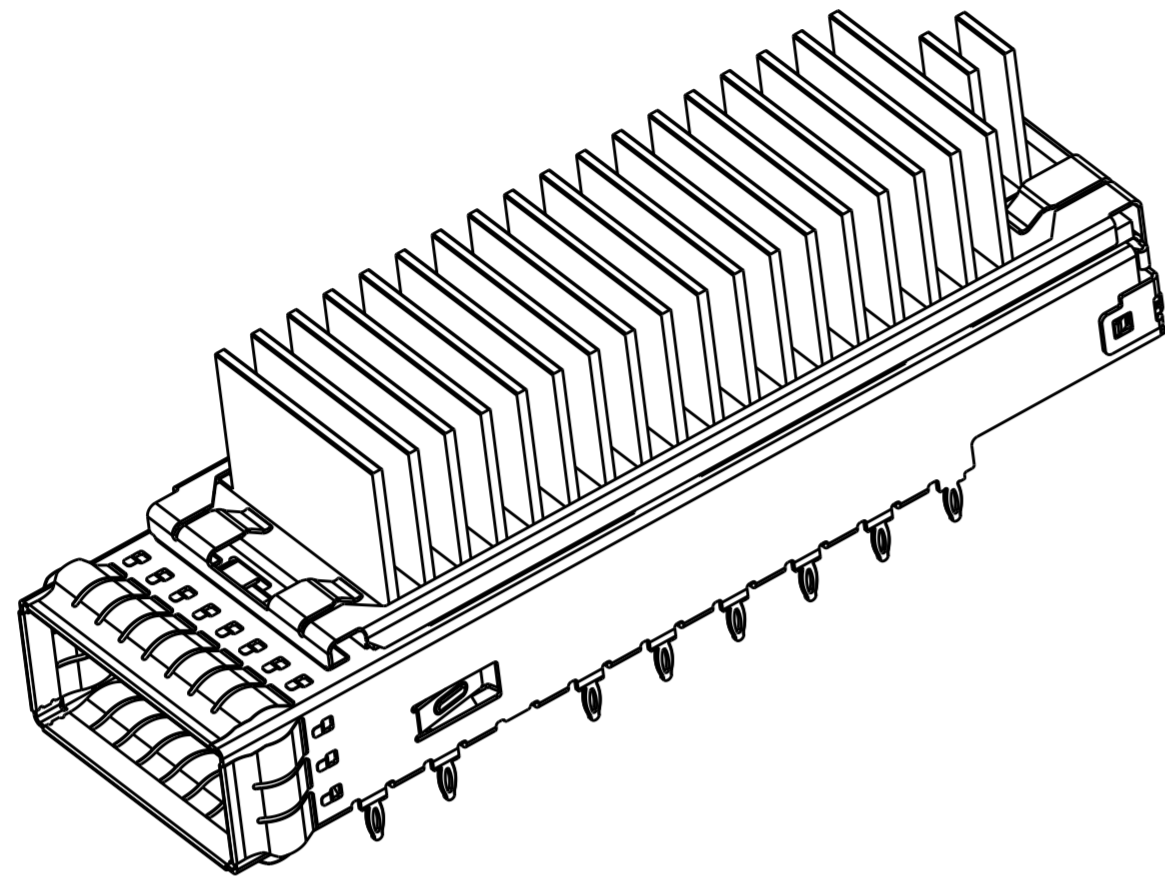


18.5MAX	2293289-6
18.5MAX	2293289-5
25MAX	2293289-2
25MAX	2293289-1
DIM. A	PART NUMBER

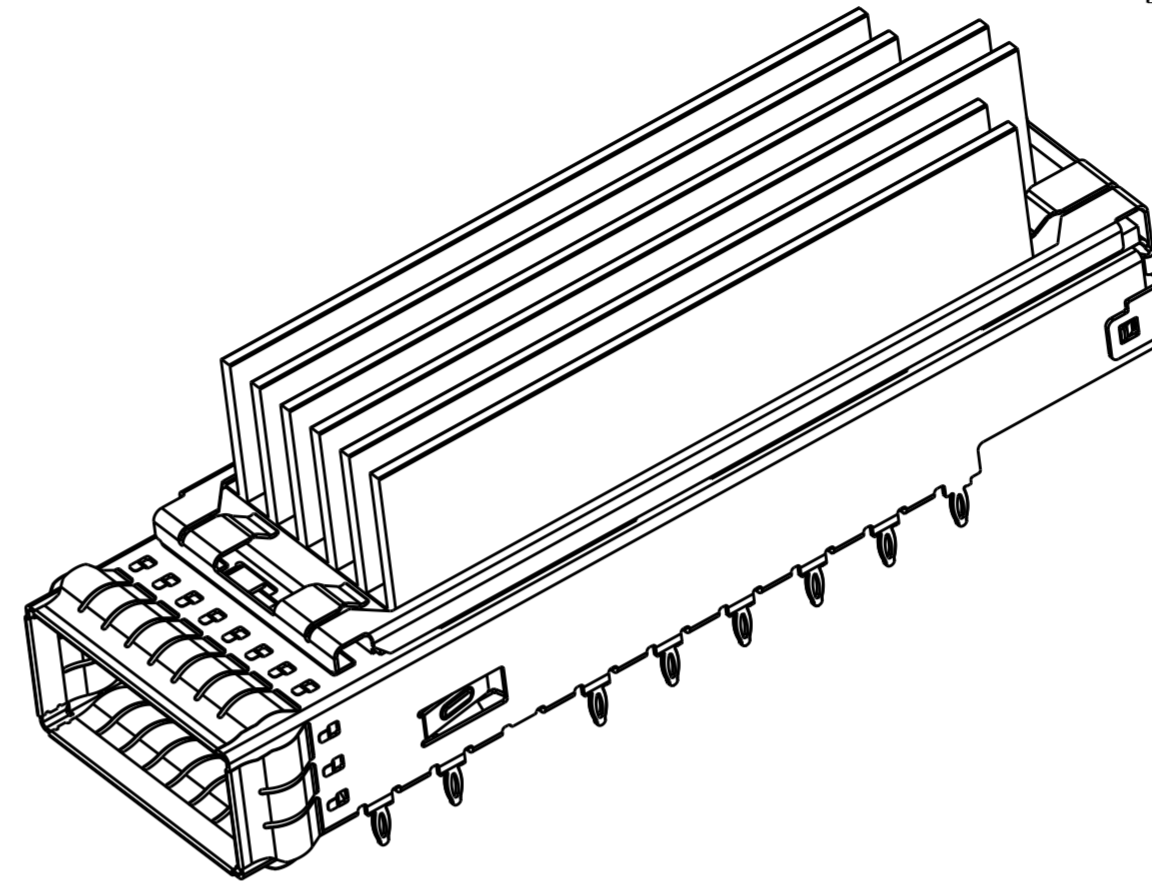
THIS DRAWING IS A CONTROLLED DOCUMENT.		DWN ANDY.XIE 12JUN2015	 TE Connectivity		
DIMENSIONS:		CHK SEAN.HAN 12JUN2015			
TOLERANCES UNLESS OTHERWISE SPECIFIED:		APVD SEAN.HAN 12JUN2015			
mm		PRODUCT SPEC			
0 PLC ± 1 PLC ±0.25 2 PLC ±0.13 3 PLC ±0.10 4 PLC ± ANGLES ± FINISH ±		APPLICATION SPEC	NAME HARD WARE KIT FOR CFP4 1X1 PRESS FIT (CAGE, HS, HS CLIP, COVER, SCREW)		
MATERIAL		WEIGHT	SIZE A2	CAGE CODE -	DRAWING NO. C-2288226
-		-	RESTRICTED TO -		SCALE 1:1
		CUSTOMER DRAWING	SHEET 2 OF 7		REV 8

THIS DRAWING IS UNPUBLISHED. RELEASED FOR PUBLICATION 20  
 © COPYRIGHT 20 BY - ALL RIGHTS RESERVED.

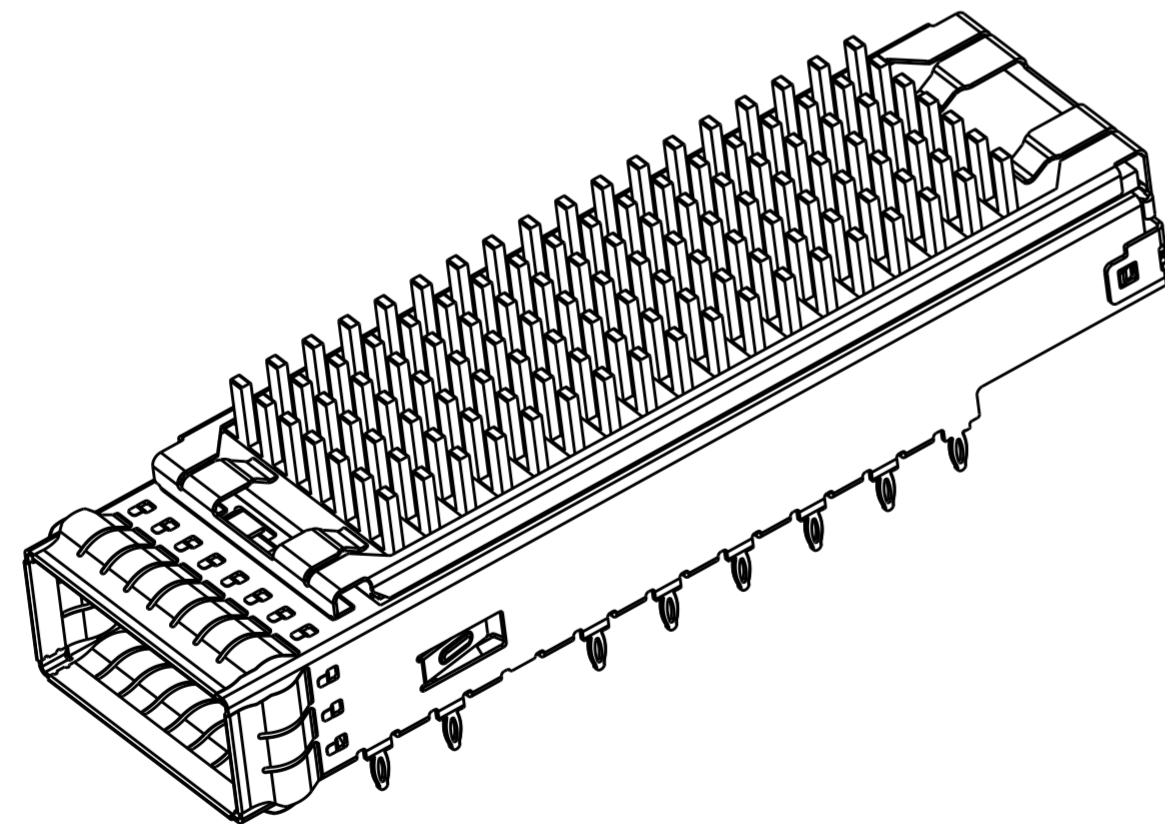
REVISIONS				
P	LTR	DESCRIPTION	DATE	APVD
-		SEE SHEET 1	-	-



2293289-1  
 2293289-6  
 SCALE 2:1




2293289-2  
 SCALE 2:1



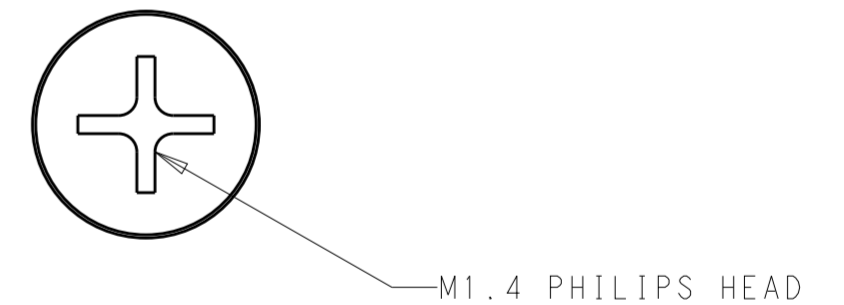
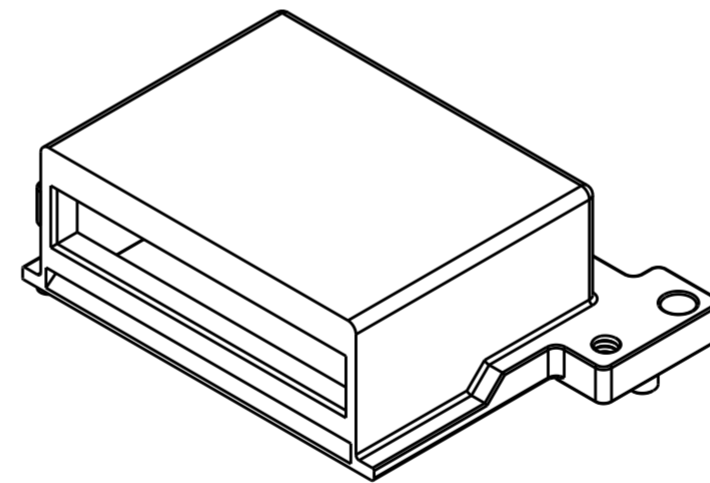
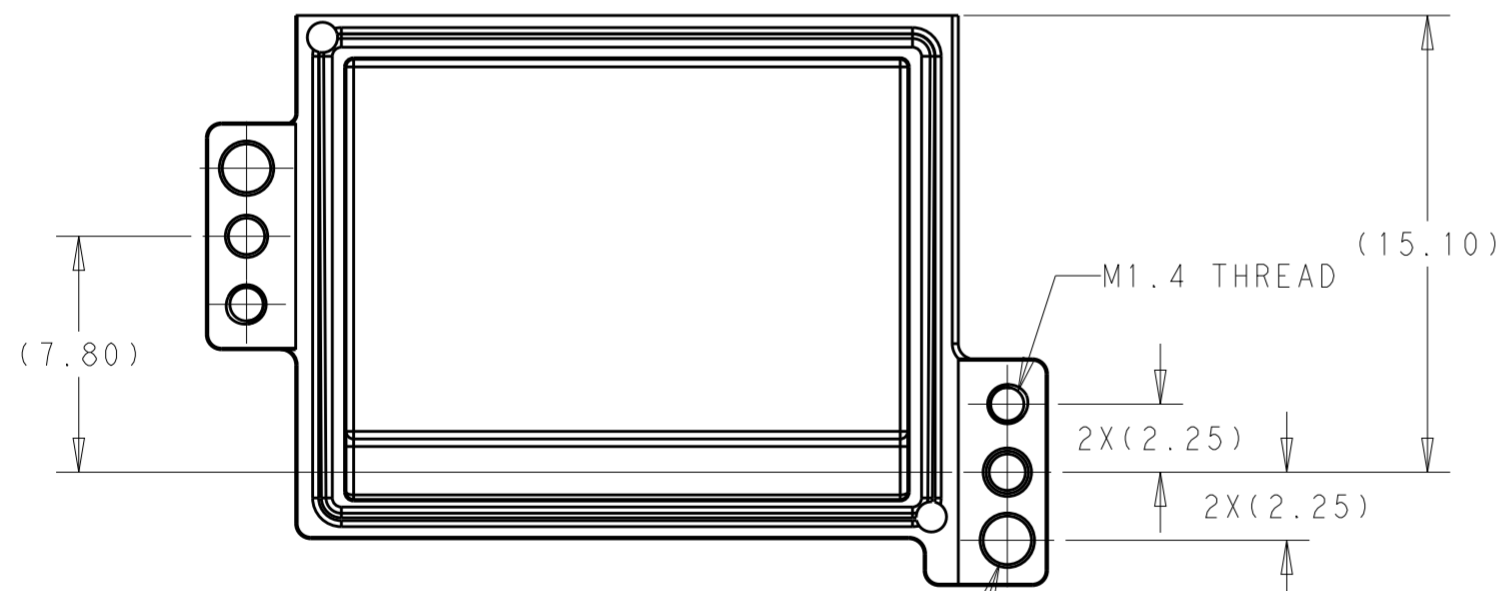
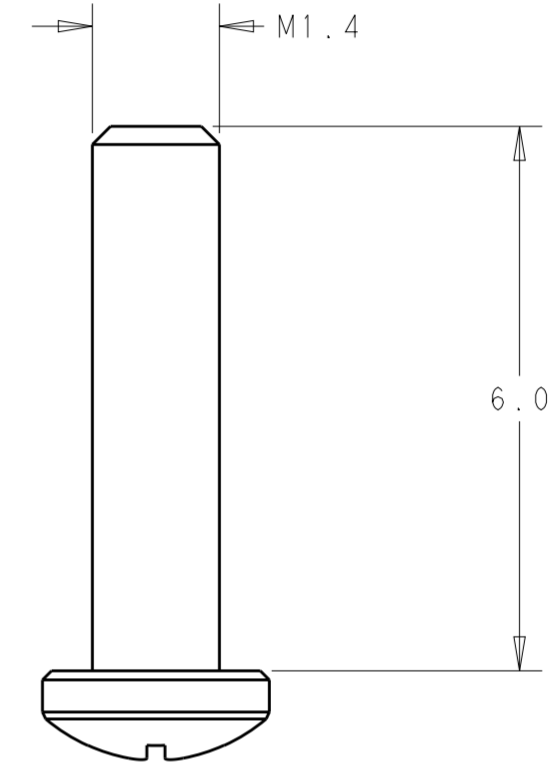
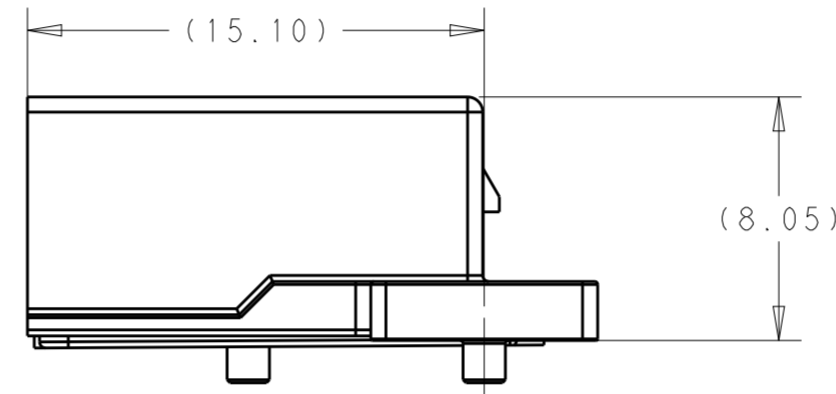
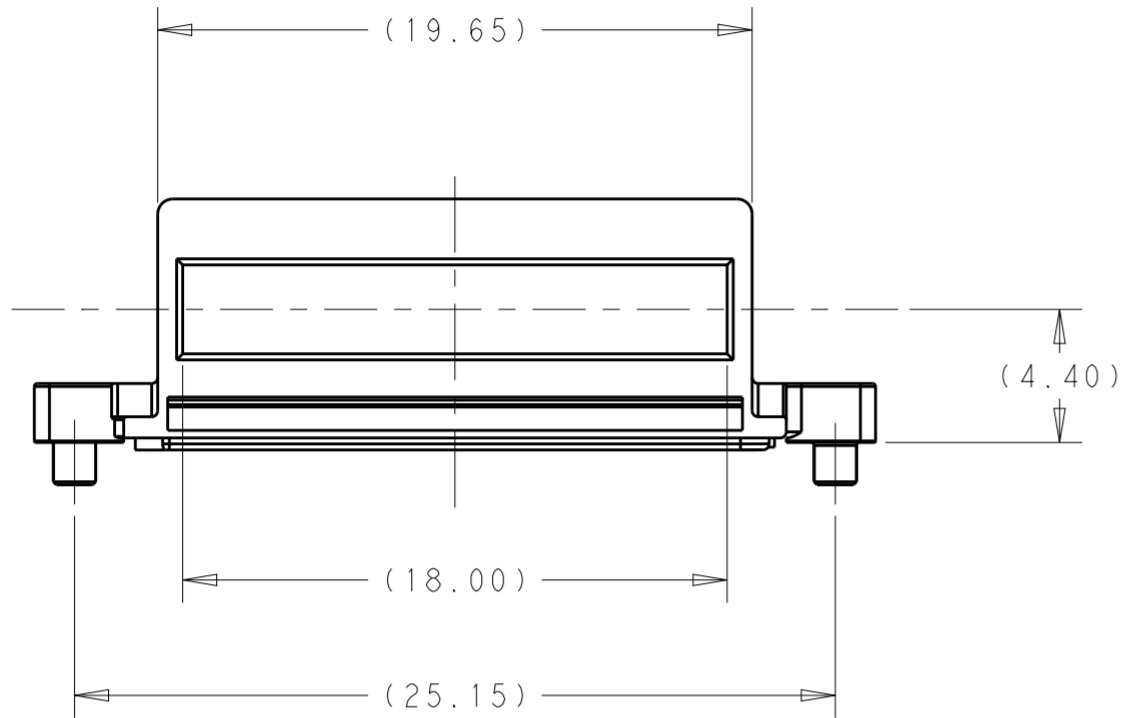
2293289-5  
 SCALE 2:1

THIS PRINT IS  
**PRELIMINARY**  
 UNQUALIFIED PRODUCT  
 CONTACT PRODUCT ENGINEERING  
 BEFORE USING THIS PRINT

THIS DRAWING IS A CONTROLLED DOCUMENT.		DWN ANDY.XIE 12JUN2015	 TE Connectivity		
		CHK SEAN.HAN 12JUN2015			
		APVD SEAN.HAN 12JUN2015			
		PRODUCT SPEC			
DIMENSIONS:		NAME		HARD WARE KIT FOR CFP4 1X1	
mm	TOLERANCES UNLESS OTHERWISE SPECIFIED:	APPLICATION SPEC		PRESS FIT	
	0 PLC ±-	WEIGHT		(CAGE, HS, HS CLIP, COVER, SCREW)	
	1 PLC ±0.25	SIZE		A2	
	2 PLC ±0.13	CAGE CODE		-	
	3 PLC ±0.10	DRAWING NO		G-2288226	
	4 PLC ±-	RESTRICTED TO		-	
	ANGLES ±-	SCALE		1:1	
	FINISH	SHEET		3 OF 7	
MATERIAL		REV		8	
		CUSTOMER DRAWING			

THIS DRAWING IS UNPUBLISHED. RELEASED FOR PUBLICATION 20  
 © COPYRIGHT 20 BY - ALL RIGHTS RESERVED.

REVISIONS				
P	LTR	DESCRIPTION	DATE	APVD
-	-	SEE SHEET 1	-	-



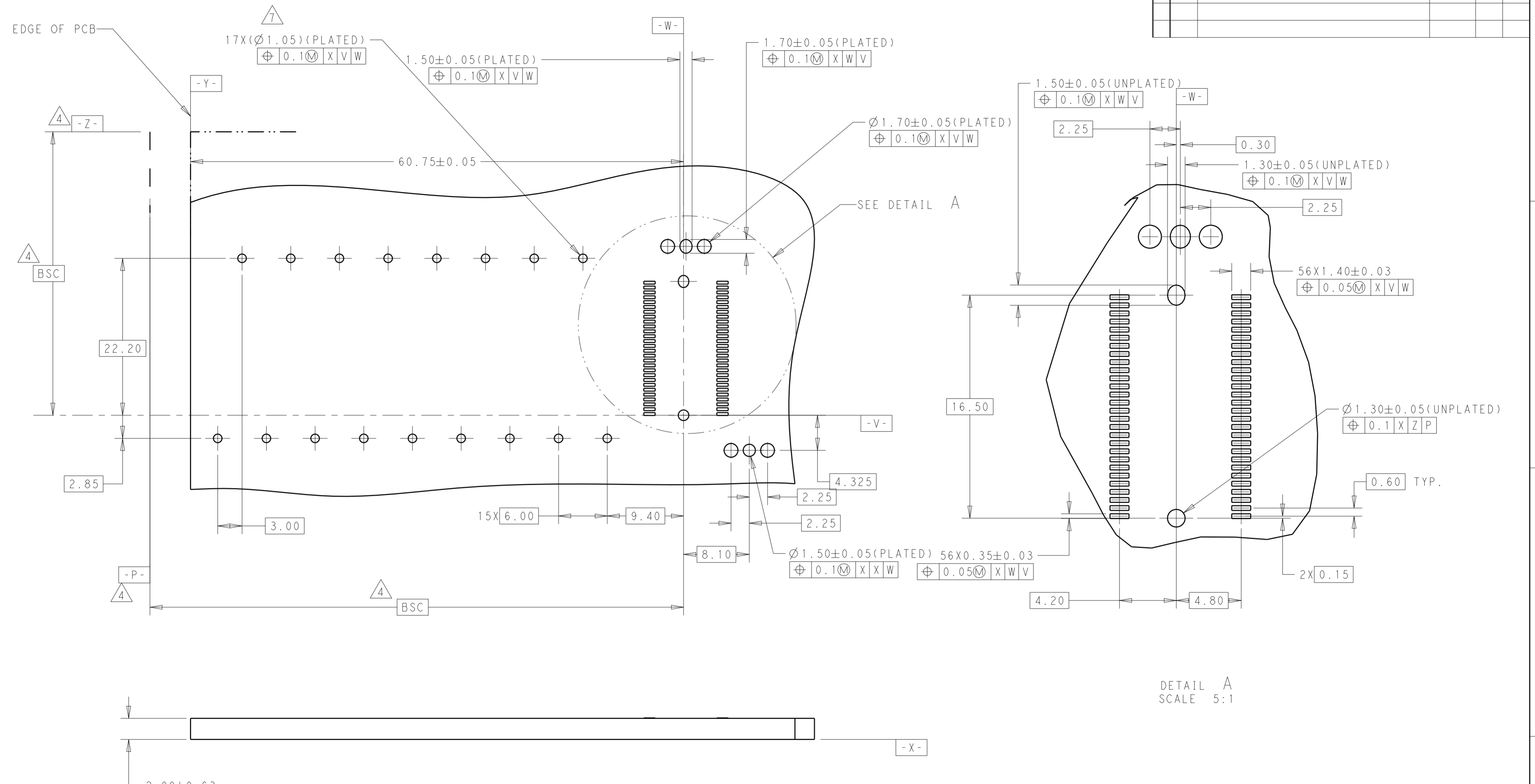
EM12 SKET ±0.08

THIS PRINT IS  
**PRELIMINARY**  
 UNQUALIFIED PRODUCT  
 CONTACT PRODUCT ENGINEERING  
 BEFORE USING THIS PRINT

THIS DRAWING IS A CONTROLLED DOCUMENT.		DWN ANDY.XIE 12JUN2015	TE Connectivity	
DIMENSIONS: mm		CHK SEAN.HAN 12JUN2015		
TOLERANCES UNLESS OTHERWISE SPECIFIED:		APVD SEAN.HAN 12JUN2015	NAME HARD WARE KIT FOR CFP4 1X1 PRESS FIT (CAGE, HS, HS CLIP, COVER, SCREW)	
0 PLC ± 1 PLC ±0.25 2 PLC ±0.13 3 PLC ±0.10 4 PLC ±		PRODUCT SPEC -	SIZE A2	CAGE CODE -
MATERIAL -		FINISH -	DRAWING NO C-2288226	RESTRICTED TO -
CUSTOMER DRAWING		WEIGHT -	SCALE 1:1	SHEET 4 OF 7
				REV 8

THIS DRAWING IS UNPUBLISHED.  
 RELEASED FOR PUBLICATION 20  
 BY - ALL RIGHTS RESERVED.

REVISIONS				
P	LTR	DESCRIPTION	DATE	APVD
-	-	SEE SHEET 1	-	-

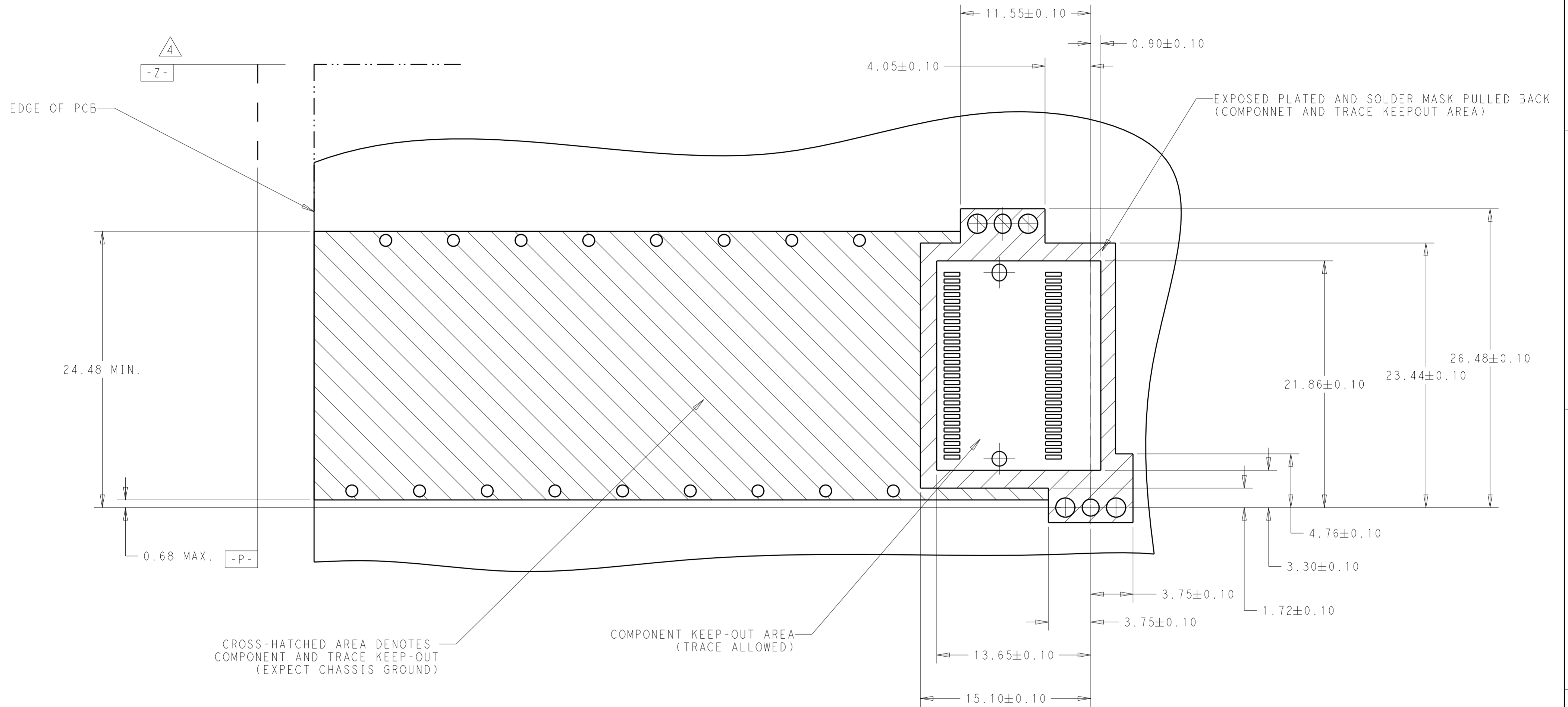


THIS PRINT IS  
**PRELIMINARY**  
 UNQUALIFIED PRODUCT  
 CONTACT PRODUCT ENGINEERING  
 BEFORE USING THIS PRINT

THIS DRAWING IS A CONTROLLED DOCUMENT.		DWN ANDY.XIE 12JUN2015	TE Connectivity			
		CHK SEAN.HAN 12JUN2015				
		APVD SEAN.HAN 12JUN2015				
		NAME HARD WARE KIT FOR CFP4 1X1 PRESS FIT (CAGE, HS, HS CLIP, COVER, SCREW)				
DIMENSIONS:	TOLERANCES UNLESS OTHERWISE SPECIFIED:	PRODUCT SPEC	SIZE	CAGE CODE	DRAWING NO	RESTRICTED TO
mm	0 PLC ± 1 PLC ±0.25 2 PLC ±0.13 3 PLC ±0.10 4 PLC ± ANGLES ± FINISH	-	A2	-	C-2288226	-
MATERIAL		APPLICATION SPEC	SCALE	SHEET	REV	
-	-	WEIGHT	1:1	5 OF 7	8	
CUSTOMER DRAWING						

THIS DRAWING IS UNPUBLISHED. RELEASED FOR PUBLICATION 20  
 © COPYRIGHT 20 BY - ALL RIGHTS RESERVED.

REVISIONS				
P	LTR	DESCRIPTION	DATE	APVD
-		SEE SHEET 1	-	-



CROSS-HATCHED AREA DENOTES  
 COMPONENT AND TRACE KEEP-OUT  
 (EXPECT CHASSIS GROUND)

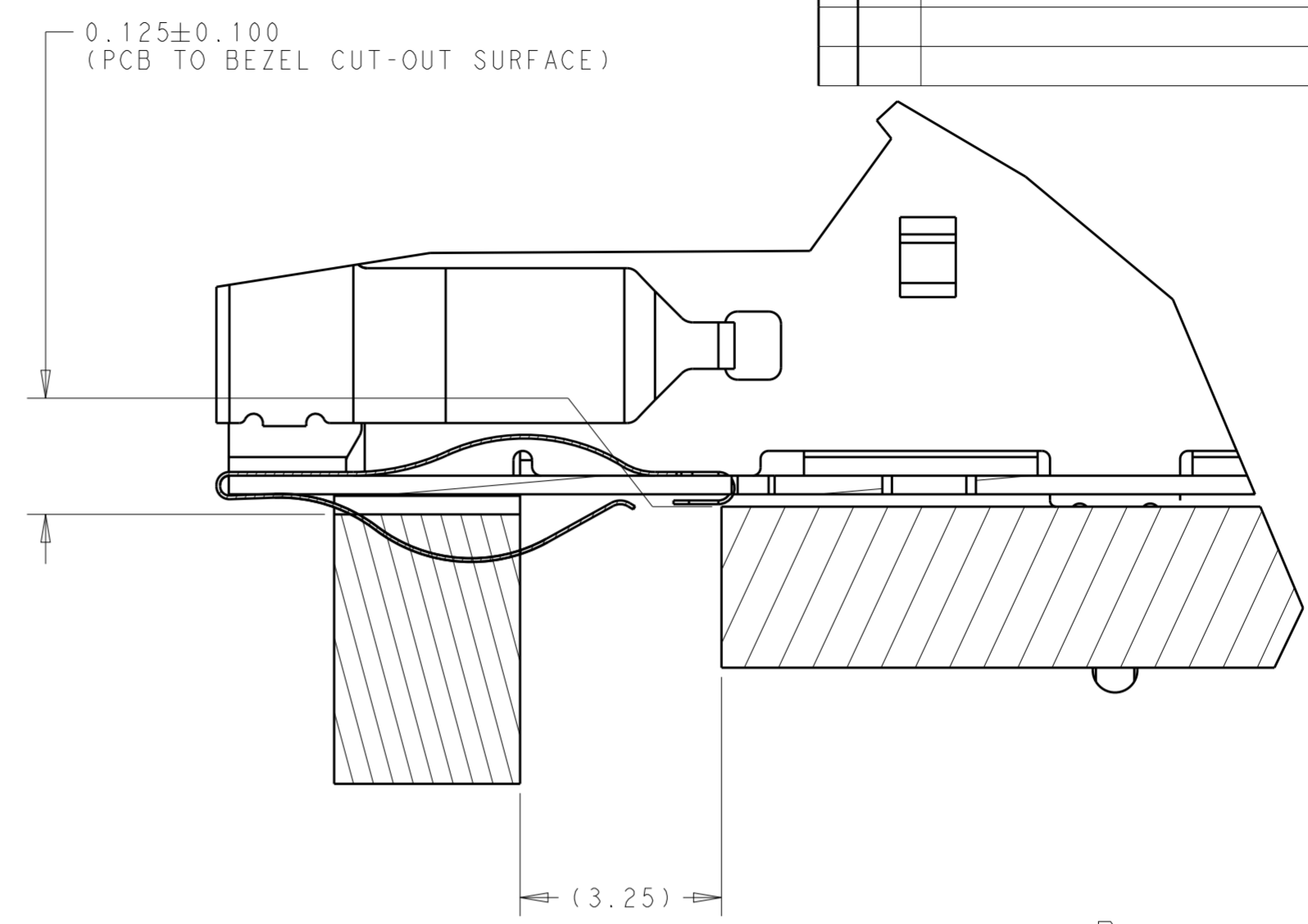
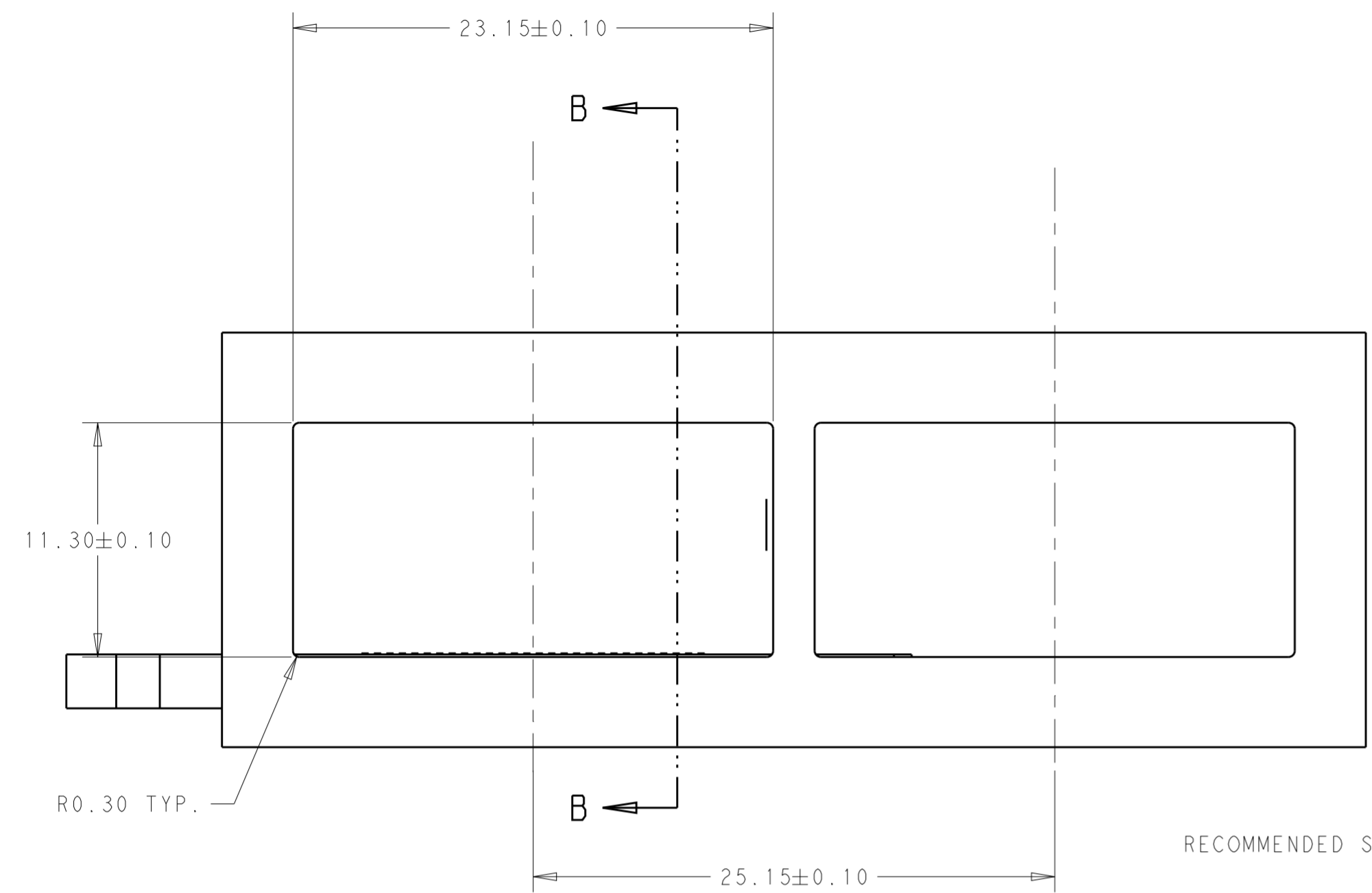
COMPONENT KEEP-OUT AREA  
 (TRACE ALLOWED)

THIS PRINT IS  
**PRELIMINARY**  
 UNQUALIFIED PRODUCT  
 CONTACT PRODUCT ENGINEERING  
 BEFORE USING THIS PRINT

THIS DRAWING IS A CONTROLLED DOCUMENT.		DWN ANDY.XIE 12JUN2015	TE Connectivity	
		CHK SEAN.HAN 12JUN2015		
		APVD SEAN.HAN 12JUN2015	NAME HARD WARE KIT FOR CFP4 1X1 PRESS FIT (CAGE, HS, HS CLIP, COVER, SCREW)	
DIMENSIONS: mm		PRODUCT SPEC -	SIZE A2	CAGE CODE -
TOLERANCES UNLESS OTHERWISE SPECIFIED: 0 PLC ± 1 PLC ±0.25 2 PLC ±0.13 3 PLC ±0.10 4 PLC ± ANGLES ± FINISH		APPLICATION SPEC -	DRAWING NO C-2288226	RESTRICTED TO -
MATERIAL -		WEIGHT -	SCALE 1:1	SHEET 6 OF 7
		CUSTOMER DRAWING		REV 8

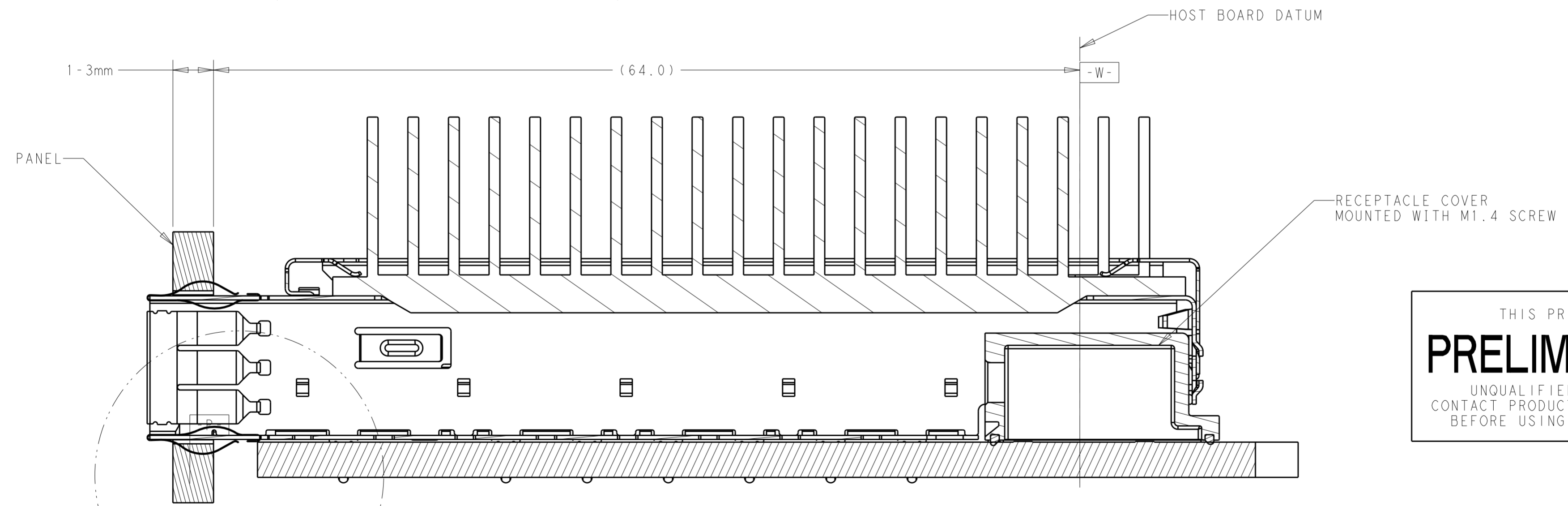
THIS DRAWING IS UNPUBLISHED. RELEASED FOR PUBLICATION 20  
 © COPYRIGHT 20 BY - ALL RIGHTS RESERVED.

REVISIONS				
P	LTR	DESCRIPTION	DATE	APVD
-		SEE SHEET 1	-	-



RECOMMENDED SINGLE SIDE APPLICATION

DETAIL B  
SCALE 10:1



THIS PRINT IS  
**PRELIMINARY**  
 UNQUALIFIED PRODUCT  
 CONTACT PRODUCT ENGINEERING  
 BEFORE USING THIS PRINT

SECTION B-B  
SCALE 4:1

THIS DRAWING IS A CONTROLLED DOCUMENT.		DWN ANDY.XIE 12JUN2015	TE Connectivity	
		CHK SEAN.HAN 12JUN2015		
		APVD SEAN.HAN 12JUN2015	NAME HARD WARE KIT FOR CFP4 1X1 PRESS FIT (CAGE, HS, HS CLIP, COVER, SCREW)	
DIMENSIONS: mm		PRODUCT SPEC	SIZE A2	CAGE CODE -
TOLERANCES UNLESS OTHERWISE SPECIFIED:		APPLICATION SPEC	DRAWING NO. C-2288226	RESTRICTED TO -
0 PLC ±		WEIGHT	SCALE 1:1 SHEET 7 OF 7 REV 8	
1 PLC ±0.25		CUSTOMER DRAWING		
2 PLC ±0.13				
3 PLC ±0.10				
4 PLC ±				
ANGLES ±				
FINISH ±				