



Chipsmall Limited consists of a professional team with an average of over 10 year of expertise in the distribution of electronic components. Based in Hongkong, we have already established firm and mutual-benefit business relationships with customers from,Europe,America and south Asia,supplying obsolete and hard-to-find components to meet their specific needs.

With the principle of “Quality Parts,Customers Priority,Honest Operation,and Considerate Service”,our business mainly focus on the distribution of electronic components. Line cards we deal with include Microchip,ALPS,ROHM,Xilinx,Pulse,ON,Everlight and Freescale. Main products comprise IC,Modules,Potentiometer,IC Socket,Relay,Connector.Our parts cover such applications as commercial,industrial, and automotives areas.

We are looking forward to setting up business relationship with you and hope to provide you with the best service and solution. Let us make a better world for our industry!



## Contact us

Tel: +86-755-8981 8866 Fax: +86-755-8427 6832

Email & Skype: info@chipsmall.com Web: www.chipsmall.com

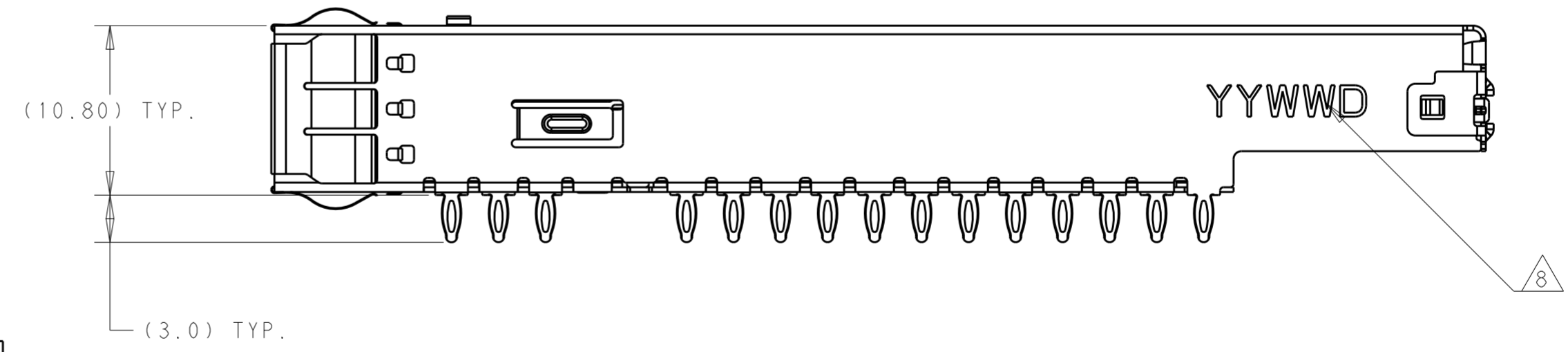
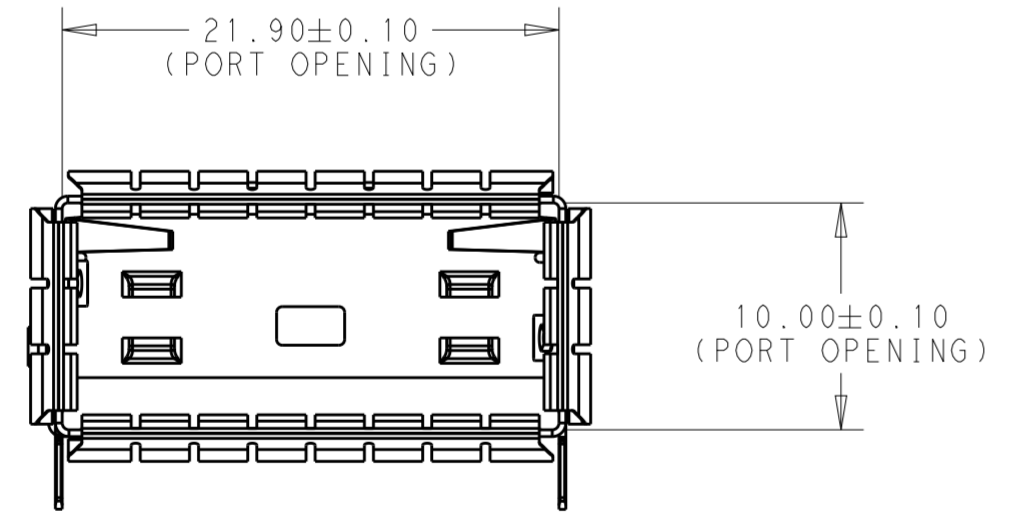
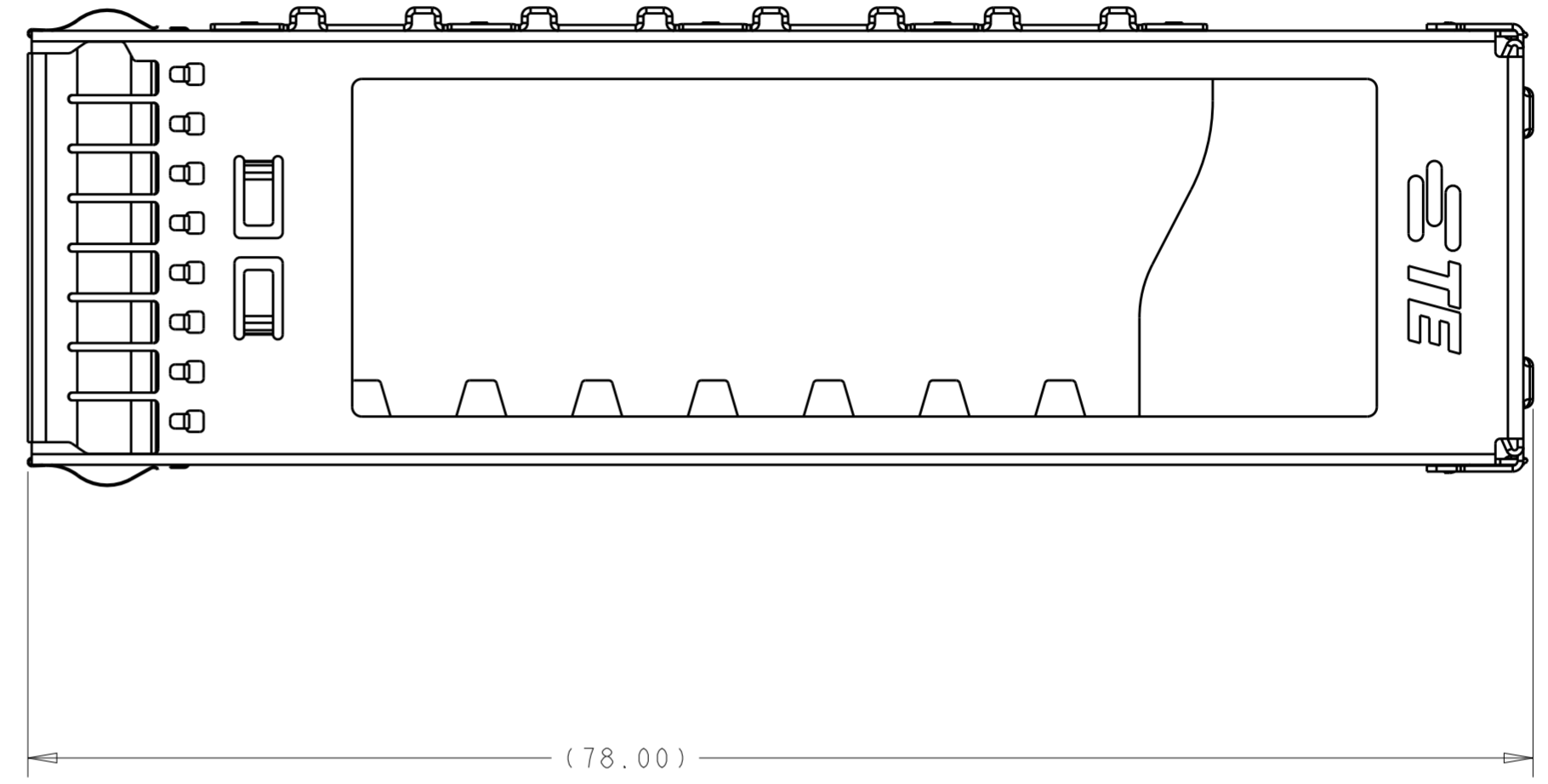
Address: A1208, Overseas Decoration Building, #122 Zhenhua RD., Futian, Shenzhen, China



THIS DRAWING IS UNPUBLISHED. RELEASED FOR PUBLICATION 20  
 © COPYRIGHT 20 BY - ALL RIGHTS RESERVED.

| REVISIONS |     |                     |           |       |
|-----------|-----|---------------------|-----------|-------|
| P         | LTR | DESCRIPTION         | DATE      | APVD  |
| 1         |     | PRELIMINARY DRAWING | 20MAY2016 | AD SH |
|           |     |                     |           |       |
|           |     |                     |           |       |

- 1. MATERIAL : CAGE : 0.3MM THICK NICKEL SILVER ALLOY;  
EMI SPRING: COPPER ALLOY;
- 2. FINISH: EMI SPRING -1.27um NICKEL PALTING OVER ALL;
- 3. MATES WITH CFP MSA COMPLIANT TRANSCEIVERS.
- 4. DATUM AND BASIC DIMENSION ESTABLISHED BY CUSTOMER.
- 5. MINIMUM PC BOARD THICKNESS: SIGLE SIDE APPLICATIONS=2.99±0.10mm.  
BELLY TO BELLY APPLICATION 3.0mm MIN.
- 6. PADS AND VIAS CHASSIS GROUND;
- 7. REFERENCE APPLICATION SPEC 114-XXXX, HOLE A, FOR  
RECOMMENDED DRILL HOLE DIAMETER AND PLATING THICKNESS.
- 8. DATE CODE MARKED APPROXIMATE AREA



**THIS PRINT IS  
PRELIMINARY  
UNQUALIFIED PRODUCT  
CONTACT PRODUCT ENGINEERING  
BEFORE USING THIS PRINT**

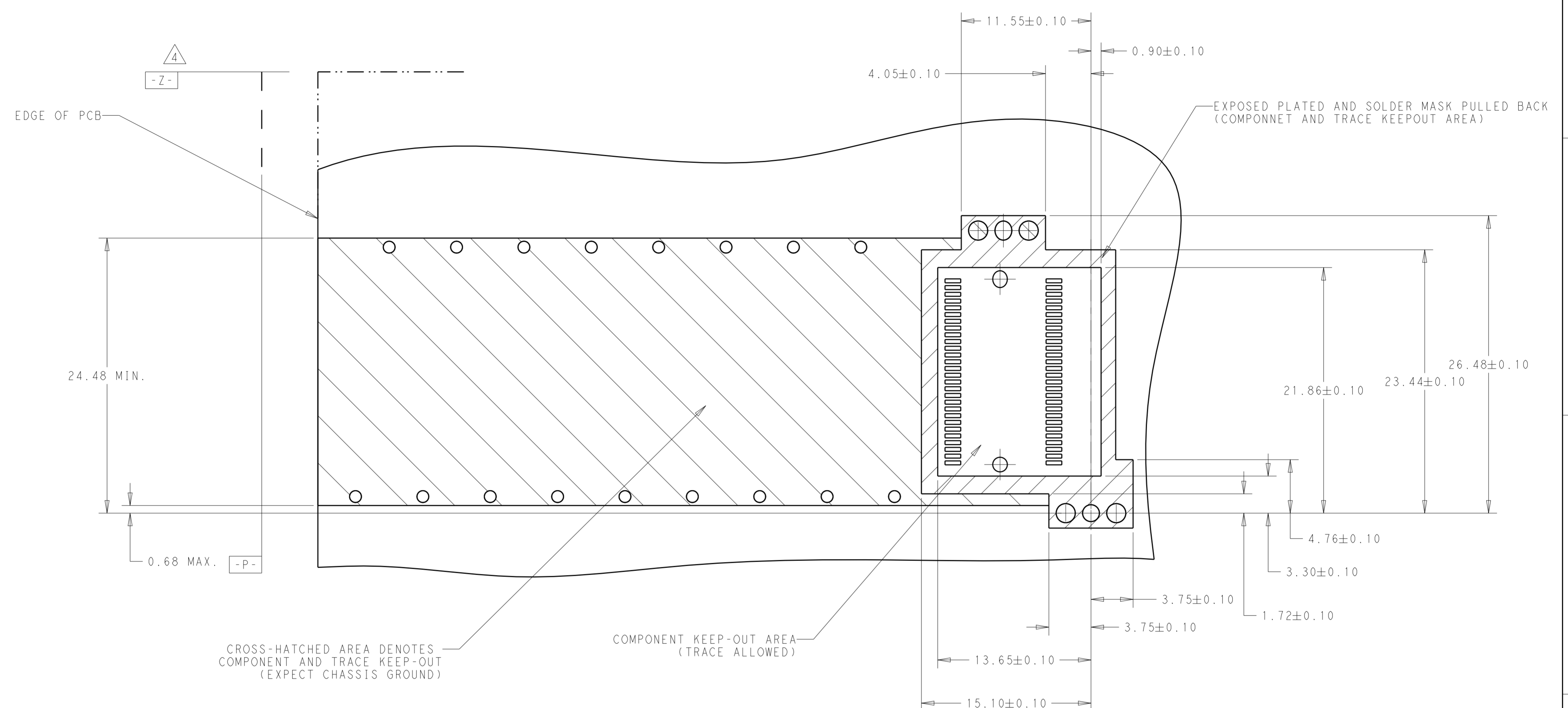
2288227-2  
PART NUMBER

|  |  |                               |  |           |
|--|--|-------------------------------|--|-----------|
| THIS DRAWING IS A CONTROLLED DOCUMENT. |  | DWN<br>ANDY.XIE<br>20MAY2016  | <b>STE</b> TE Connectivity                               |           |
| DIMENSIONS:<br>mm                      |  | CHK<br>SEAN.HAN<br>20MAY2016  |  |           |
| TOLERANCES UNLESS OTHERWISE SPECIFIED: |  | APVD<br>SEAN.HAN<br>20MAY2016 | NAME<br>CAGE ASSEMBLY, CFP4 1X1<br>PRESS FIT, EMI SPRING |           |
| 0 PLC ±                                |  | PRODUCT SPEC                  | SIZE   | CAGE CODE |
| 1 PLC ±0.25                            |  | APPLICATION SPEC              | A2   | -         |
| 2 PLC ±0.15                            |  | WEIGHT                        | SCALE  | SHEET     |
| 3 PLC ±0.1                             |  | CUSTOMER DRAWING              | 3:1  | 1 OF 4    |
| 4 PLC ±                                |  |                               |  | REV 1     |
| ANGLES ±                               |  |                               |  |           |
| FINISH                                 |  |                               |  |           |



THIS DRAWING IS UNPUBLISHED. RELEASED FOR PUBLICATION 20  
 © COPYRIGHT 20 BY - ALL RIGHTS RESERVED.

| REVISIONS |     |             |      |      |
|-----------|-----|-------------|------|------|
| P         | LTR | DESCRIPTION | DATE | APVD |
| -         |     | SEE SHEET 1 | -    | -    |
|           |     |             |      |      |
|           |     |             |      |      |



CROSS-HATCHED AREA DENOTES COMPONENT AND TRACE KEEP-OUT (EXPECT CHASSIS GROUND)

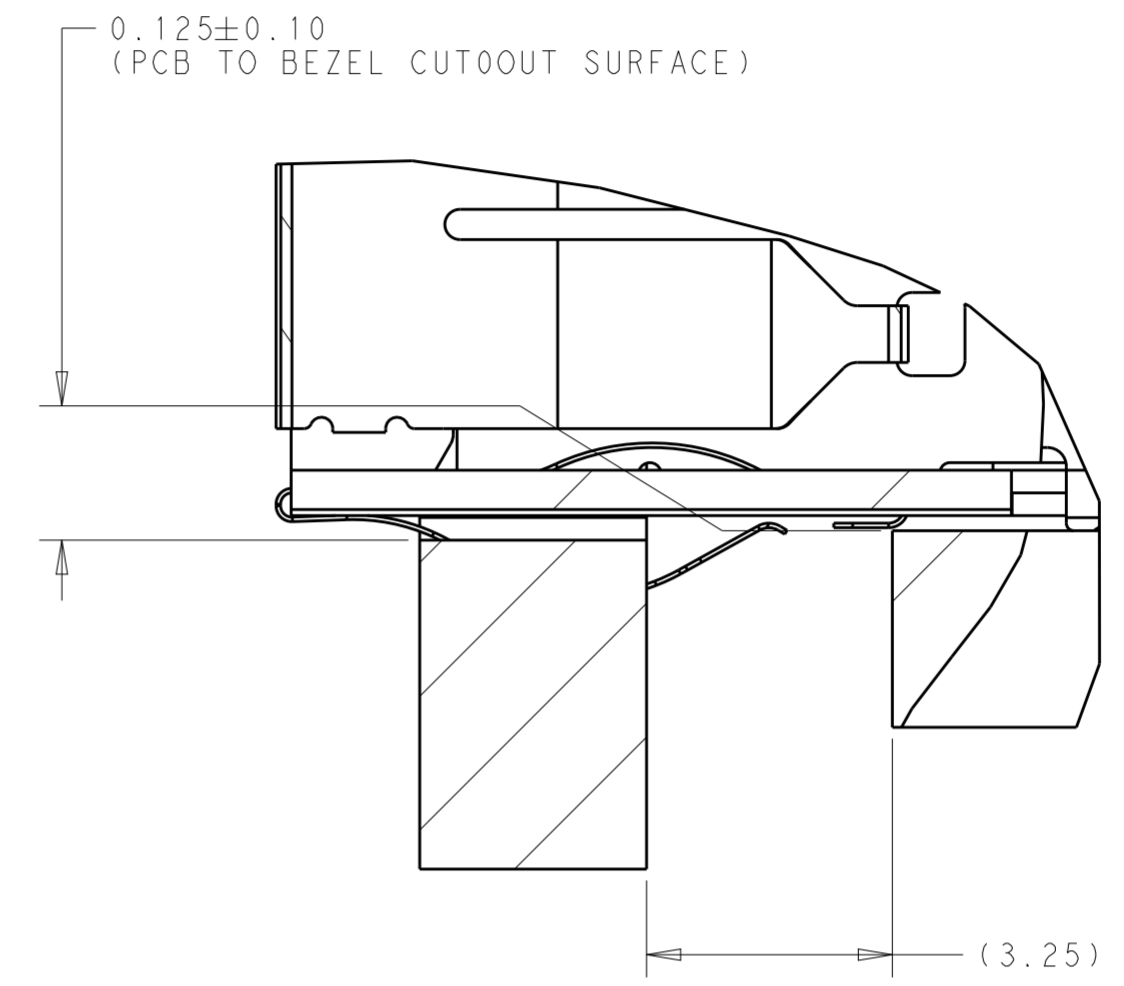
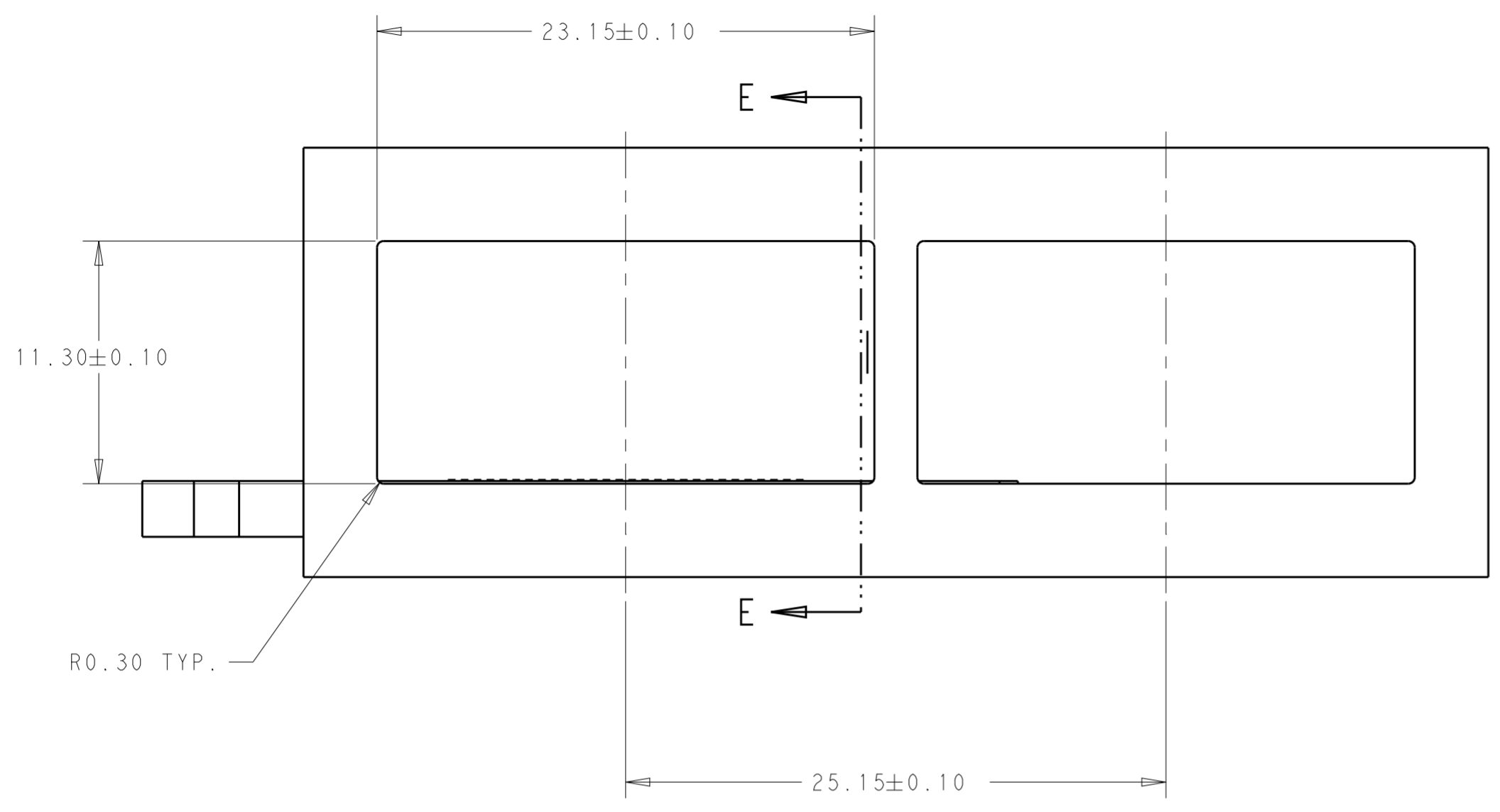
COMPONENT KEEP-OUT AREA (TRACE ALLOWED)

THIS PRINT IS  
**PRELIMINARY**  
 UNQUALIFIED PRODUCT  
 CONTACT PRODUCT ENGINEERING  
 BEFORE USING THIS PRINT

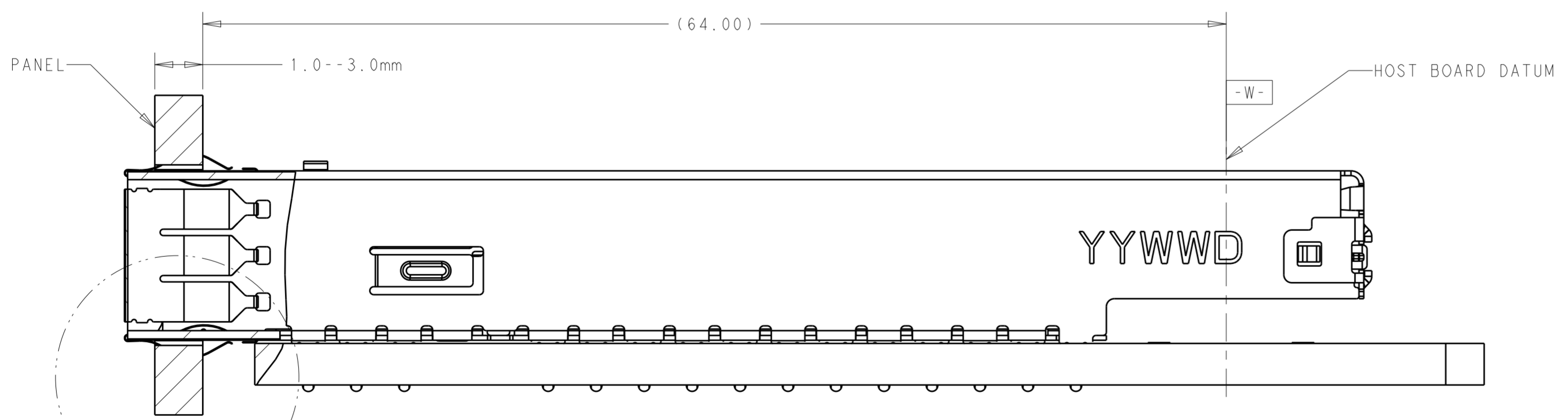
|  |             |                               |  |                    |
|--|-------------|-------------------------------|--|--------------------|
| THIS DRAWING IS A CONTROLLED DOCUMENT. |             | DWN<br>ANDY.XIE<br>20MAY2016  | TE Connectivity  |                    |
| DIMENSIONS:<br>mm                      |             | CHK<br>SEAN.HAN<br>20MAY2016  |  |                    |
| TOLERANCES UNLESS OTHERWISE SPECIFIED: |             | APVD<br>SEAN.HAN<br>20MAY2016 | NAME<br>CAGE ASSEMBLY,CFP4 1X1<br>PRESS FIT,EMI SPRING |                    |
| 0 PLC ±                                | 1 PLC ±0.25 | PRODUCT SPEC                  | SIZE<br>A2   | CAGE CODE<br>-     |
| 2 PLC ±0.15                            | 3 PLC ±0.10 | APPLICATION SPEC              | DRAWING NO<br>C-2288227                                | RESTRICTED TO<br>- |
| 4 PLC ±                                | ANGLES ±    | WEIGHT                        | SCALE<br>4:1   | SHEET<br>3 OF 4    |
| MATERIAL                               | FINISH      | CUSTOMER DRAWING              | REV<br>1   |                    |

THIS DRAWING IS UNPUBLISHED. RELEASED FOR PUBLICATION 20  
 © COPYRIGHT 20 BY - ALL RIGHTS RESERVED.

| REVISIONS |     |             |      |      |
|-----------|-----|-------------|------|------|
| P         | LTR | DESCRIPTION | DATE | APVD |
| -         | -   | SEE SHEET 1 | -    | -    |
|           |     |             |      |      |
|           |     |             |      |      |



DETAIL B  
SCALE 10:1



THIS PRINT IS  
**PRELIMINARY**  
 UNQUALIFIED PRODUCT  
 CONTACT PRODUCT ENGINEERING  
 BEFORE USING THIS PRINT

SEE DETAIL B

SECTION E-E  
SCALE 4:1

|  |       |                               |  |               |
|--|-------|-------------------------------|--|---------------|
| THIS DRAWING IS A CONTROLLED DOCUMENT. |       | DWN<br>ANDY.XIE<br>20MAY2016  | TE Connectivity  |               |
| DIMENSIONS: mm                         |       | CHK<br>SEAN.HAN<br>20MAY2016  |  |               |
| TOLERANCES UNLESS OTHERWISE SPECIFIED: |       | APVD<br>SEAN.HAN<br>20MAY2016 | NAME<br>CAGE ASSEMBLY,CFP4 1X1<br>PRESS FIT,EMI SPRING |               |
| 0 PLC                                  | ±     | PRODUCT SPEC                  | SIZE   | RESTRICTED TO |
| 1 PLC                                  | ±0.25 | APPLICATION SPEC              | A2   | -             |
| 2 PLC                                  | ±0.15 | WEIGHT                        | CAGE CODE  | DRAWING NO    |
| 3 PLC                                  | ±0.10 | CUSTOMER DRAWING              | -  | C-2288227     |
| 4 PLC                                  | ±     | SCALE                         | 4:1  | SHEET 4 OF 4  |
| ANGLES                                 | ±     | REV                           | 1  |               |
| FINISH                                 | -     |                               |  |               |