



Chipsmall Limited consists of a professional team with an average of over 10 year of expertise in the distribution of electronic components. Based in Hongkong, we have already established firm and mutual-benefit business relationships with customers from,Europe,America and south Asia,supplying obsolete and hard-to-find components to meet their specific needs.

With the principle of "Quality Parts,Customers Priority,Honest Operation,and Considerate Service",our business mainly focus on the distribution of electronic components. Line cards we deal with include Microchip,ALPS,ROHM,Xilinx,Pulse,ON,Everlight and Freescale. Main products comprise IC,Modules,Potentiometer,IC Socket,Relay,Connector.Our parts cover such applications as commercial,industrial, and automotives areas.

We are looking forward to setting up business relationship with you and hope to provide you with the best service and solution. Let us make a better world for our industry!



Contact us

Tel: +86-755-8981 8866 Fax: +86-755-8427 6832

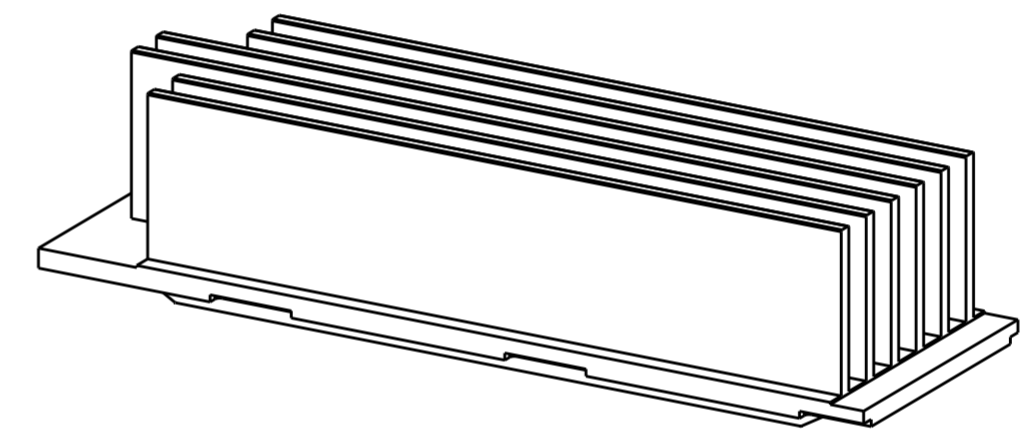
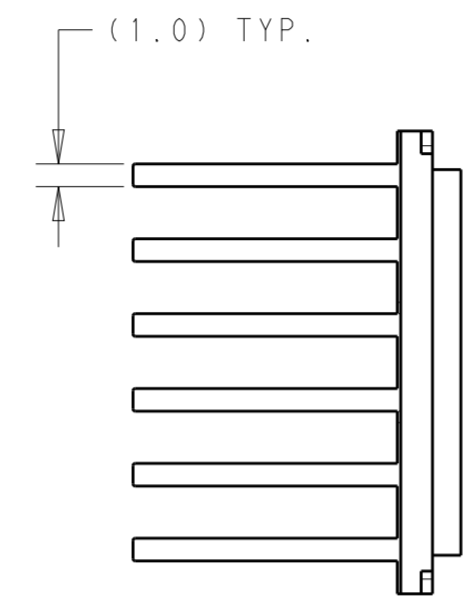
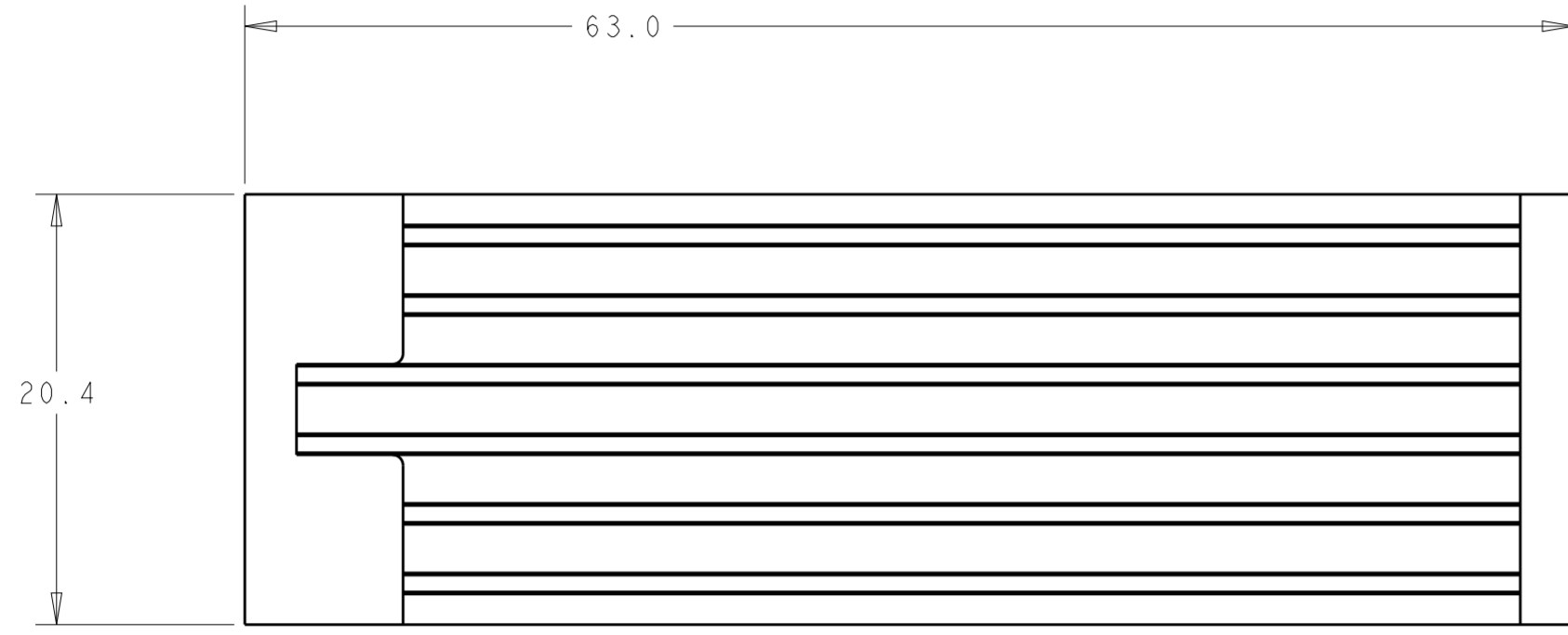
Email & Skype: info@chipsmall.com Web: www.chipsmall.com

Address: A1208, Overseas Decoration Building, #122 Zhenhua RD., Futian, Shenzhen, China

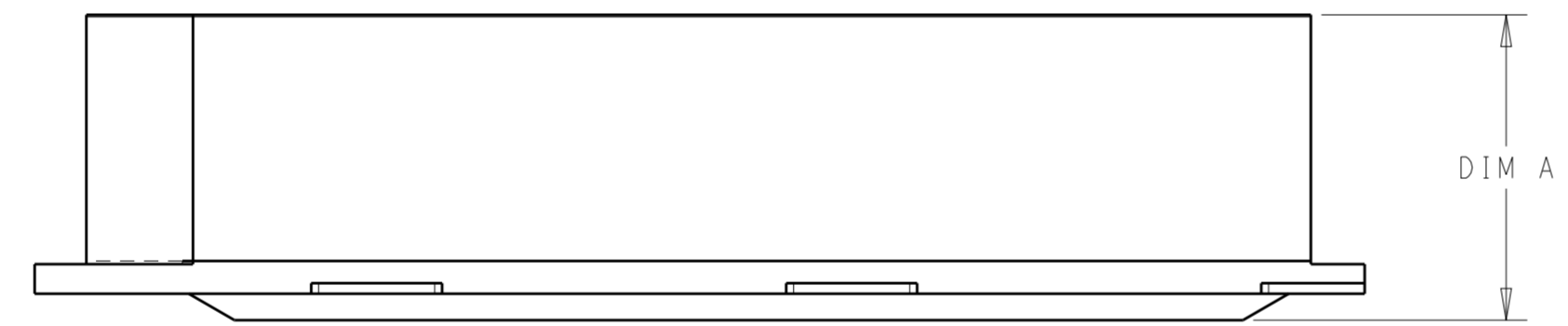


THIS DRAWING IS UNPUBLISHED. RELEASED FOR PUBLICATION 20
 © COPYRIGHT 20 BY - ALL RIGHTS RESERVED.

| REVISIONS | | | | |
|-----------|-----|-----------------|-----------|-------|
| P | LTR | DESCRIPTION | DATE | APVD |
| 1 | | INITIAL RELEASE | 11OCT2016 | AD SH |
| | | | | |
| | | | | |



2288231-3 AS SHOWN
SCALE 2:1



THIS PRINT IS
PRELIMINARY
 UNQUALIFIED PRODUCT
 CONTACT PRODUCT ENGINEERING
 BEFORE USING THIS PRINT

- 1 MATERIAL: ALUMINUM ALLOY;
- 2 FINISH: ELECTROLESS NICKEL;
- 3 FINISH: ANODIZED BLACK;
- 4.0.2mm MAX BURR PERMISSIBLE
- 5.VARIATION IN PLATING COLOR IS NORMAL AND ALLOWED

| | | |
|--------|--------|-------------|
| 16.25 | 3 | 2288231-6 |
| 14.45 | 3 | 2288231-3 |
| DIM. A | FINISH | PART NUMBER |

| | | | | |
|--|--|-------------------------------|--|--|
| THIS DRAWING IS A CONTROLLED DOCUMENT. | | DWN ANDY XIE 11OCT2016 | STE TE Connectivity | |
| DIMENSIONS: mm | | CHK SEAN HAN 11OCT2016 | | |
| TOLERANCES UNLESS OTHERWISE SPECIFIED: | | APVD SEAN HAN 11OCT2016 | NAME HEAT SINK, FRONT TO REAR AIRFLOW CFP4 | |
| 0 PLC ± | | PRODUCT SPEC | SIZE A2 | |
| 1 PLC ±0.3 | | APPLICATION SPEC | CAGE CODE - | |
| 2 PLC ±0.25 | | WEIGHT | DRAWING NO G-2288231 | |
| 3 PLC ±0.15 | | CUSTOMER DRAWING | RESTRICTED TO - | |
| 4 PLC ± | | SCALE 1:1 | SHEET 1 OF 1 | |
| ANGLES ± | | | REV 1 | |
| FINISH | | | | |