



Chipsmall Limited consists of a professional team with an average of over 10 year of expertise in the distribution of electronic components. Based in Hongkong, we have already established firm and mutual-benefit business relationships with customers from,Europe,America and south Asia,supplying obsolete and hard-to-find components to meet their specific needs.

With the principle of “Quality Parts,Customers Priority,Honest Operation,and Considerate Service”,our business mainly focus on the distribution of electronic components. Line cards we deal with include Microchip,ALPS,ROHM,Xilinx,Pulse,ON,Everlight and Freescale. Main products comprise IC,Modules,Potentiometer,IC Socket,Relay,Connector.Our parts cover such applications as commercial,industrial, and automotives areas.

We are looking forward to setting up business relationship with you and hope to provide you with the best service and solution. Let us make a better world for our industry!



Contact us

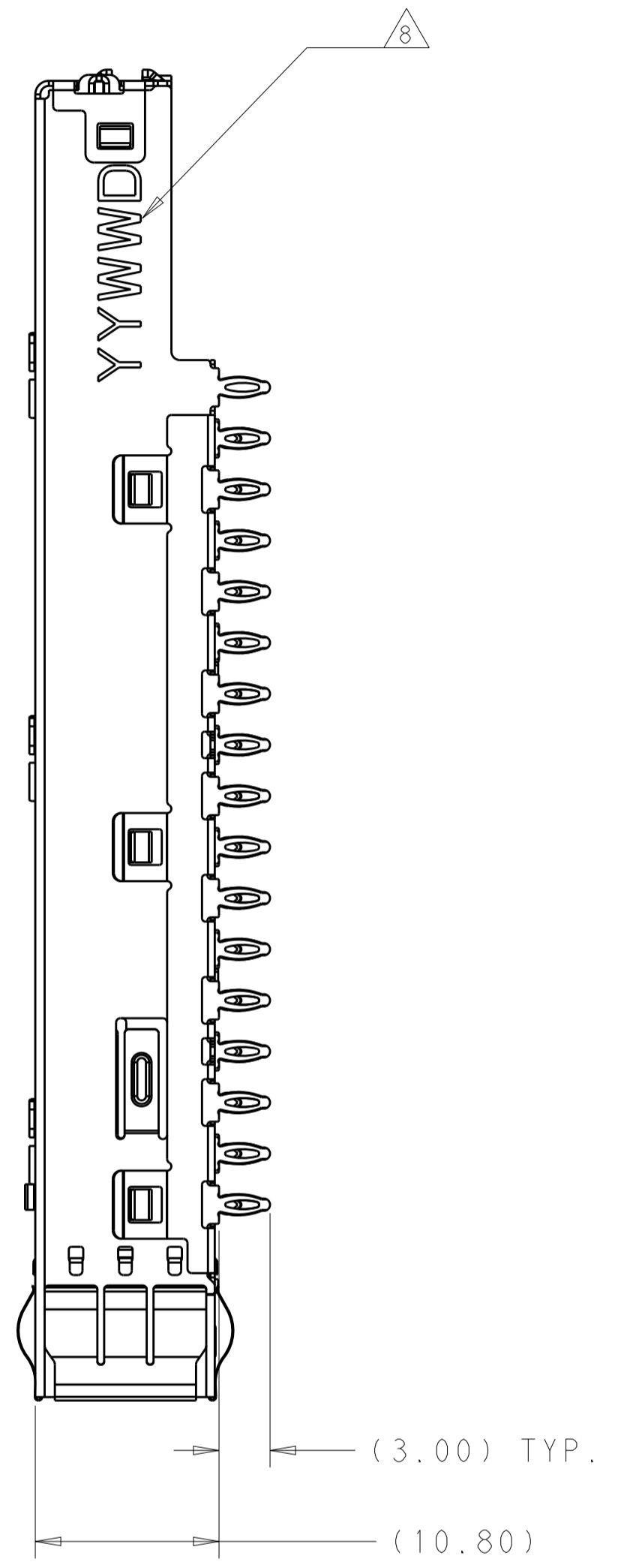
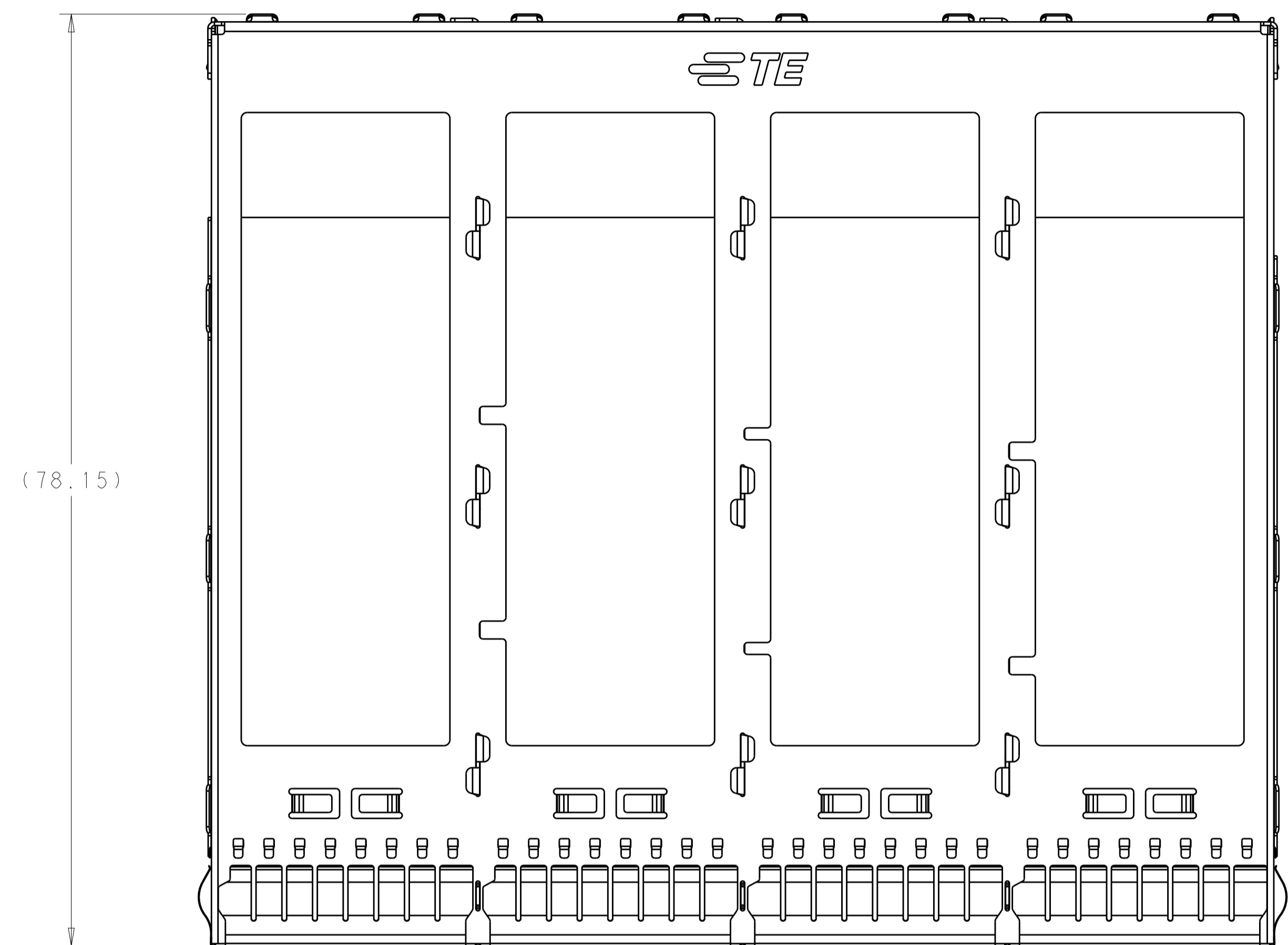
Tel: +86-755-8981 8866 Fax: +86-755-8427 6832

Email & Skype: info@chipsmall.com Web: www.chipsmall.com

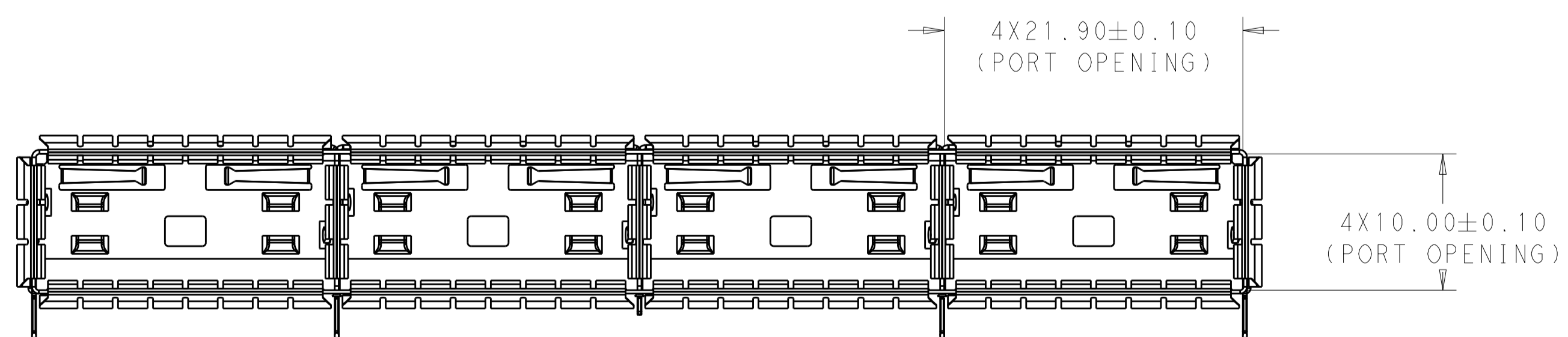
Address: A1208, Overseas Decoration Building, #122 Zhenhua RD., Futian, Shenzhen, China



LOC	DIST	REVISIONS			
P	LTN	DESCRIPTION	DATE	DWN	APVD
GP	00	1	PROPOSED	18DEC2014	CW SH
		3	UPDATE PCB HOLES AND BOTTOM EMI SPRING	24MAR2015	JW SH
		4	REVISE DRAWING	25MAY2015	AD SH



- △ CAGE- 0.3MM THICK NICKEL SILVER ALLOY;
EMI SPRING- COPPER ALLOY;
- △ FINISH:
EMI SPRING- 1.27um NICKEL PALTING OVER ALL;
- 3 MATES WITH CFP MSA COMPLIANT TRANSCEIVERS.
- △ DATUM AND BASIC DIMENSION ESTABLISHED BY CUSTOMER.
- 5 MINIMUM PC BOARD THICKNESS: SIGLE SIDE APPLICATIONS=3.0±0.10mm.
BELLY TO BELLY APPLICATIONS=3.0mm MIN.
- △ PADS AND VIAS CHASSIS GROUND;
- △ REFERENCE APPLICATION SPEC 114-XXXX, HOLE A, FOR
RECOMMENDED DRILL HOLE DIAMETER AND PLATING THICKNESS.
- △ DATE CODE MAKED IN APPROXIMATE AREA

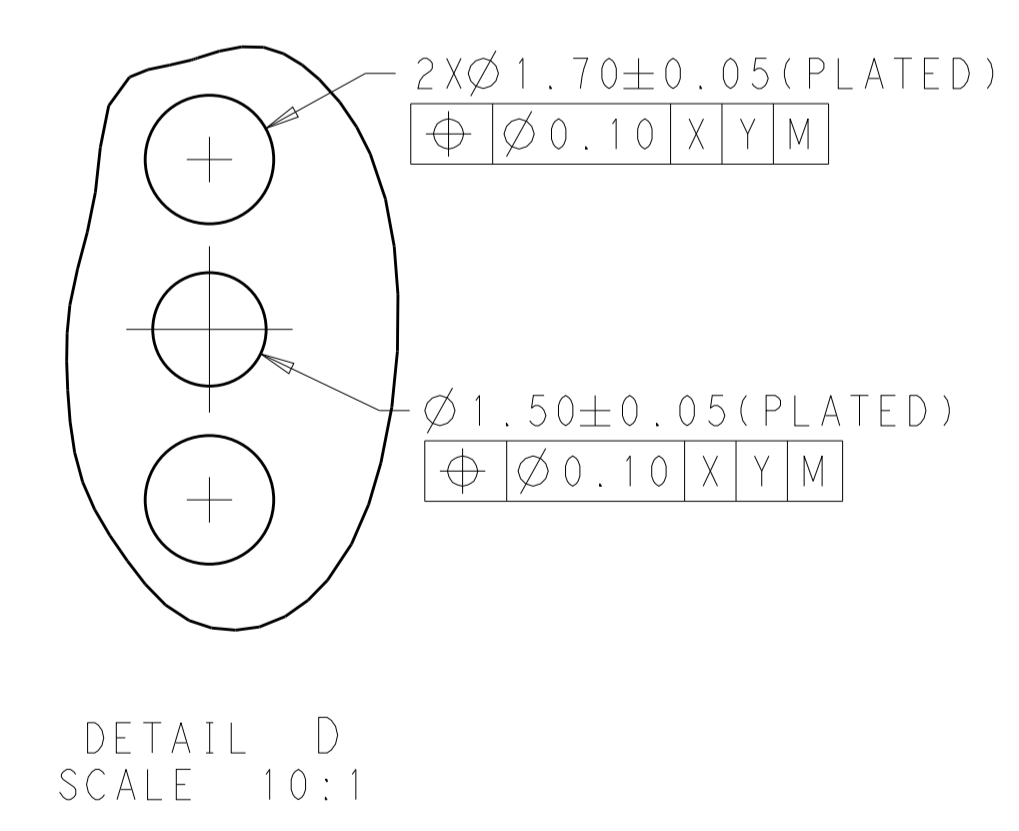
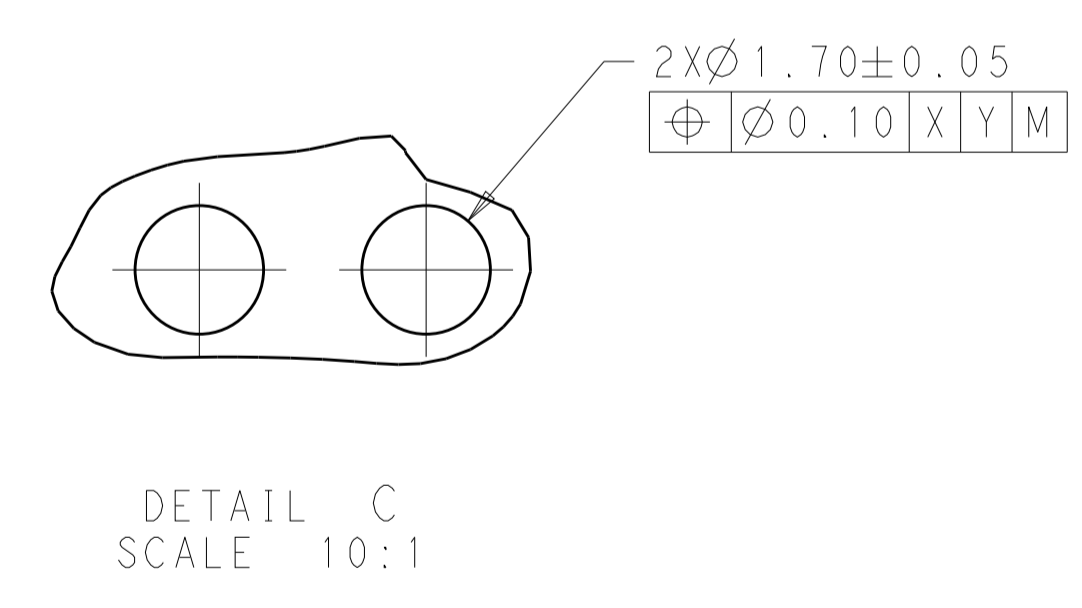
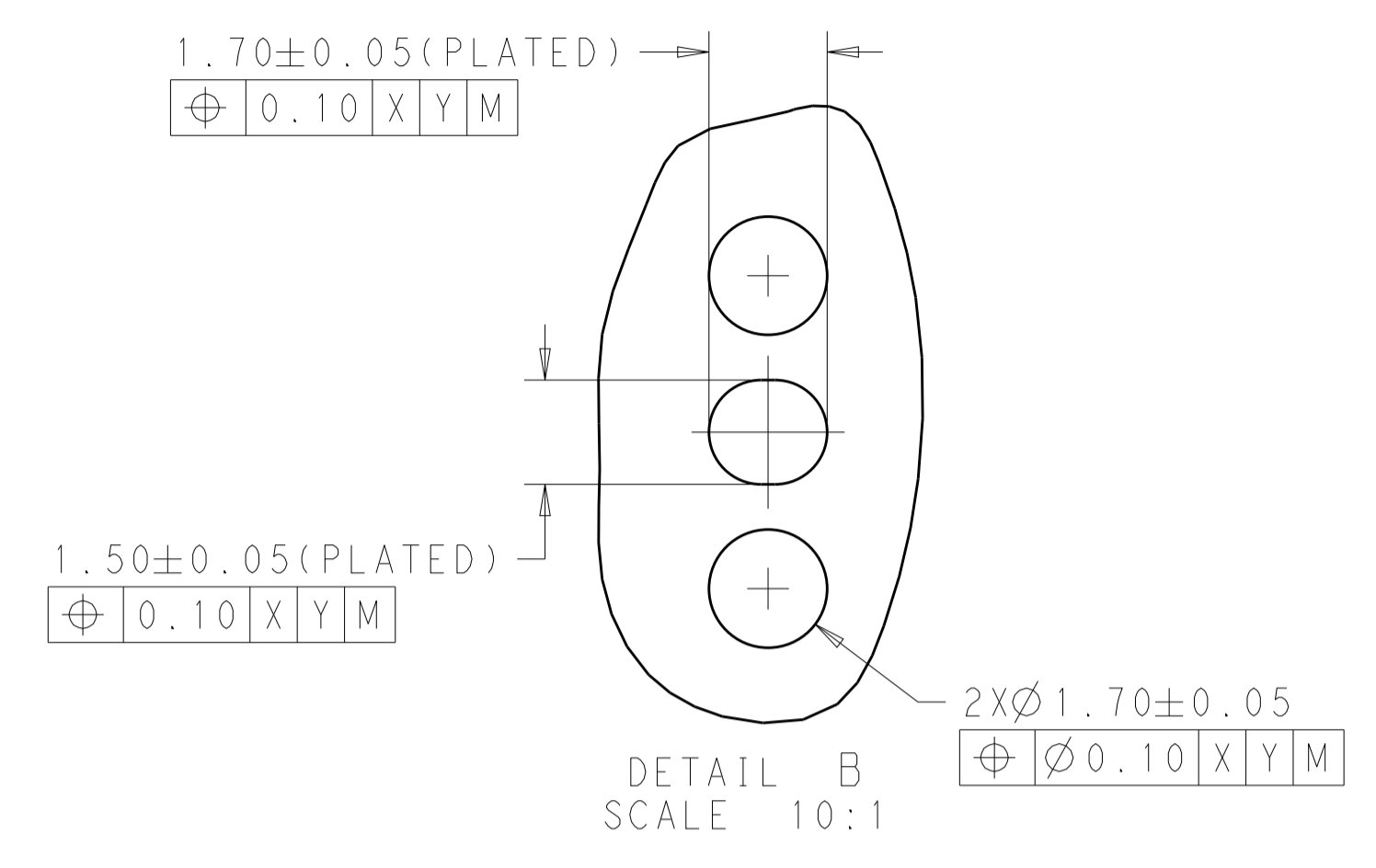
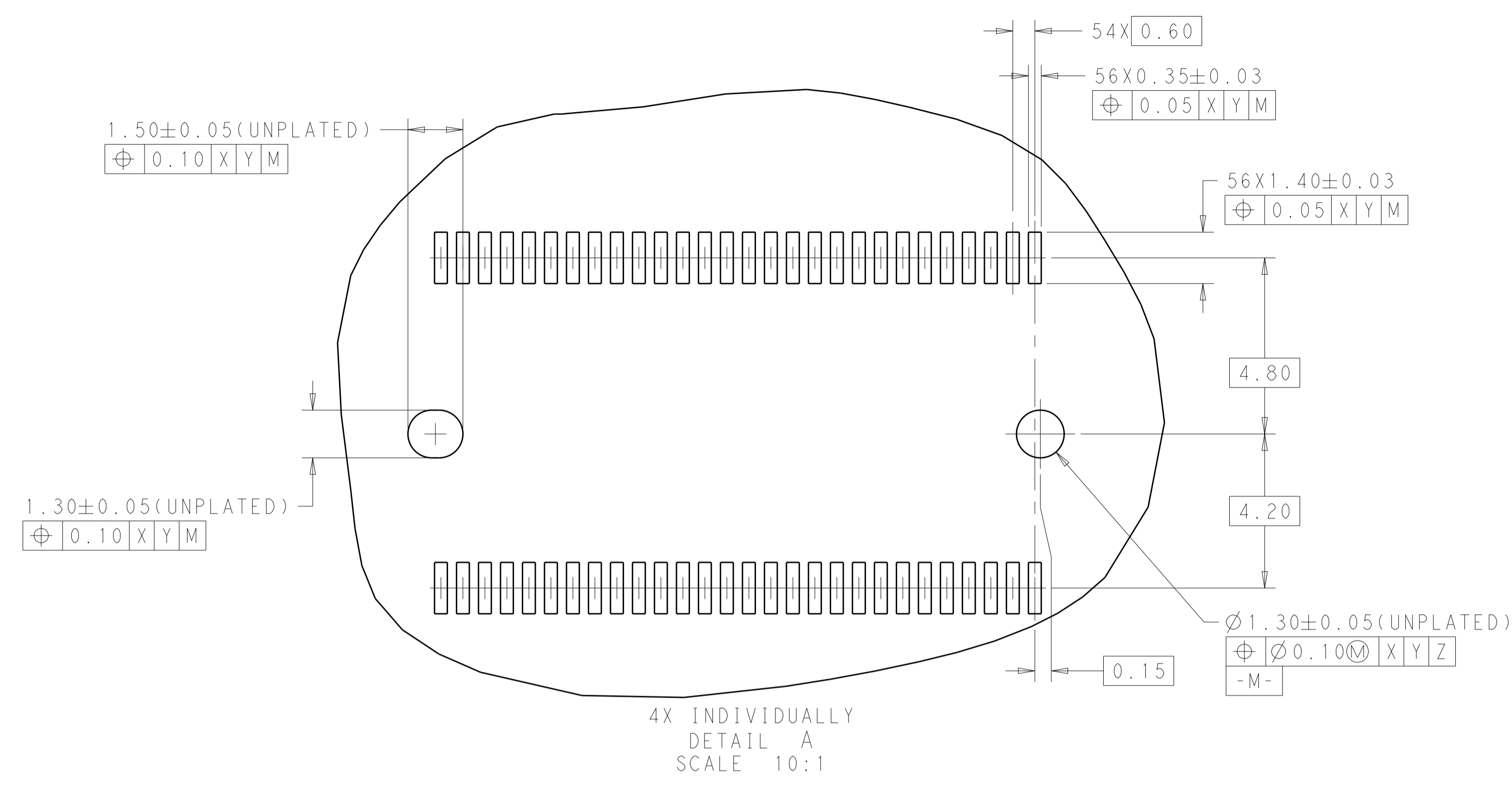


THIS PRINT IS
PRELIMINARY
UNQUALIFIED PRODUCT
CONTACT PRODUCT ENGINEERING
BEFORE USING THIS PRINT

2289496-2
PART NUMBER

THIS DRAWING IS A CONTROLLED DOCUMENT.		DWN: CHARLES WAN 17DEC2014	STE TE Connectivity
DIMENSIONS: mm		CHK: SEAN HAN 17DEC2014	
TOLERANCES UNLESS OTHERWISE SPECIFIED:		APVD: -	NAME: CFP4 1x4 HARDWARE ASSEMBLY
0 PLC ±	1 PLC ±0.25	PRODUCT SPEC	
2 PLC ±0.15	3 PLC ±0.10	APPLICATION SPEC	
4 PLC ±	ANGLES ±	WEIGHT	
MATERIAL	FINISH	Customer Drawing	RESTRICTED TO
		SIZE: A100779 C=2289496	SCALE: 4:1 SHEET 1 OF 5 REV 4

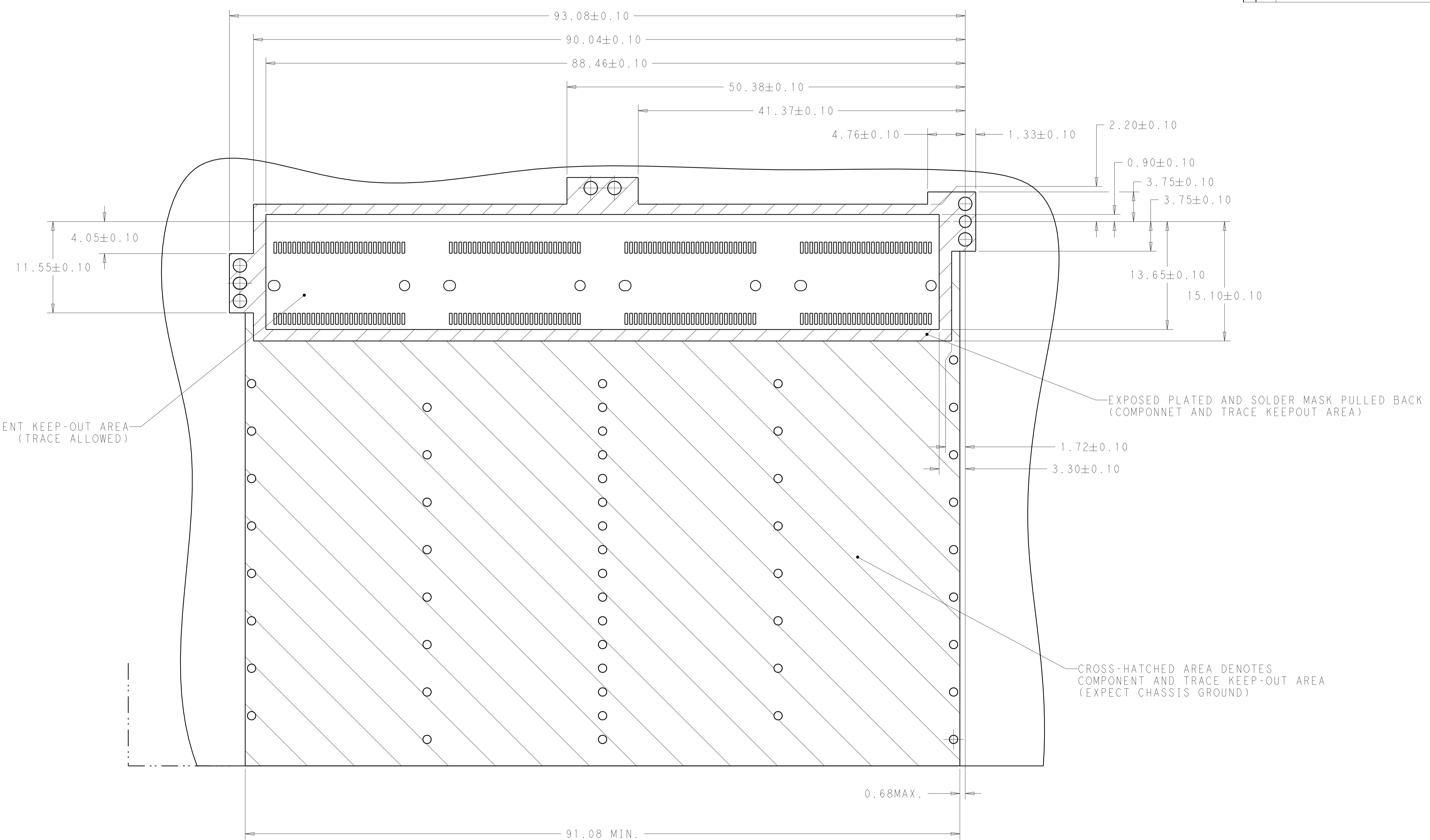
LOC		DIST		REVISIONS			
GP	00	P	LTN	DESCRIPTION	DATE	DMN	APVD
		-		SEE SHEET 1	-	-	-



DESIGN APPROVED THIS PRINT IS
PRELIMINARY
 TO FIRST PIECE APPROVAL
 CONTACT PRODUCT ENGINEERING
 BEFORE USING THIS PRINT

THIS DRAWING IS A CONTROLLED DOCUMENT.		DMN: CHARLES WAN 17DEC2014	TE Connectivity
DIMENSIONS: mm		CHK: SEAN HAN 17DEC2014	
TOLERANCES UNLESS OTHERWISE SPECIFIED: 0 PLC ±.25 1 PLC ±0.15 2 PLC ±0.10 3 PLC ±.10 4 PLC ±.10 ANGLES ±.1°		APVD: -	NAME: CFP4 1x4 HARDWARE ASSEMBLY
MATERIAL: -		FINISH: -	RESTRICTED TO: -
Customer Drawing		SCALE: 1:1	SHEET 3 OF 5 REV 4

LOC		DIST		REVISIONS			
GP	00	P	LTN	DESCRIPTION	DATE	DWN	APVD
-	-	-	-	SEE SHEET 1	-	-	-

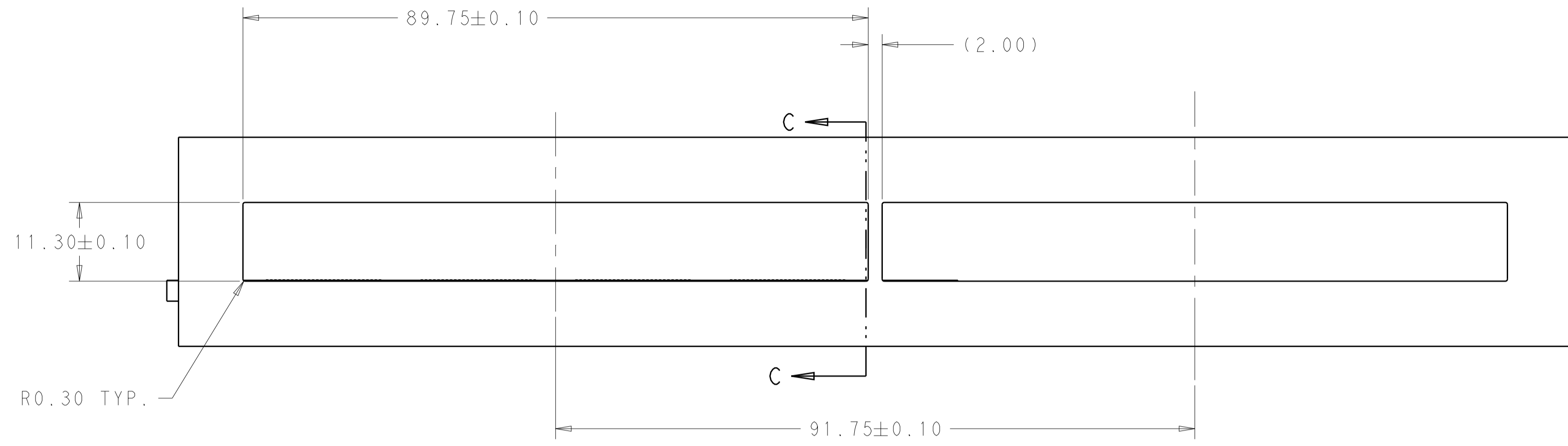


SCALE 4:1

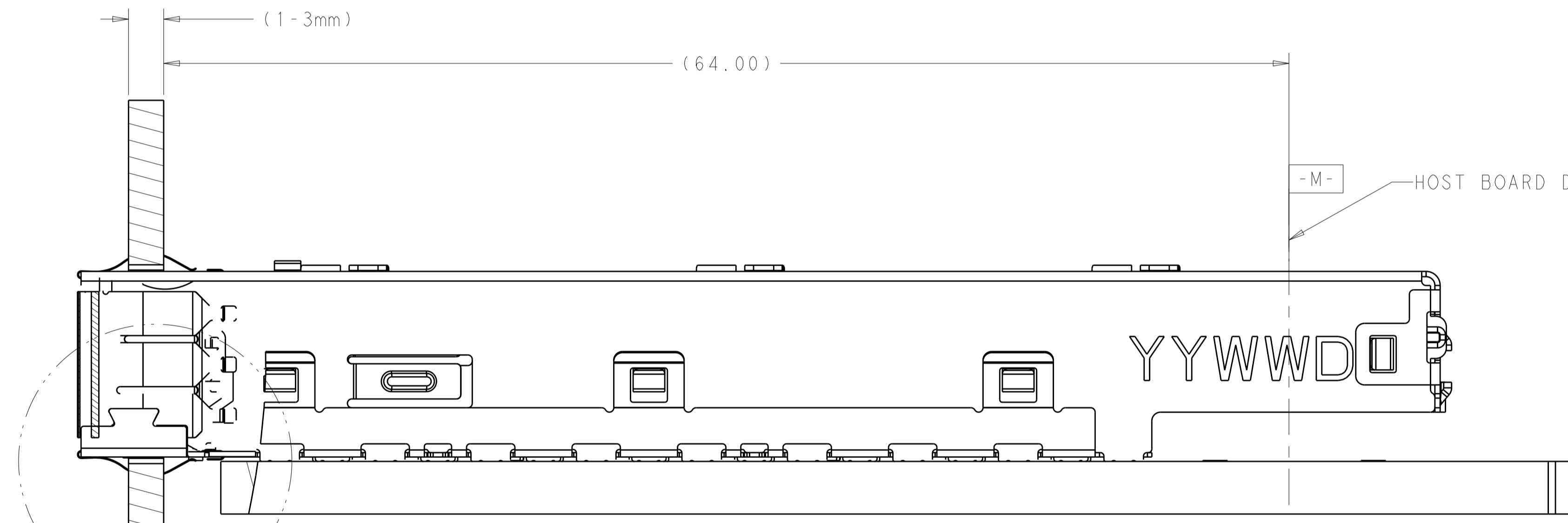
DESIGN APPROVED THIS PRINT IS
PRELIMINARY
 TO FIRST PIECE APPROVAL
 CONTACT PRODUCT ENGINEERING
 BEFORE USING THIS PRINT

THIS DRAWING IS A CONTROLLED DOCUMENT.		DWN	CHARLES WAN	17DEC2014	TE Connectivity	
DIMENSIONS:		CHK	SEAN HAN	17DEC2014		
mm	0 PLC ±0.25	APVD			NAME	CFP4 1x4 HARDWARE ASSEMBLY
	1 PLC ±0.15	PRODUCT SPEC			SIZE	A100779C=2289496
	2 PLC ±0.10	APPLICATION SPEC			RESTRICTED TO	
MATERIAL	3 PLC ±0.10	WEIGHT			SCALE	1:1
FINISH	4 PLC ±0.10	Customer Drawing			SHEET	4 OF 5
ANGLES	±°				REV	4

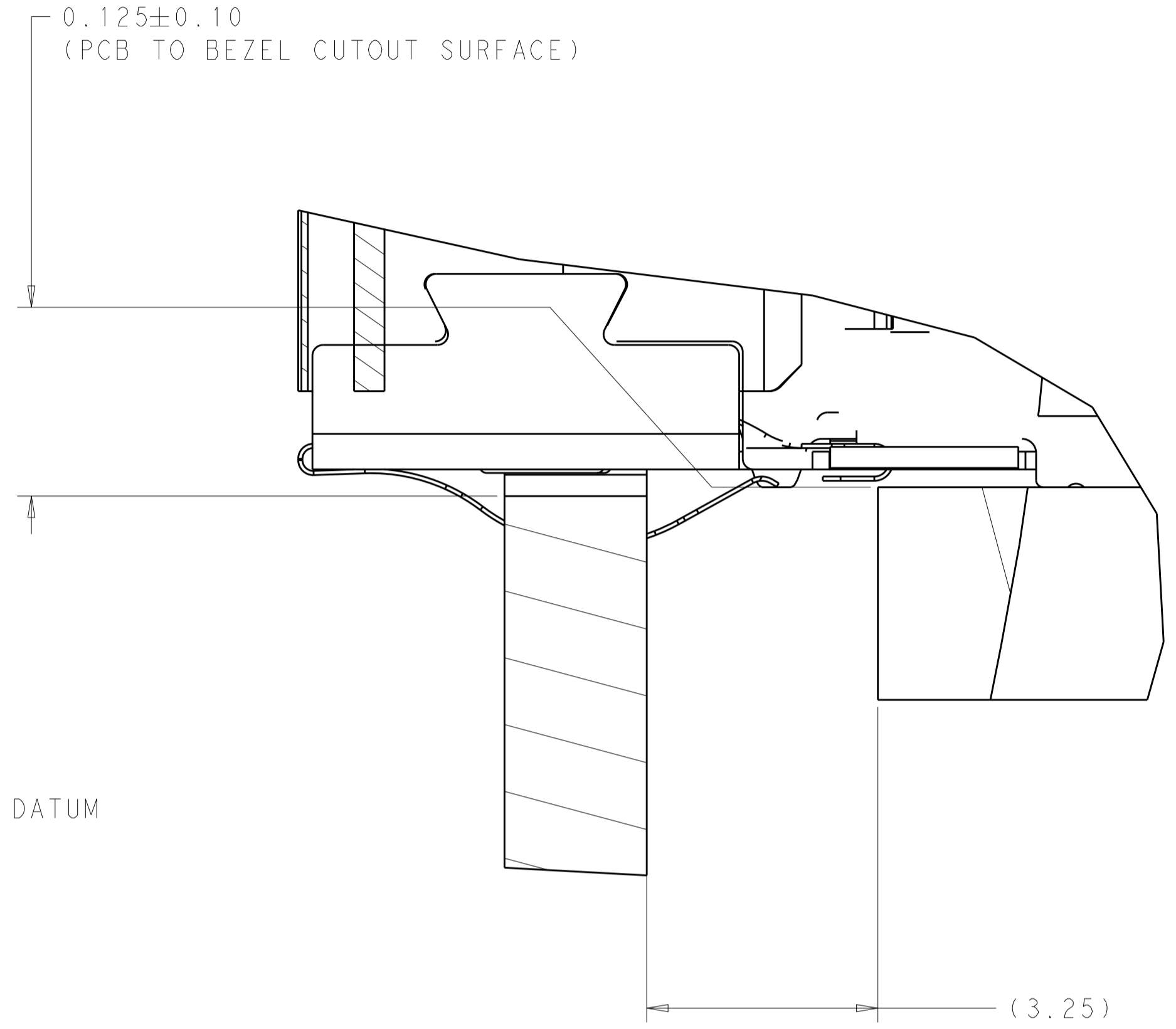
LOC		DIST		REVISIONS			
P	LTN	DESCRIPTION	DATE	DMN	APVD		
-	-	SEE SHEET 1	-	-	-		



SCALE 2:1



SECTION C-C
SCALE 5:1



DETAIL E
SCALE 15:1

SEE DETAIL E

DESIGN APPROVED THIS PRINT IS
PRELIMINARY
 TO FIRST PIECE APPROVAL
 CONTACT PRODUCT ENGINEERING
 BEFORE USING THIS PRINT

THIS DRAWING IS A CONTROLLED DOCUMENT.		OWN: CHARLES WAN 17DEC2014	TE Connectivity
		CHK: SEAN HAN 17DEC2014	
DIMENSIONS:		APVD: -	NAME: CFP4 1x4 HARDWARE ASSEMBLY
mm	0 PLC ±	PRODUCT SPEC	
	1 PLC ±0.25	APPLICATION SPEC	
	2 PLC ±0.15		
	3 PLC ±0.10		
	4 PLC ±		
	ANGLES ±		
MATERIAL	FINISH	WEIGHT	SIZE: A100779 C=2289496
		Customer Drawing	RESTRICTED TO
		SCALE: 1:1	SHEET 5 OF 5 REV 4