



Chipsmall Limited consists of a professional team with an average of over 10 year of expertise in the distribution of electronic components. Based in Hongkong, we have already established firm and mutual-benefit business relationships with customers from,Europe,America and south Asia,supplying obsolete and hard-to-find components to meet their specific needs.

With the principle of “Quality Parts,Customers Priority,Honest Operation,and Considerate Service”,our business mainly focus on the distribution of electronic components. Line cards we deal with include Microchip,ALPS,ROHM,Xilinx,Pulse,ON,Everlight and Freescale. Main products comprise IC,Modules,Potentiometer,IC Socket,Relay,Connector.Our parts cover such applications as commercial,industrial, and automotives areas.

We are looking forward to setting up business relationship with you and hope to provide you with the best service and solution. Let us make a better world for our industry!



## Contact us

Tel: +86-755-8981 8866 Fax: +86-755-8427 6832

Email & Skype: info@chipsmall.com Web: www.chipsmall.com

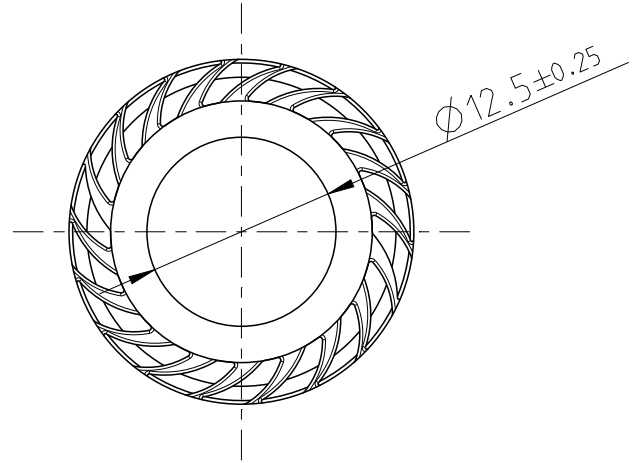
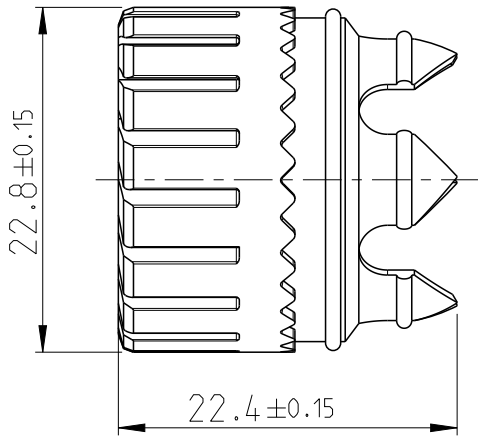
Address: A1208, Overseas Decoration Building, #122 Zhenhua RD., Futian, Shenzhen, China



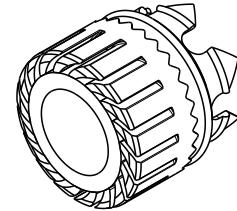
PROJEKT NR.  
PRJ-13-000004433

MATED WITH:  
PASSEND ZU:

REVISIONS ÄNDERUNGEN		DATE	DWN	APVD
P	LTR	DESCRIPTION BESCHREIBUNG		
	A1	NEW DRAWING	19NOV2015	ER DO
	A2	REV. PER ECR-16-000458	12JAN2016	ER DO



SCALE 1:1



1 MATERIAL CLAMPING PIECE: PA66, BLACK

2 CABLE SEAL: Ø7.5-Ø12.0mm

1 WERKSTOFF KLEMMSTUECK: PA66, SCHWARZ

2 KABELDICHUNG: Ø7.5-Ø12.0mm


-1 AS SHOWN  
-1 WIE GEZEICHNET

2015

RELEASED FOR PUBLICATION  
FREI FUER VEROFFENTLICHTUNG

THIS DRAWING IS UNCLASSIFIED.  
VERTRAULICHE UNVEROFFENTLICHTE ZEICHNUNG

ALL RIGHTS RESERVED.  
ALLE RECHTE VORBEHALTEN.  
© COPYRIGHT 2015 BY TE Connectivity Germany GmbH

DIMENSIONS: MASSEINHEITEN: mm		DWN E.REISS	19NOV2015	MATERIAL	1	FINISH OBERFLAECHE/FARBE	-
TOLERANCES UNLESS OTHERWISE SPECIFIED: ALLGEMEINTOLERANZEN		CHK D.ONDREJ	19NOV2015	 TE Connectivity			
0 PLC ± 1 PLC ± 2 PLC ± 3 PLC ± 4 PLC ± ANGLES/W INKEL ±°		APVD D.ONDREJ	19NOV2015				
		PRODUCT SPEC PRODUKTSPEZ.	108-94485	NAME		CHC-CABLE SEAL	
		APPLICATION SPEC VERARBEITUNGSSPEZ.	114-94369	SIZE	CAGE CODE	DRAWING NO ZEICHNUNGS-NR.	RESTRICTED TO NUR FUER
		WEIGHT GEWICHT	3.8 g	A 4	00779	C=2290260	-
Customer Drawing		/KUNDENZEICHNUNG		SCALE MASSSTAB	2:1	SHEET BLATT	1 OF VON 1
						REV	A2