



Chipsmall Limited consists of a professional team with an average of over 10 year of expertise in the distribution of electronic components. Based in Hongkong, we have already established firm and mutual-benefit business relationships with customers from,Europe,America and south Asia,supplying obsolete and hard-to-find components to meet their specific needs.

With the principle of “Quality Parts,Customers Priority,Honest Operation,and Considerate Service”,our business mainly focus on the distribution of electronic components. Line cards we deal with include Microchip,ALPS,ROHM,Xilinx,Pulse,ON,Everlight and Freescale. Main products comprise IC,Modules,Potentiometer,IC Socket,Relay,Connector.Our parts cover such applications as commercial,industrial, and automotives areas.

We are looking forward to setting up business relationship with you and hope to provide you with the best service and solution. Let us make a better world for our industry!



## Contact us

Tel: +86-755-8981 8866 Fax: +86-755-8427 6832

Email & Skype: info@chipsmall.com Web: www.chipsmall.com

Address: A1208, Overseas Decoration Building, #122 Zhenhua RD., Futian, Shenzhen, China

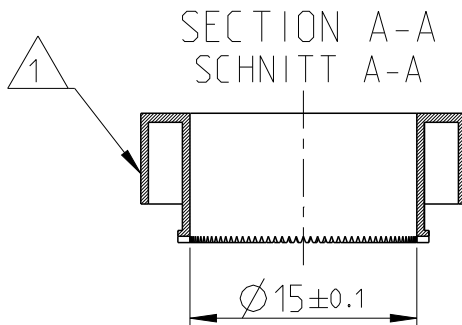
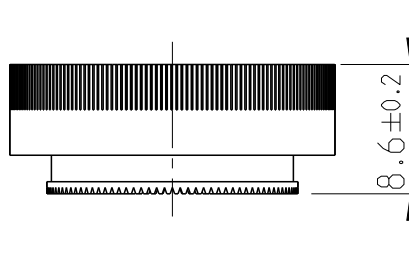
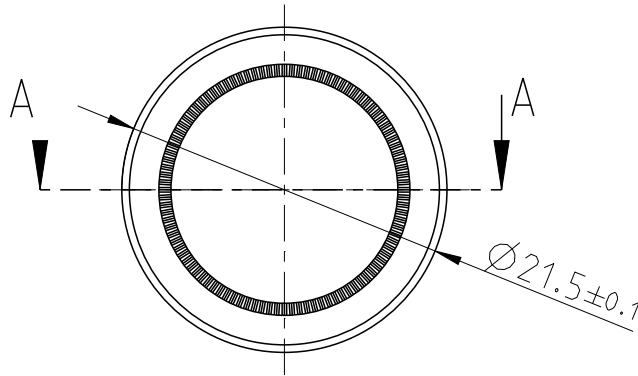


PROJEKT NR.  
 PRJ-13-00004433

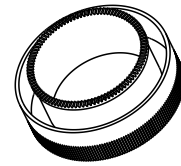
REVISIONS

MATED WITH:  
 PASSEND ZU:

P	LTR	DESCRIPTION BESCHREIBUNG	DATE	DWN	APVD
	A1	NEW DRAWING	24NOV2015	ER	DO
	A2	REV. PER ECR-16-000458	12JAN2016	ER	DO



SCALE 1:1



1 SURFACE: Ni PLATED  
 2 MATERIAL: BRASS

1 OBERFLAECHE: VERNICKELT  
 2 WERKSTOFF: MESSING

-1 AS SHOWN  
 -1 WIE GEZEICHNET

2015

RELEASED FOR PUBLICATION  
 FREI FUER VEROFFENTLICHUNG

THIS DRAWING IS UNCLASSIFIED.  
 VERTRAULICHE UNVEROFFENTLICHTE ZEICHNUNG

BY TE Connectivity Germany GmbH ALL RIGHTS RESERVED.  
 ALLE RECHTE VORBEHALTEN.

DIMENSIONS: MASSEINHEITEN: mm	DWN E. REISS	24NOV2015	MATERIAL	2	FINISH OBERFLAECHE/FARBE	1	
	CHK D. ONDREJ	24NOV2015	TE Connectivity				
TOLERANCES UNLESS OTHERWISE SPECIFIED: ALLGEMEINTOLERANZEN	APVD D. ONDREJ	24NOV2015					NAME
	PRODUCT SPEC PRODUKTSPEZ.	108-94485		SIZE	CAGE CODE	DRAWING NO ZEICHNUNGS-NR.	RESTRICTED TO NUR FUER
0 PLC ± 1 PLC ± 2 PLC ± 3 PLC ± 4 PLC ± ANGLES/W INKEL ±°	APPLICATION SPEC VERARBEITUNGSSPEZ.	114-94369		A 4	00779	©=2290270	-
WEIGHT GEWICHT		3.84g		CUSTOMER DRAWING			/KUNDENZEICHNUNG
		SCALE MASSSTAB		2:1	SHEET BLATT	1 OF VON 1	REV A2