



Chipsmall Limited consists of a professional team with an average of over 10 year of expertise in the distribution of electronic components. Based in Hongkong, we have already established firm and mutual-benefit business relationships with customers from,Europe,America and south Asia,supplying obsolete and hard-to-find components to meet their specific needs.

With the principle of "Quality Parts,Customers Priority,Honest Operation,and Considerate Service",our business mainly focus on the distribution of electronic components. Line cards we deal with include Microchip,ALPS,ROHM,Xilinx,Pulse,ON,Everlight and Freescale. Main products comprise IC,Modules,Potentiometer,IC Socket,Relay,Connector.Our parts cover such applications as commercial,industrial, and automotives areas.

We are looking forward to setting up business relationship with you and hope to provide you with the best service and solution. Let us make a better world for our industry!



## Contact us

Tel: +86-755-8981 8866 Fax: +86-755-8427 6832

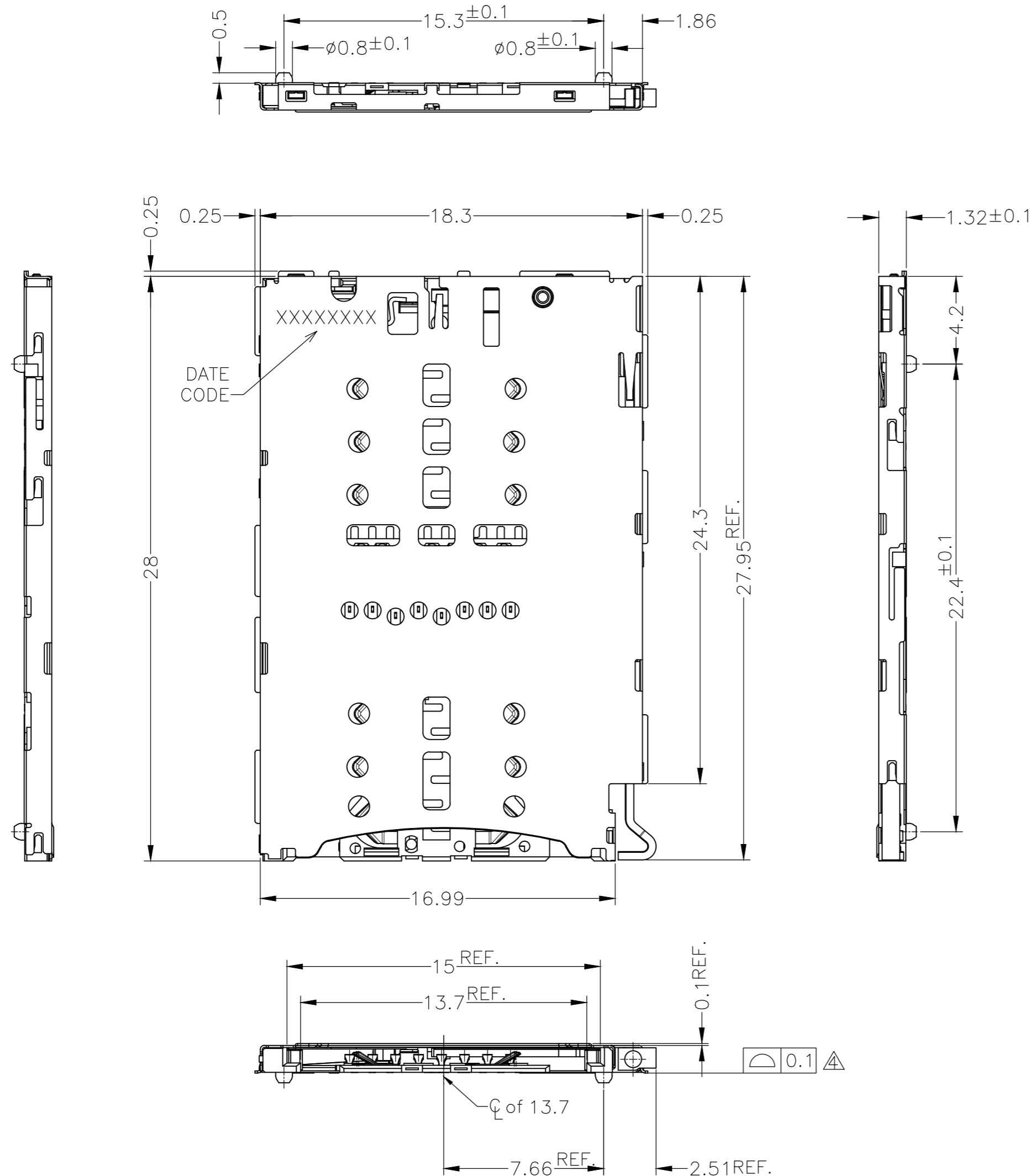
Email & Skype: info@chipsmall.com Web: www.chipsmall.com

Address: A1208, Overseas Decoration Building, #122 Zhenhua RD., Futian, Shenzhen, China



THIS DRAWING IS UNPUBLISHED. RELEASED FOR PUBLICATION  
 © COPYRIGHT - By - ALL RIGHTS RESERVED.

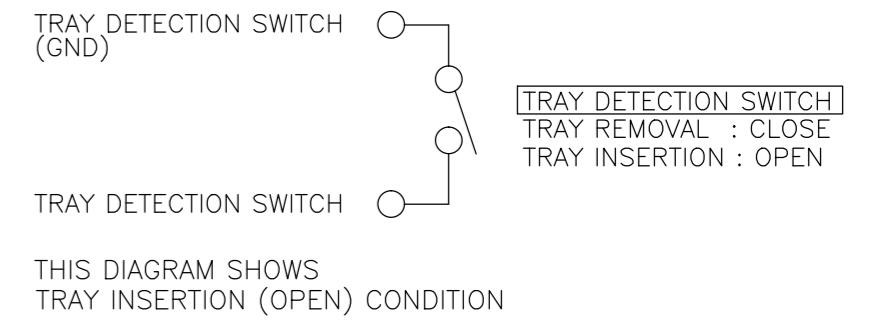
REVISIONS				
P	LTR	DESCRIPTION	DATE	APVD
C		REVISED	31MAY2016	J.T K.K



△ MATERIAL(PRELIMINARY):  
 HOUSING: THERMO PLASTIC, COLOR:BLACK  
 CONTACT : COPPER ALLOY  
 SWITCH CONTACT : COPPER ALLOY  
 SHELL : STAINLESS STEEL  
 LATCH : STAINLESS STEEL  
 LATCH MOLD : THERMO PLASTIC, COLOR:BLACK  
 SLIDER : STAINLESS STEEL  
 CAM : STAINLESS STEEL

△ FINISH:  
 CONTACT : Ni UNDER PLATING  
 SOLDERING AREA : Au PLATING  
 CONTACT AREA : Au PLATING  
 SWITCH CONTACT : Ni UNDER PLATING  
 SOLDERING AREA : Au PLATING  
 CONTACT AREA : Au PLATING  
 SHELL : Ni UNDER PLATING  
 SOLDERING AREA : Au PLATING

△ CAM, SLIDER MOVING AREA.  
 △ COPLANARITY, INITIAL 0.1 MAX.  
 △ CIRCUIT DRAWING OF SWITCH.

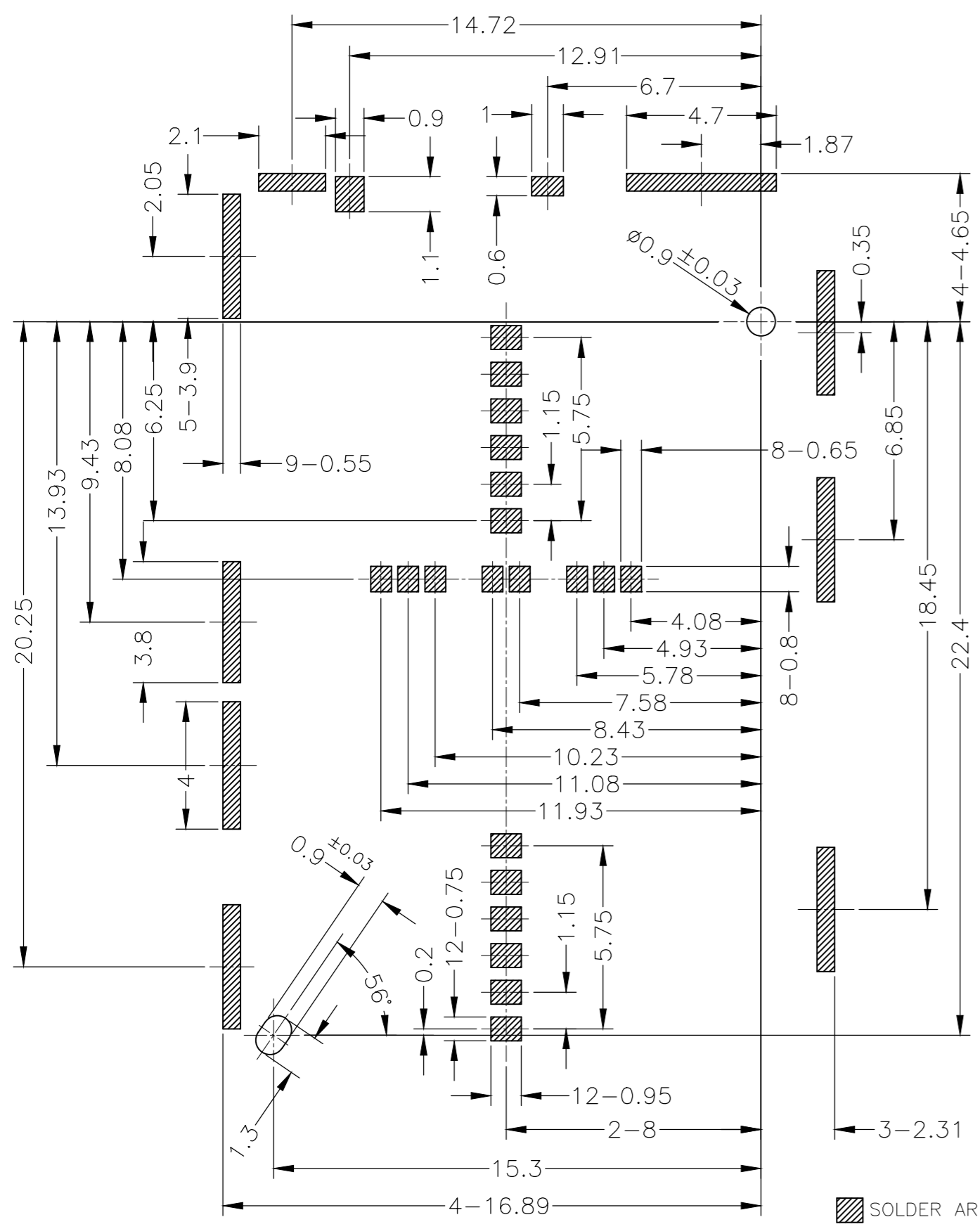


△ REFERENTIAL STENCIL DESIGN.  
 THICKNESS:0.1mm  
 OPENING RATIO: REFER TO SHEET 2  
 150%(5 GND PADS)  
 100%(OTHER PADS)

- 1:AS SHOWN

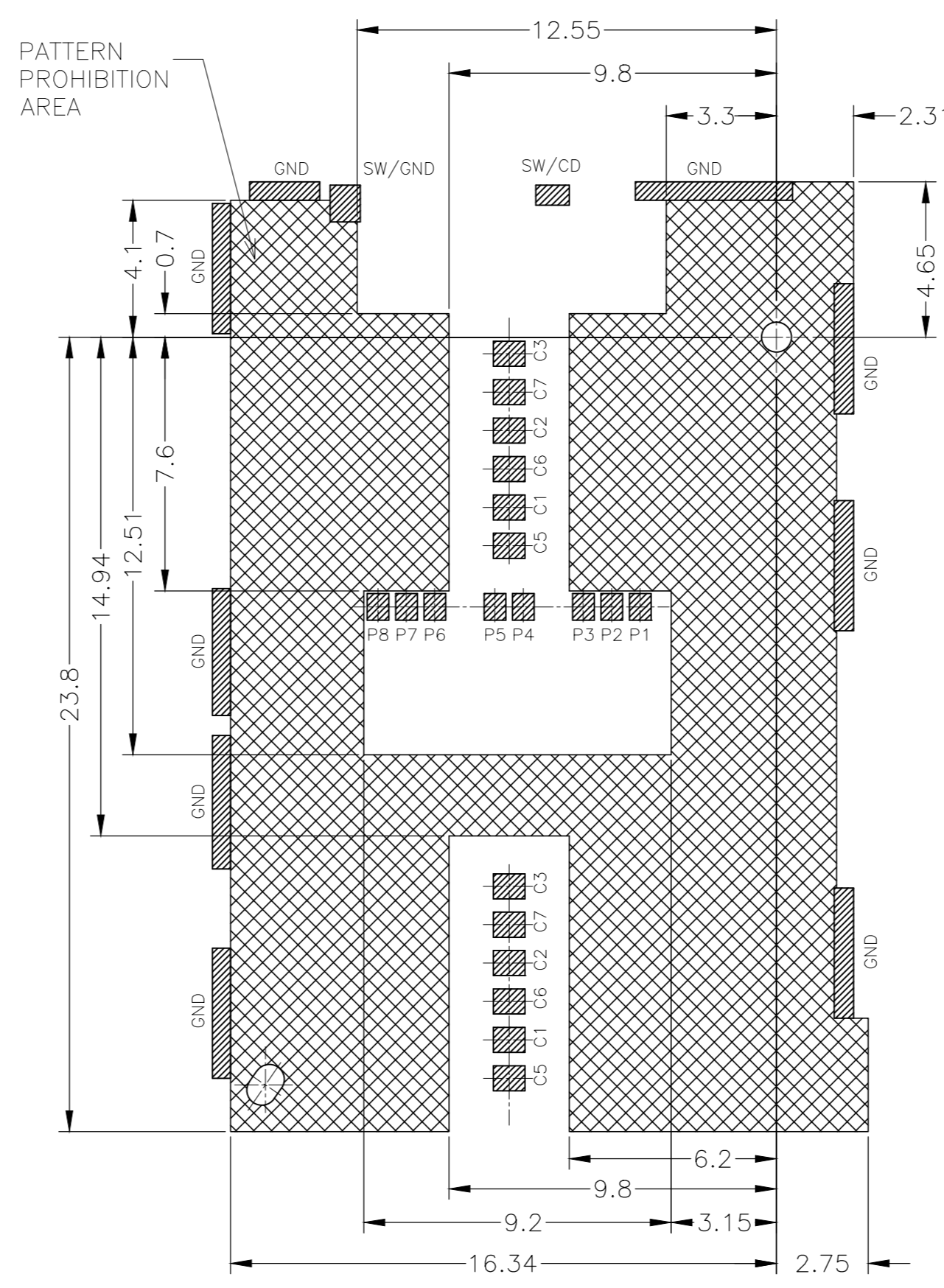
THIS DRAWING IS A CONTROLLED DOCUMENT.		DWN Y.OKOSHI 13FEB2015	△ 2290741-1	
DIMENSIONS: 単位: 純 mm		CHK J.TSUJI 13FEB2015	FINISH PART NUMBER	
TOLERANCES UNLESS OTHERWISE SPECIFIED: 一般公差		APVD K.KOBAYASHI 13FEB2015	TE Connectivity	
0 PLC ± 0.15 1 PLC ± 0.15 2 PLC ± 0.15 3 PLC ± - 4 PLC ± - ANGLES ± 3°		PRODUCT SPEC 製品規格 108-140083	NAME 名称 PIN PUSH TRAY TYPE CONNECTOR 3 IN 2 FOR 4FF AND MCIRO SD CARD	
MATERIAL 材料 △		APPLICATION SPEC 取付適用規格	SIZE A2	RESTRICTED TO
FINISH 仕上 △		WEIGHT 0	CAGE CODE 00779	DRAWING NO. 番号 C=2290741
		CUSTOMER DRAWING	SCALE 尺度 5:1	SHEET 1 of 4 REV C

REVISIONS				
P	LTR	DESCRIPTION	DATE	APVD
-	-	SEE SHEET 1	-	-



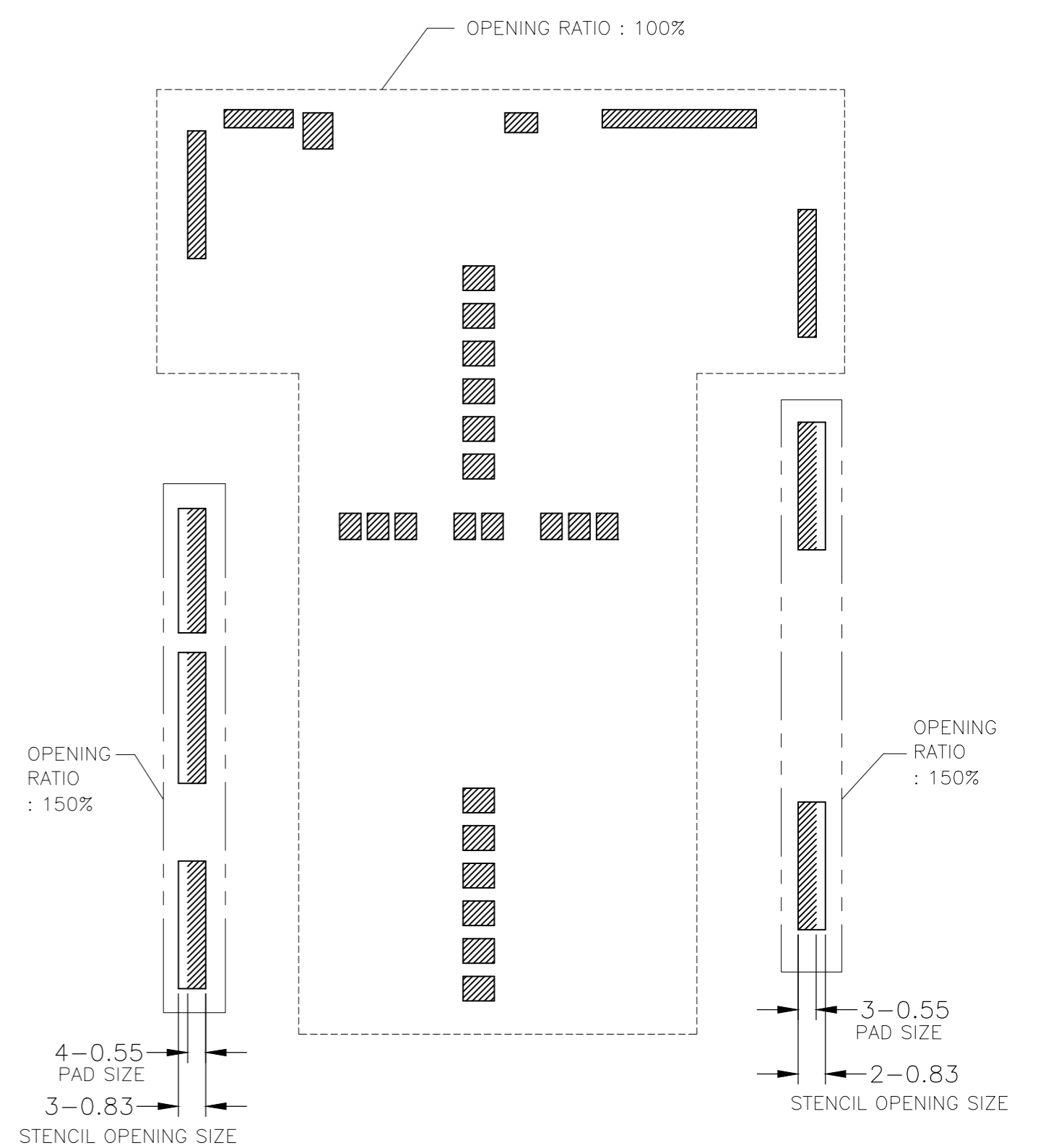
REFERENCE PCB LAYOUT (TOLERANCE : +/-0.05)  
FROM MOUNTING SURFACE

SOLDER AREA

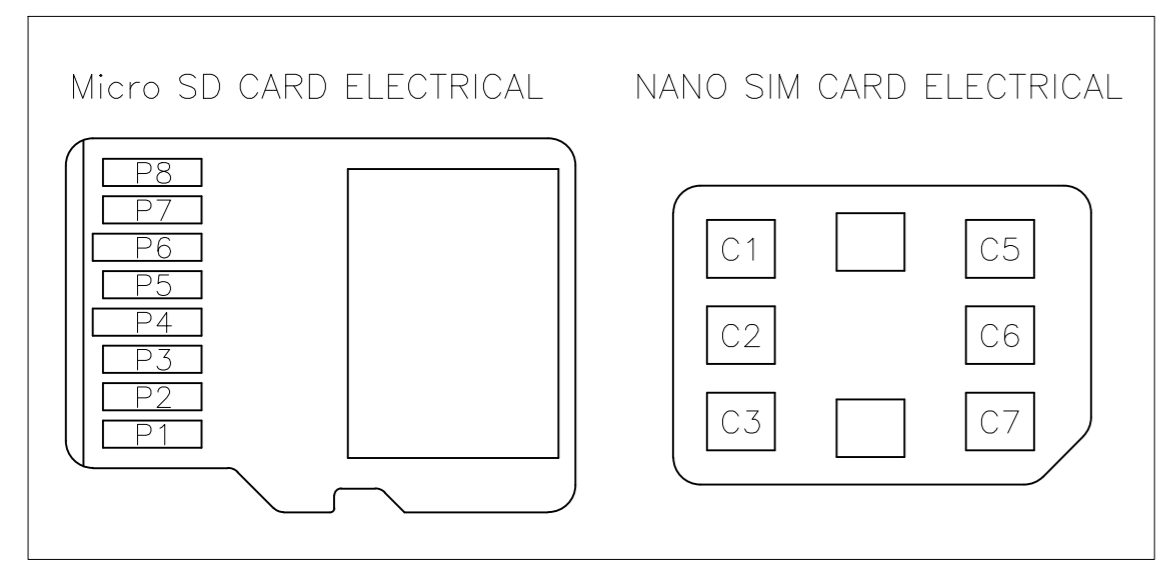


REFERENCE PCB LAYOUT (TOLERANCE : +/-0.05)  
FROM MOUNTING SURFACE

PATTERN PROHIBITION AREA



REFERENTIAL STENCIL DESIGN  
 PAD AREA  
 STENCIL OPENING AREA



CONNECTOR PIN ASSIGNMENT

ITEM	FUNCTION
Micro SD CARD	
P1	DAT2
P2	CD/DAT3
P3	CMD
P4	VDD
P5	CLK
P6	VSS
P7	DAT0
P8	DAT1
SW	TRAY DETECTION SW
S	SHELL GND
NANO SIM CARD	
C1	VCC
C2	RST
C3	CLK
C5	GND
C6	VPP
C7	DATA

CARD PIN ASSIGNMENT

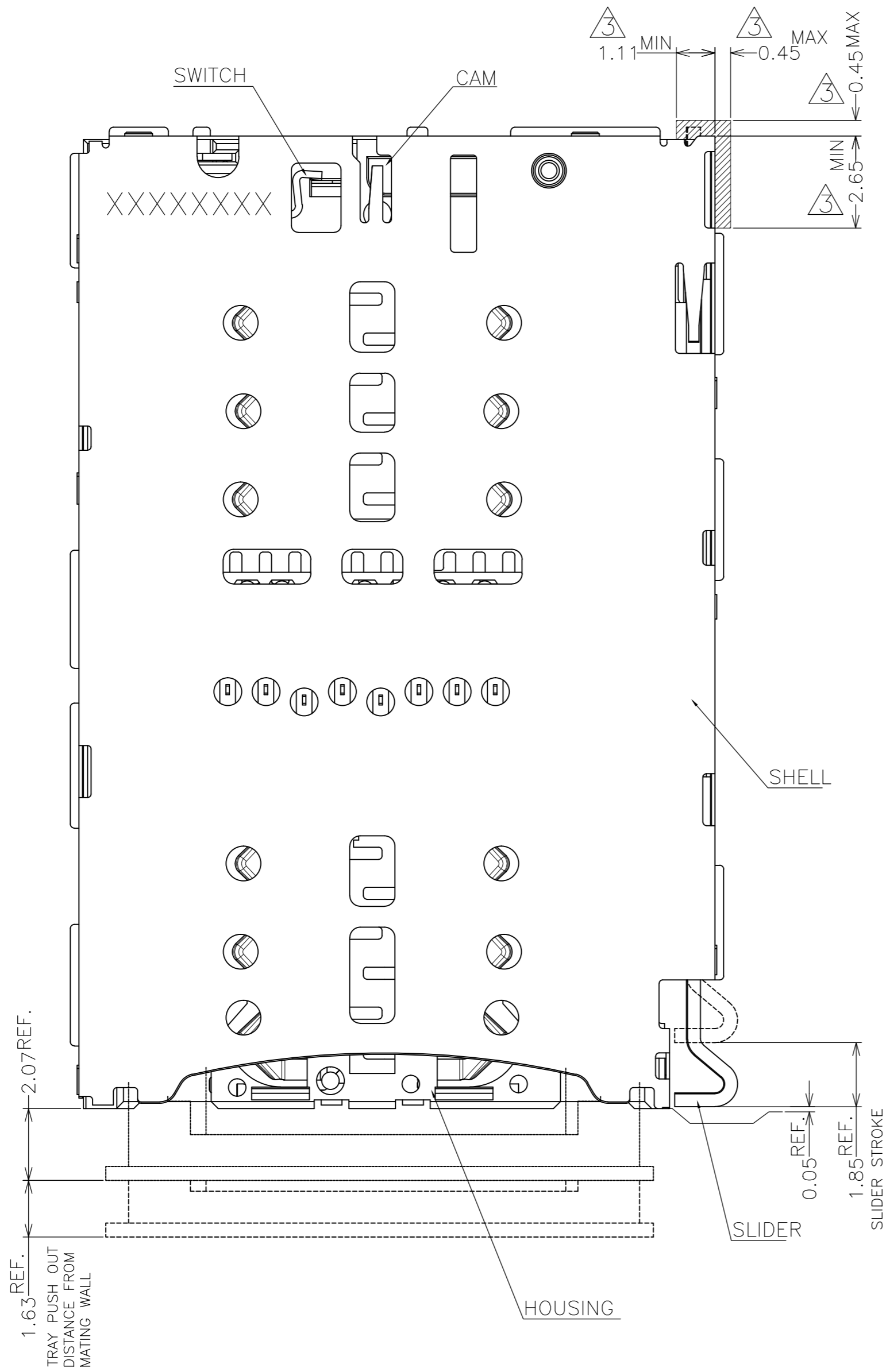
ITEM	FUNCTION
Micro SD CARD	
P1	DAT2
P2	CD/DAT3
P3	CMD
P4	VDD
P5	CLK
P6	VSS
P7	DAT0
P8	DAT1
NANO SIM CARD	
C1	VCC
C2	RST
C3	CLK
C5	GND
C6	VPP
C7	DATA

THIS DRAWING IS A CONTROLLED DOCUMENT.

DIMENSIONS: 單位: 耗 mm	TOLERANCES UNLESS OTHERWISE SPECIFIED: 一般公差	DWN	CHK	APVD	NAME 名稱
 MATERIAL 材料	0 PLC ± 1 PLC ± 2 PLC ± 3 PLC ± 4 PLC ± ANGLES ±	PRODUCT SPEC 製品規格	TE Connectivity PIN PUSH TRAY TYPE CONNECTOR 3 IN 2 FOR 4FF AND MCIRO SD CARD		
		FINISH 仕上	APPLICATION SPEC 取付適用規格	WEIGHT	SIZE A2
CUSTOMER DRAWING		SCALE 尺度 6:1	SHEET 2 of 4	DRAWING NO 番号 C=2290741	RESTRICTED TO

THIS DRAWING IS UNPUBLISHED. RELEASED FOR PUBLICATION  
 © COPYRIGHT - By - ALL RIGHTS RESERVED.

REVISIONS				
P	LTR	DESCRIPTION	DATE	APVD
-	-	SEE SHEET 1	-	-



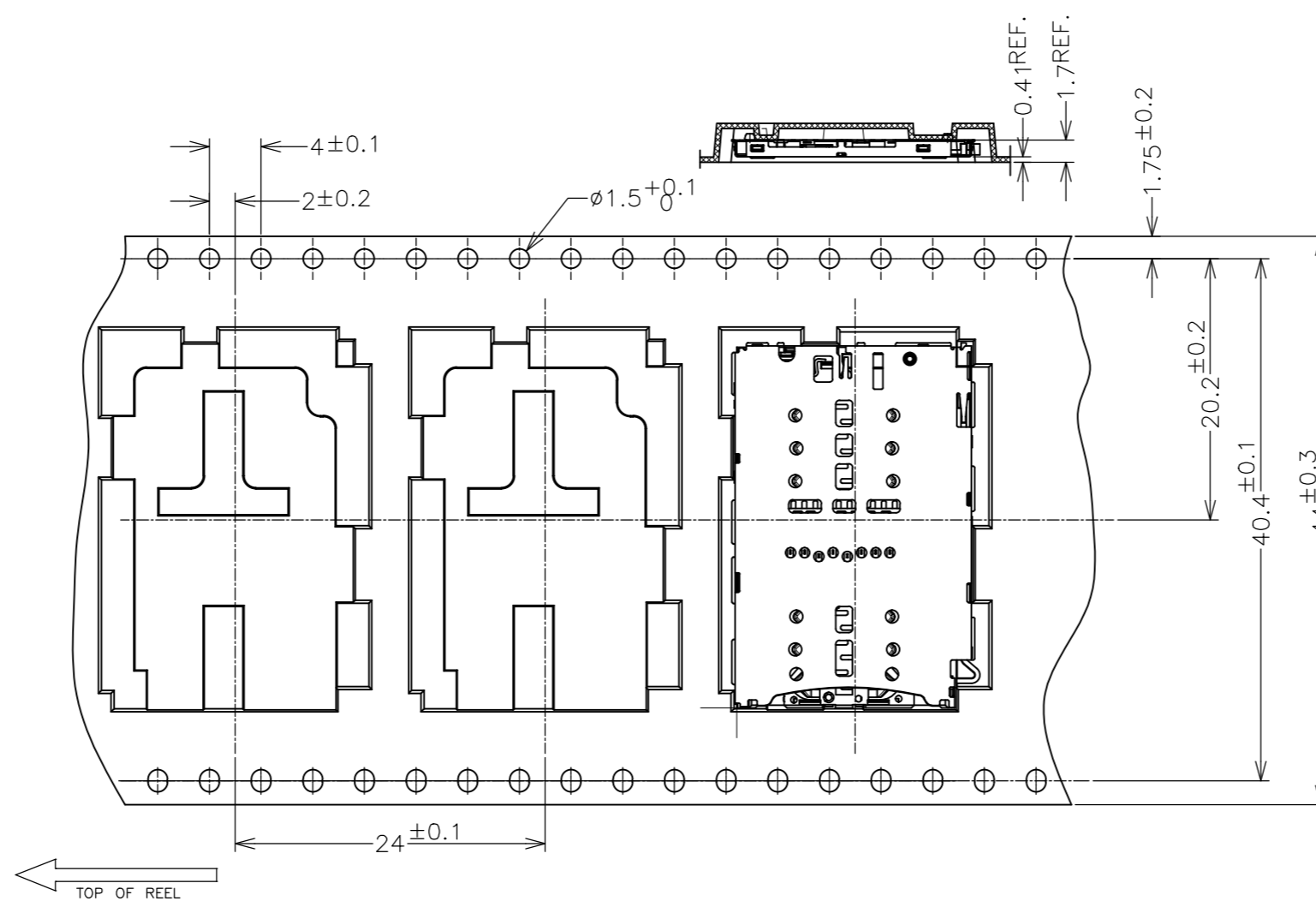
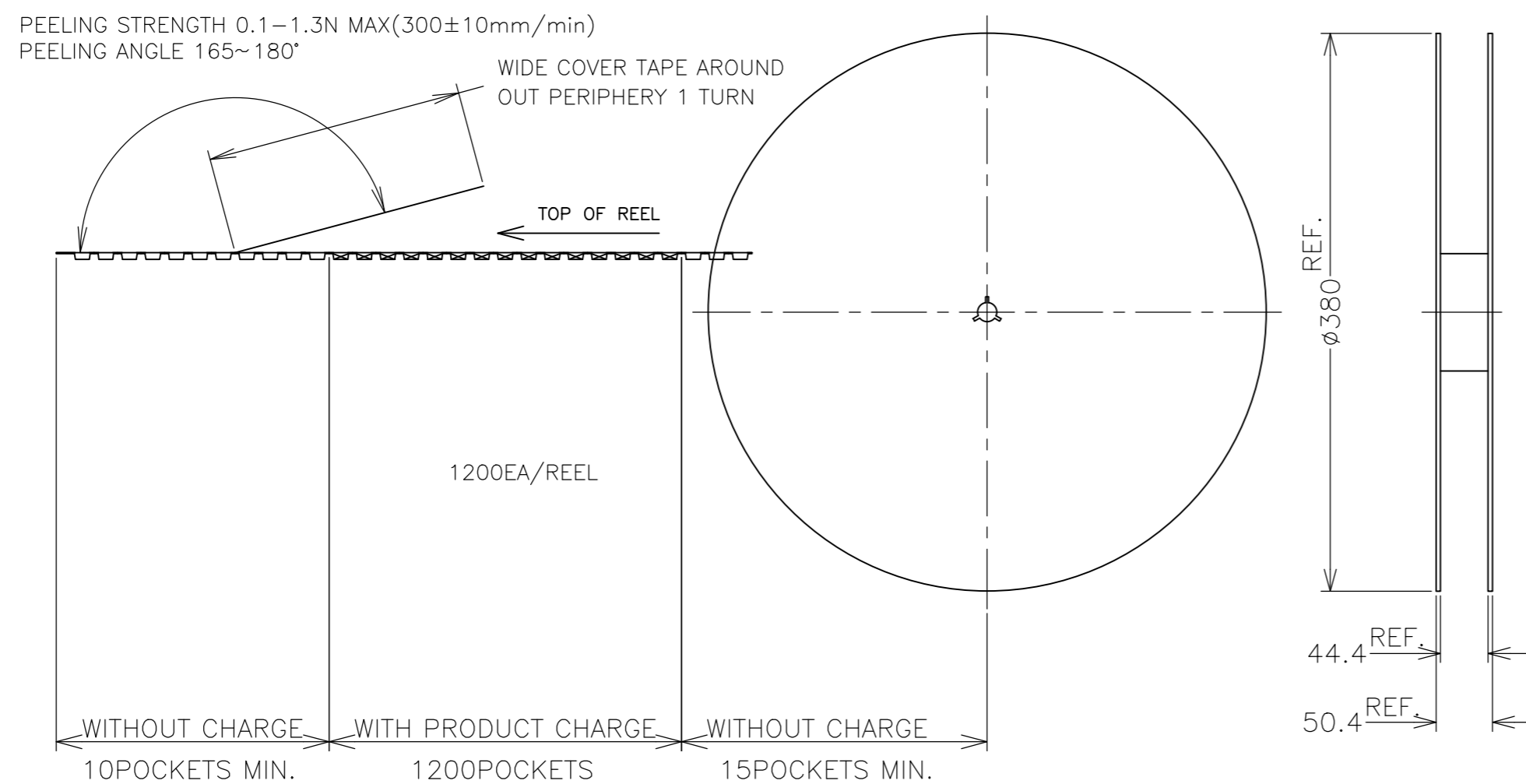
APPLICATION VIEW FOR TRAY

THIS DRAWING IS A CONTROLLED DOCUMENT.		DWN		
DIMENSIONS: 單位: 耗 mm		CHK		
TOLERANCES UNLESS OTHERWISE SPECIFIED: 一般公差		APVD	NAME 名稱	
0 PLC ±		PRODUCT SPEC 製品規格	PIN PUSH TRAY TYPE CONNECTOR	
1 PLC ±		APPLICATION SPEC 取付適用規格	3 IN 2 FOR 4FF AND MCIRO SD CARD	
2 PLC ±		WEIGHT	SIZE	CAGE CODE
3 PLC ±		FINISH 仕上	A2	00779
4 PLC ±			DRAWING NO 番号	C=2290741
ANGLES ± -		CUSTOMER DRAWING	SCALE 尺度	SHEET 3 of 4
MATERIAL 材料			8:1	REV C

2290741

THIS DRAWING IS UNPUBLISHED. RELEASED FOR PUBLICATION  
 © COPYRIGHT - By - ALL RIGHTS RESERVED.

REVISIONS				
P	LTR	DESCRIPTION	DATE	APVD
-	-	SEE SHEET 1	-	-



THIS DRAWING IS A CONTROLLED DOCUMENT.		DWN	TE Connectivity NAME 名稱 PIN PUSH TRAY TYPE CONNECTOR 3 IN 2 FOR 4FF AND MICRO SD CARD	
DIMENSIONS: 單位: 耗 mm		CHK		
TOLERANCES UNLESS OTHERWISE SPECIFIED: 一般公差		APVD	PRODUCT SPEC 製品規格	
0 PLC ± 1 PLC ± 2 PLC ± 3 PLC ± 4 PLC ± ANGLES ±		APPLICATION SPEC 取付適用規格		SIZE A2
MATERIAL 材料		WEIGHT	CAGE CODE 00779	DRAWING NO. 圖號 C-2290741
FINISH 仕上		CUSTOMER DRAWING		RESTRICTED TO
		SCALE 尺度 NTS	SHEET 4 OF 4	REV C