



Chipsmall Limited consists of a professional team with an average of over 10 year of expertise in the distribution of electronic components. Based in Hongkong, we have already established firm and mutual-benefit business relationships with customers from,Europe,America and south Asia,supplying obsolete and hard-to-find components to meet their specific needs.

With the principle of “Quality Parts,Customers Priority,Honest Operation,and Considerate Service”,our business mainly focus on the distribution of electronic components. Line cards we deal with include Microchip,ALPS,ROHM,Xilinx,Pulse,ON,Everlight and Freescale. Main products comprise IC,Modules,Potentiometer,IC Socket,Relay,Connector.Our parts cover such applications as commercial,industrial, and automotives areas.

We are looking forward to setting up business relationship with you and hope to provide you with the best service and solution. Let us make a better world for our industry!



## Contact us

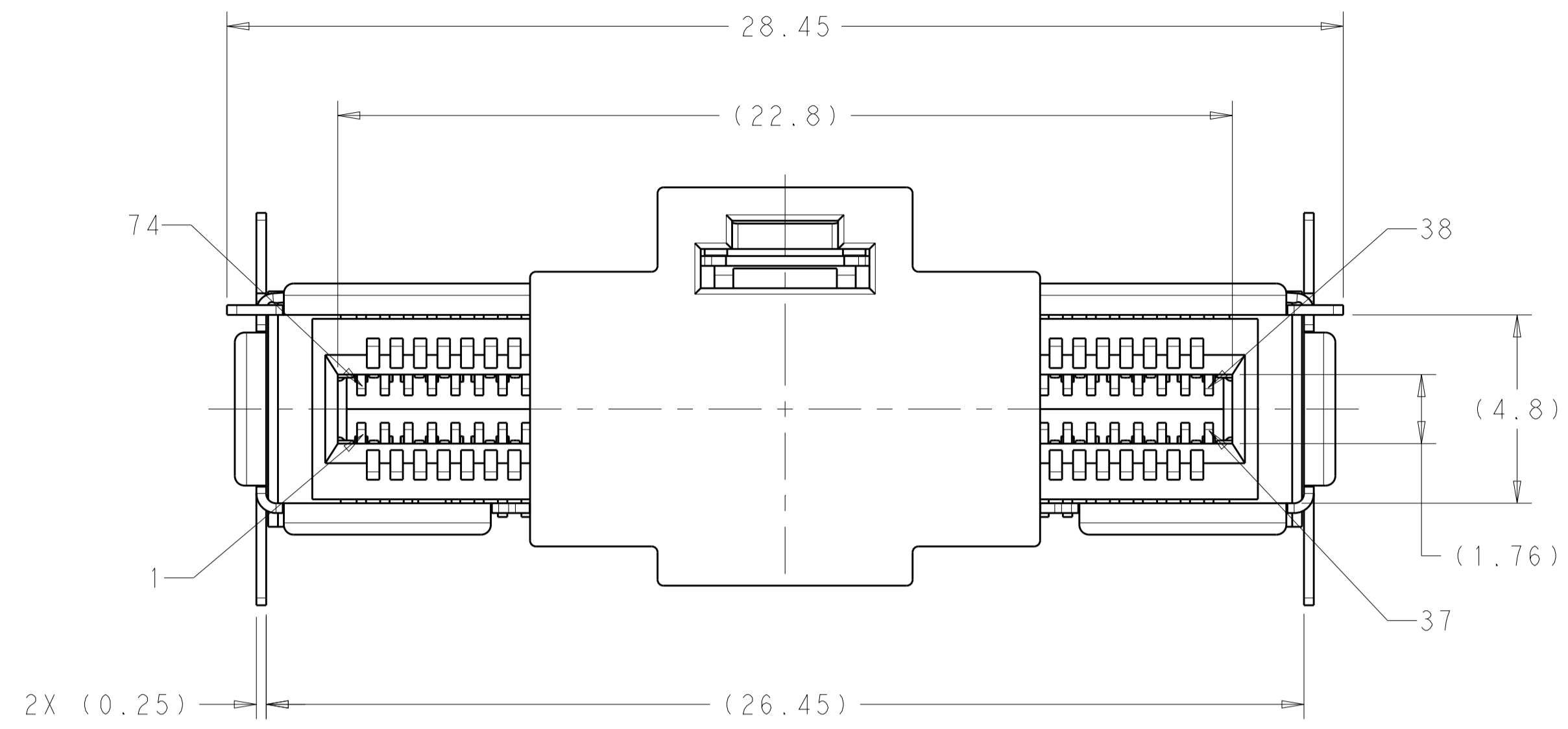
Tel: +86-755-8981 8866 Fax: +86-755-8427 6832

Email & Skype: info@chipsmall.com Web: www.chipsmall.com

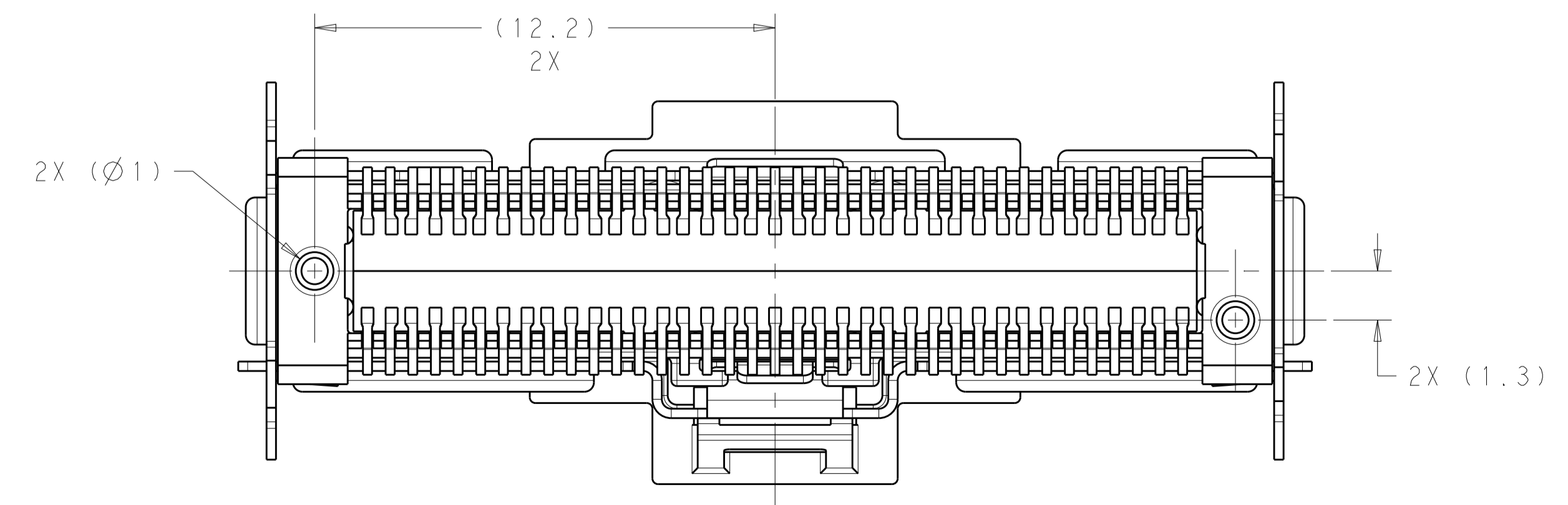
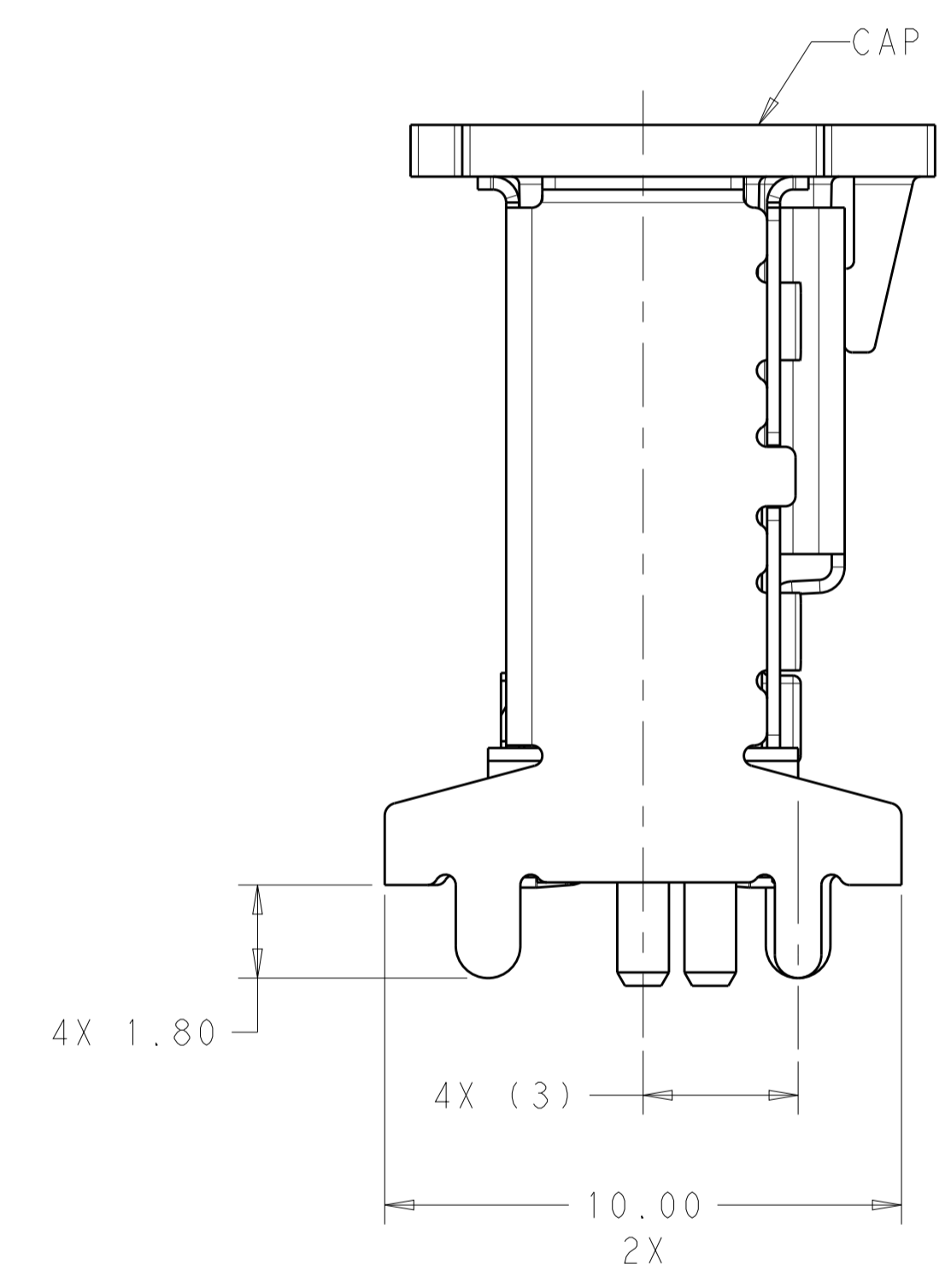
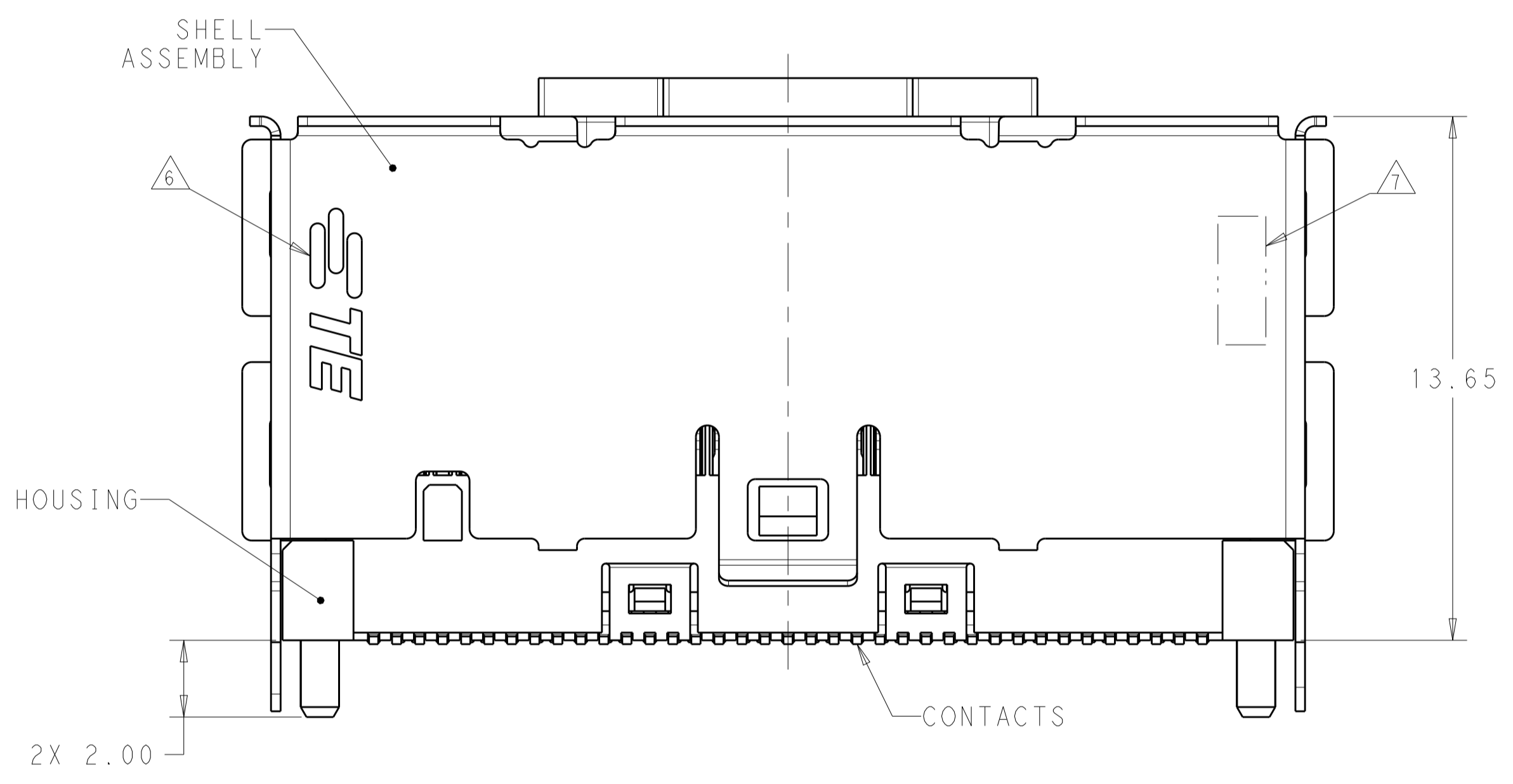
Address: A1208, Overseas Decoration Building, #122 Zhenhua RD., Futian, Shenzhen, China



REVISIONS				
P.	LTN	DESCRIPTION	DATE	APVD
A		RELEASE	15JUN2017	CJV EDB
B		REVISED PER ECO-17-014247	21SEP2017	MS MP



- ① HOUSING AND CONTACT OVERMOLD: LCP, BLACK.  
 CAP: LCP, BLACK.  
 CONTACTS: COPPER ALLOY.  
 SHELL ASSEMBLY: COPPER ALLOY, NICKEL PLATED.  
 TIN PLATED ON HOLD DOWNS.
- ② GOLD PLATED ON MATING INTERFACE. TIN PLATED ON SOLDER TAILS.
- ③ DATUM AND BASIC DIMENSION ESTABLISHED BY CUSTOMER.
- 4. DESIGNED FOR A 1.42 MIN THICK PC BOARD.
- ⑤ RECOMMENDED COMPONENT KEEP OUT AREA.
- ⑥ TE CONNECTIVITY LOGO MARKED IN APPROXIMATE AREA SHOWN.
- ⑦ PART NUMBER AND DATE CODE MARKED IN APPROXIMATE AREA SHOWN



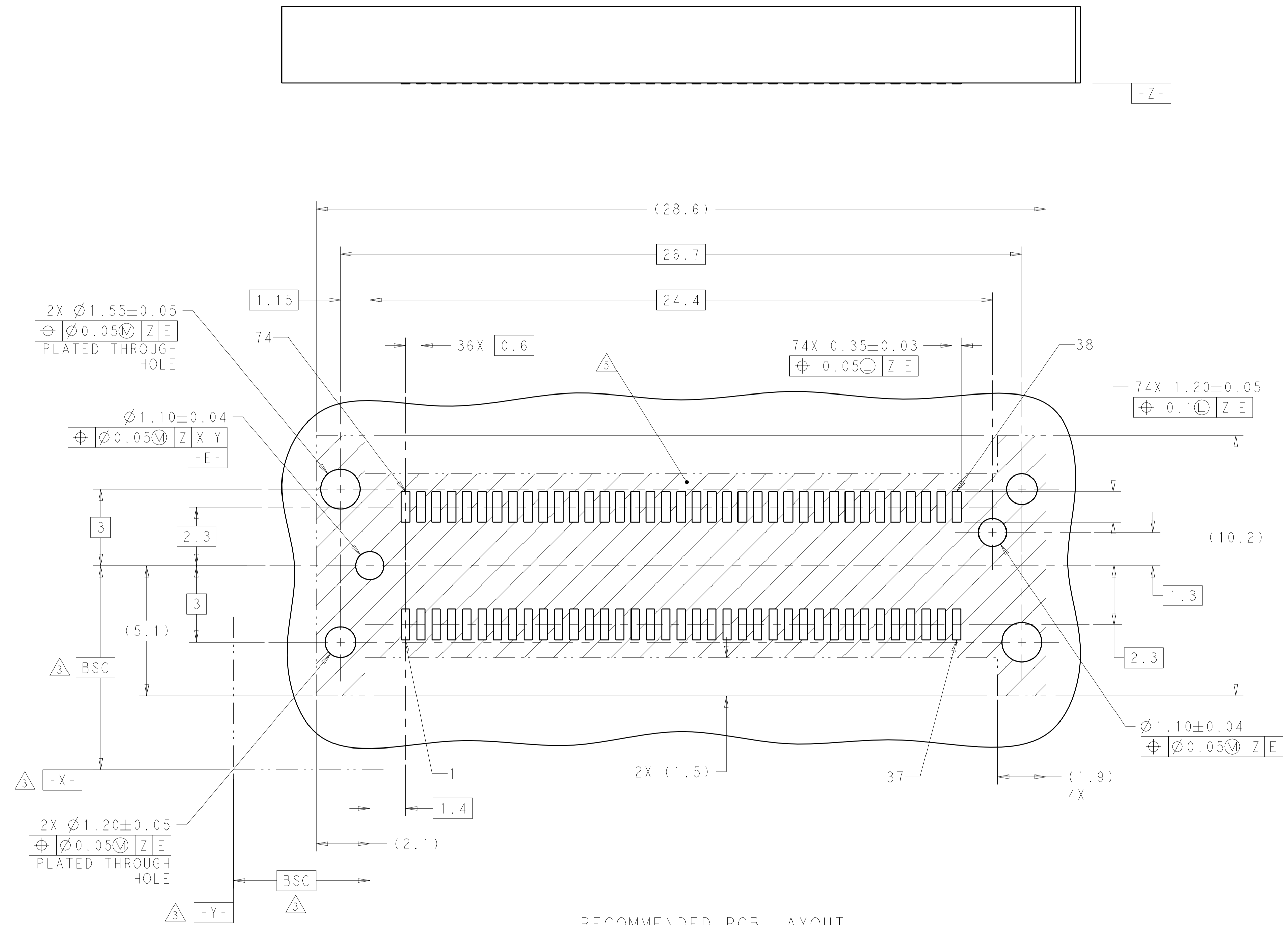
WITHOUT CAP	2291316-2
WITH CAP	2291316-1
REMARKS	PART NUMBER

THIS DRAWING IS A CONTROLLED DOCUMENT. DWN: M\_SHIRK 09MAR2015  
 CHK: M\_PHILLIPS 09MAR2015

DIMENSIONS:	TOLERANCES UNLESS OTHERWISE SPECIFIED:	NAME	RESTRICTED TO
mm	0 PLC ± 1 PLC ± 2 PLC ±0.15 3 PLC ± 4 PLC ±	PRODUCT SPEC	
ANGLES	FINISH	APPLICATION SPEC	
MATERIAL	①	WEIGHT	
	②	CUSTOMER DRAWING	

SIZE: A1 CAGE CODE: - DRAWING NO: C=2291316  
 SCALE: 8:1 SHEET 1 OF 2 REV B

REVISIONS				
P.	LTN	DESCRIPTION	DATE	APPD
-	-	SEE SHEET 1	-	-



PIN #	DESCRIPTION	PIN #	DESCRIPTION
1	SIGNAL GROUND	74	SIGNAL GROUND
2	SIGNAL	73	SIGNAL
3	SIGNAL	72	SIGNAL
4	SIGNAL GROUND	71	SIGNAL GROUND
5	SIGNAL	70	SIGNAL
6	SIGNAL	69	SIGNAL
7	SIGNAL GROUND	68	SIGNAL GROUND
8	SIGNAL	67	SIGNAL
9	SIGNAL	66	SIGNAL
10	SIGNAL GROUND	65	SIGNAL GROUND
11	SIGNAL	64	SIGNAL
12	SIGNAL	63	SIGNAL
13	SIGNAL GROUND	62	SIGNAL GROUND
14	SIGNAL	61	SIGNAL
15	SIGNAL	60	SIGNAL
16	SIGNAL GROUND	59	SIGNAL GROUND
17	SIGNAL	58	SIGNAL
18	SIGNAL	57	SIGNAL
19	SIGNAL GROUND	56	SIGNAL GROUND
20	SIGNAL	55	SIGNAL
21	SIGNAL	54	SIGNAL
22	SIGNAL GROUND	53	SIGNAL GROUND
23	SIGNAL	52	SIGNAL
24	SIGNAL	51	SIGNAL
25	SIGNAL GROUND	50	SIGNAL GROUND
26	SIGNAL	49	SIGNAL
27	SIGNAL	48	SIGNAL
28	SIGNAL GROUND	47	SIGNAL GROUND
29	SIGNAL	46	SIGNAL
30	SIGNAL	45	SIGNAL
31	SIGNAL GROUND	44	SIGNAL GROUND
32	SIGNAL	43	SIGNAL
33	SIGNAL	42	SIGNAL
34	SIGNAL GROUND	41	SIGNAL GROUND
35	SIGNAL	40	SIGNAL
36	SIGNAL	39	SIGNAL
37	SIGNAL GROUND	38	SIGNAL GROUND

RECOMMENDED PCB LAYOUT  
 AND KEEP OUT AREA  
 SCALE 10:1

THIS DRAWING IS A CONTROLLED DOCUMENT.		DWN M. SHIRK 09MAR2015 CHK M. PHILLIPS 09MAR2015 APVD -	TE Connectivity
DIMENSIONS: mm 	TOLERANCES UNLESS OTHERWISE SPECIFIED: 0 PLC ± 1 PLC ±0.15 2 PLC ± 3 PLC ± 4 PLC ± ANGLES ± FINISH	NAME RECEPTACLE CONNECTOR, VERTICAL, 74 POSITION, SLIVER PRODUCT SPEC APPLICATION SPEC WEIGHT CUSTOMER DRAWING	
MATERIAL		SIZE A1 CAGE CODE DRAWING NO. C=2291316 SCALE 5:1 SHEET 2 OF 2 REV B	RESTRICTED TO