



Chipsmall Limited consists of a professional team with an average of over 10 year of expertise in the distribution of electronic components. Based in Hongkong, we have already established firm and mutual-benefit business relationships with customers from,Europe,America and south Asia,supplying obsolete and hard-to-find components to meet their specific needs.

With the principle of “Quality Parts,Customers Priority,Honest Operation,and Considerate Service”,our business mainly focus on the distribution of electronic components. Line cards we deal with include Microchip,ALPS,ROHM,Xilinx,Pulse,ON,Everlight and Freescale. Main products comprise IC,Modules,Potentiometer,IC Socket,Relay,Connector.Our parts cover such applications as commercial,industrial, and automotives areas.

We are looking forward to setting up business relationship with you and hope to provide you with the best service and solution. Let us make a better world for our industry!



Contact us

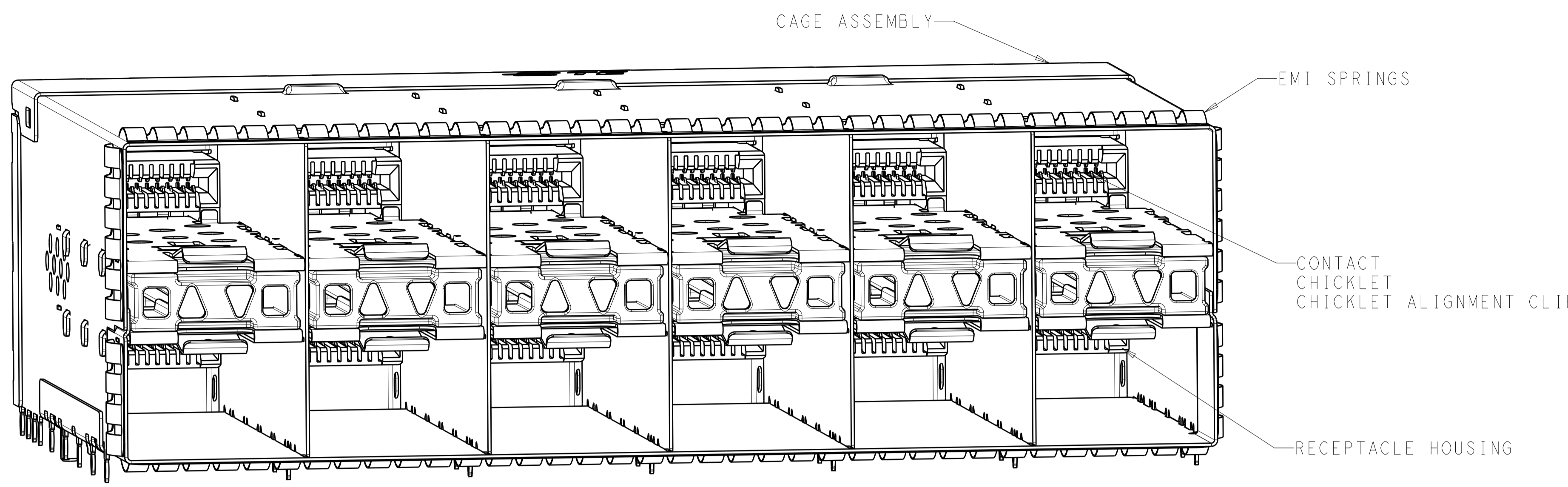
Tel: +86-755-8981 8866 Fax: +86-755-8427 6832

Email & Skype: info@chipsmall.com Web: www.chipsmall.com

Address: A1208, Overseas Decoration Building, #122 Zhenhua RD., Futian, Shenzhen, China



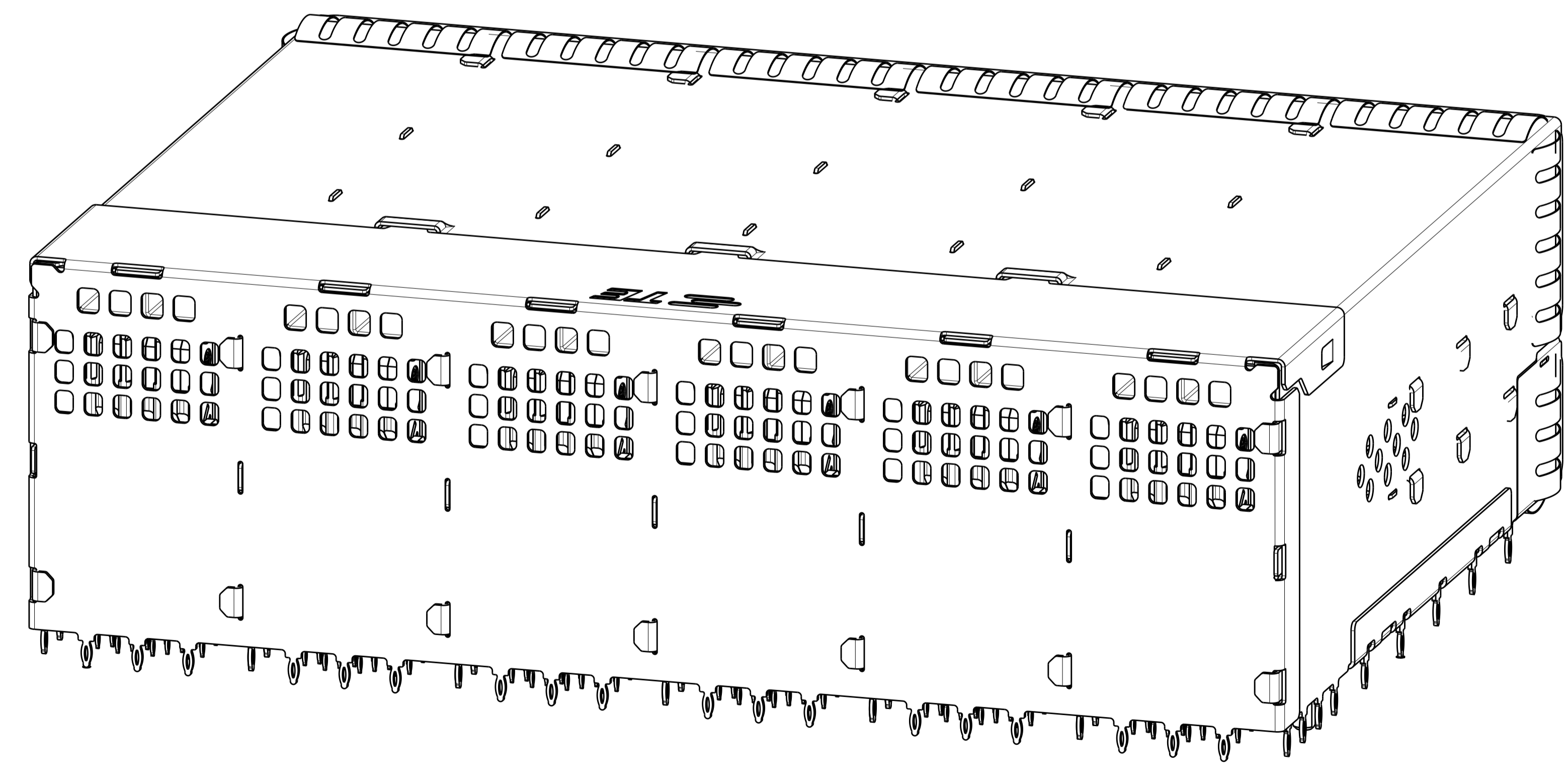
LOC	DIST	REVISIONS			
P	LTN	DESCRIPTION	DATE	DWN	APVD
1		INITIAL RELEASE	16MAR2015	BMM	PAR
A		REVISED PER ECO-15-010819	10AUG2015	PP	SH



2291491-1
SCALE 4:1

RECEPTACLE HOUSING SHIELD

- MATERIALS:
 CAGE ASSEMBLY - NICKEL-SILVER ALLOY PER ASTM B 122
 CONNECTOR HOUSING - LCP, BLACK, UL 94V-O RATED
 CONNECTOR HOUSING SHIELD - COPPER ALLOY
 CHICKLET - LCP, BLACK, UL 94V-O RATED
 CHICKLET ALIGNMENT CLIP - PBT
 CONTACT - COPPER ALLOY
 EMI SPRINGS - PHOSPHOR BRONZE PER ASTM B 103,
 0.8µm MIN TIN PER ASTM B 545
 LIGHT PIPE - POLYCARBONATE
 LIGHT PIPE HOUSING - ZINC ALLOY
 - CONTACT FINISH:
 0.76µm MIN GOLD PER ASTM B 844 AT MATING INTERFACE,
 1.25µm MIN MATTE TIN PER ASTM B 545 AT PCB INTERFACE,
 ALL OVER 2.54µm MIN NICKEL PER QQ-N-290.
 - PCB MINIMUM THICKNESS = 1.5mm
- ⚠ FOR HOLE SIZE AND PLATINGS,
SEE APPLICATION SPECIFICATION 114-13319
- ⚠ LIGHT PIPE PAD LAYOUT IS FOR 0805 LOW PROFILE
LED PACKAGE WITH A HEIGHT OF 0.8mm
- ⚠ THE ENTIRE AREA OF THE CONNECTOR FOOTPRINT, INDICATED BY THE
DASHED LINE, TO BE CONSIDERED THE KEEPOUT AREA FOR COMPONENTS
AND SIGNAL TRACES, TOP SIDE ONLY, TOP SIDE TRACES ALLOWED
WITHIN CONNECTOR HOLE PATTERN



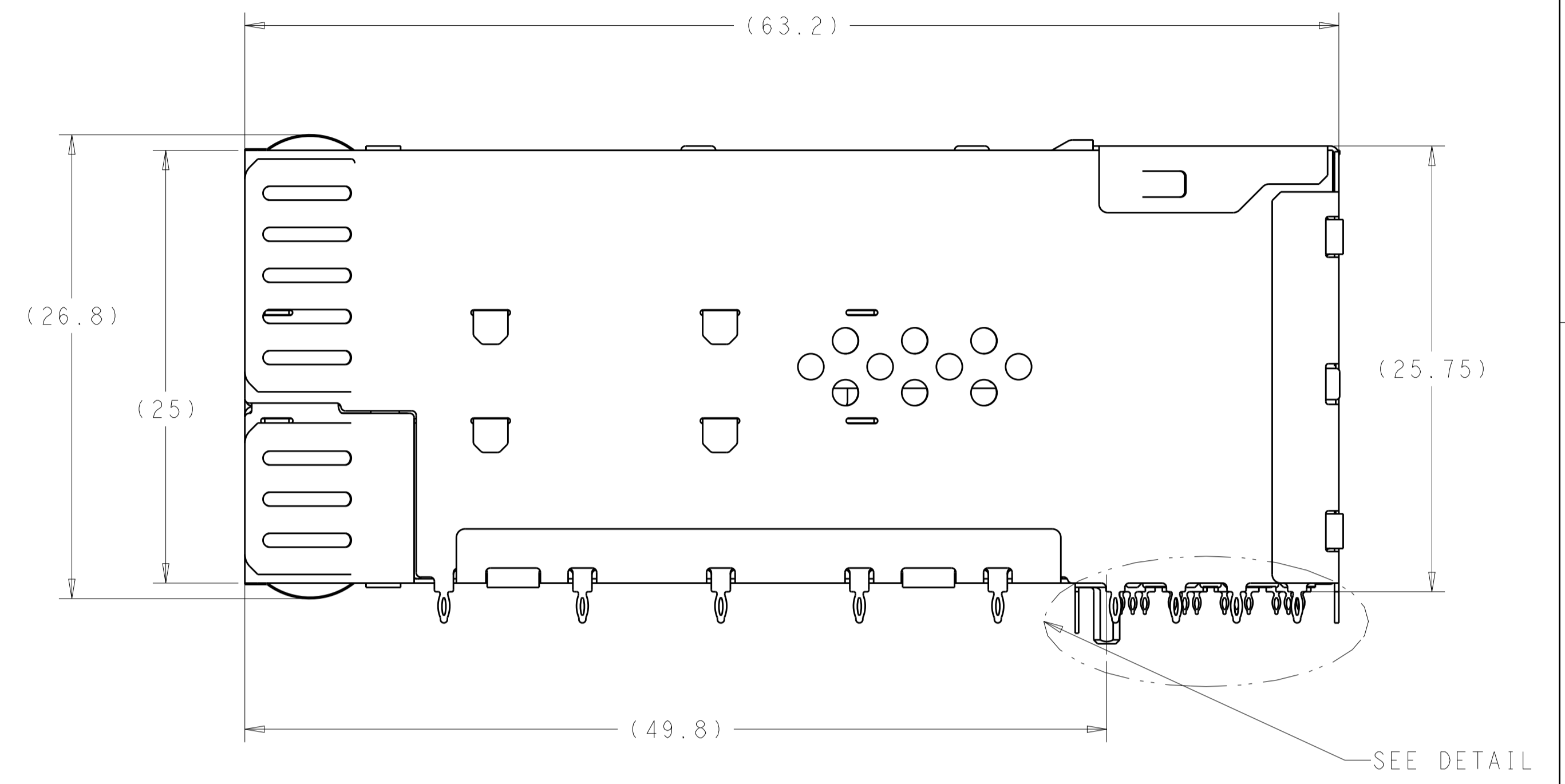
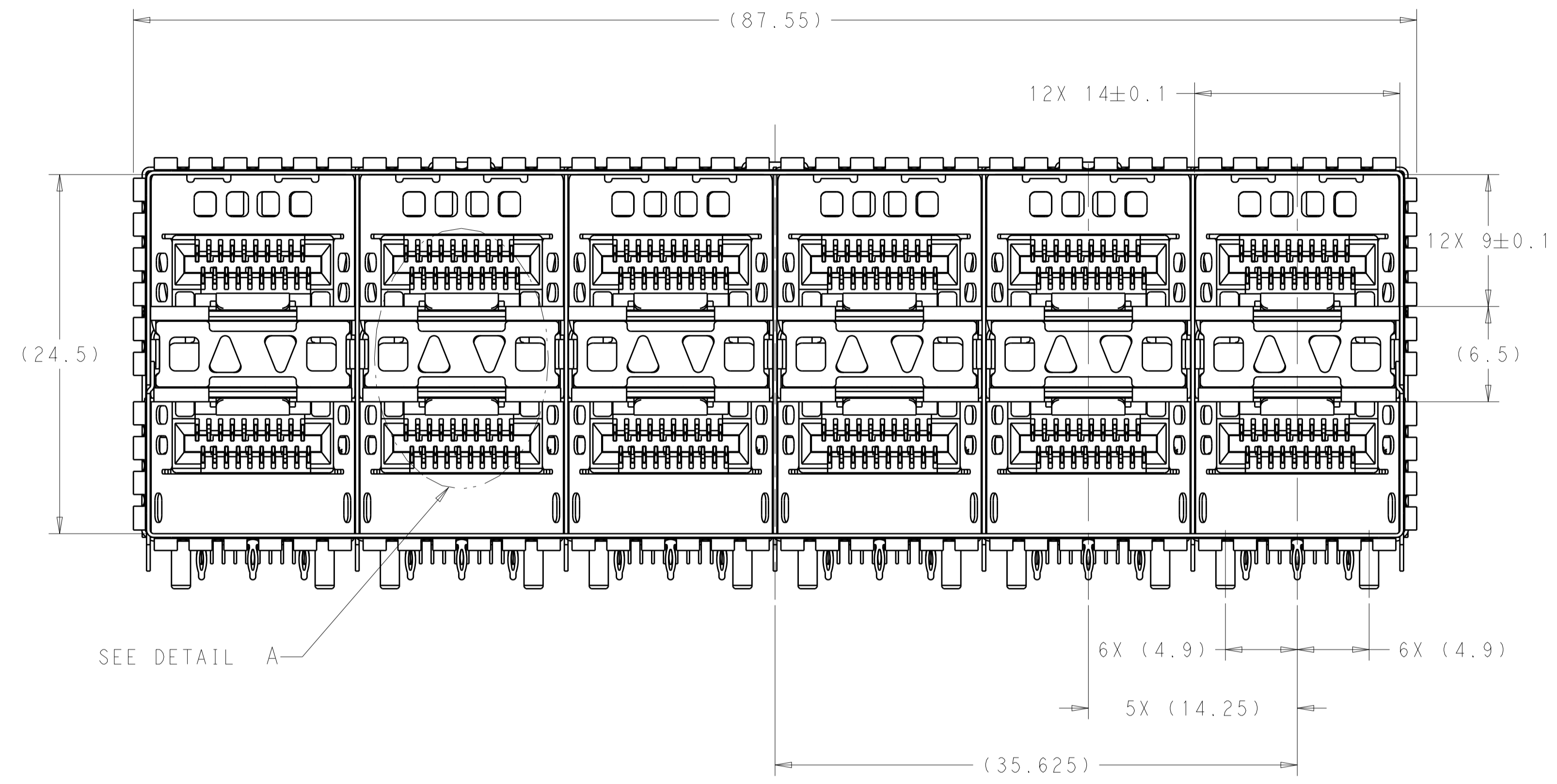
SCALE 4:1

2291491-1
PART NUMBER

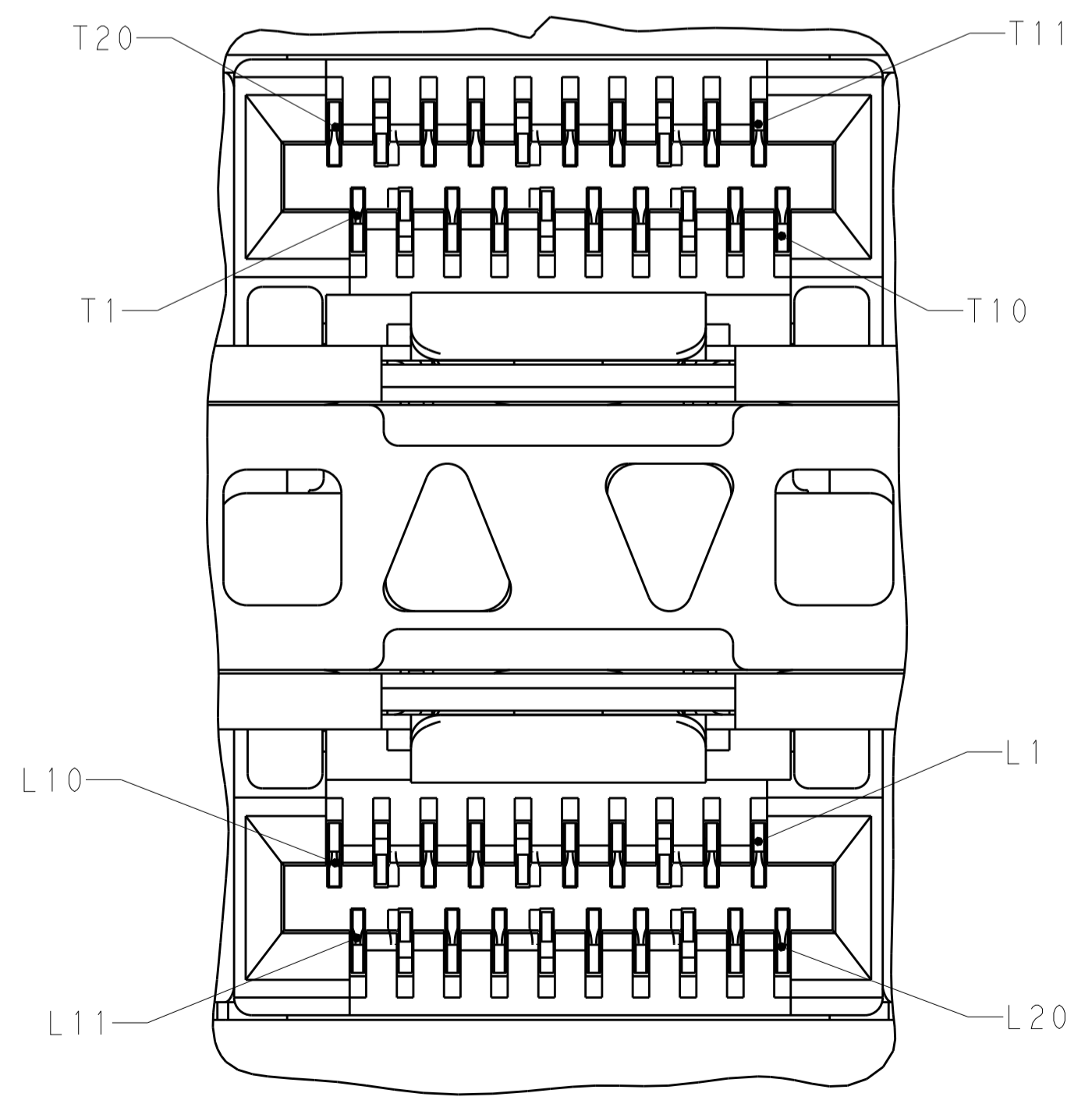
DESIGN APPROVED THIS PRINT IS
PRELIMINARY
TO FIRST PIECE APPROVAL
CONTACT PRODUCT ENGINEERING
BEFORE USING THIS PRINT

THIS DRAWING IS A CONTROLLED DOCUMENT.		DWN B. MATTHEWS 16MAR2015	STE TE Connectivity	
DIMENSIONS: mm		CHK P. RECCE 16MAR2015	NAME RECEPTACLE ASSEMBLY, 2X6, STACKED, 2SFP+ THERMAL	
TOLERANCES UNLESS OTHERWISE SPECIFIED:		APVD P. RECCE 16MAR2015	SIZE A100779C=2291491	
0 PLC ±	1 PLC ±	PRODUCT SPEC	RESTRICTED TO	
2 PLC ±	3 PLC ±	108-2481	SCALE 1:1 SHEET 1 OF 4 REV A	
4 PLC ±	ANGLES ±	APPLICATION SPEC		
MATERIAL SEE NOTES		FINISH SEE NOTES	Customer Drawing	
		WEIGHT		

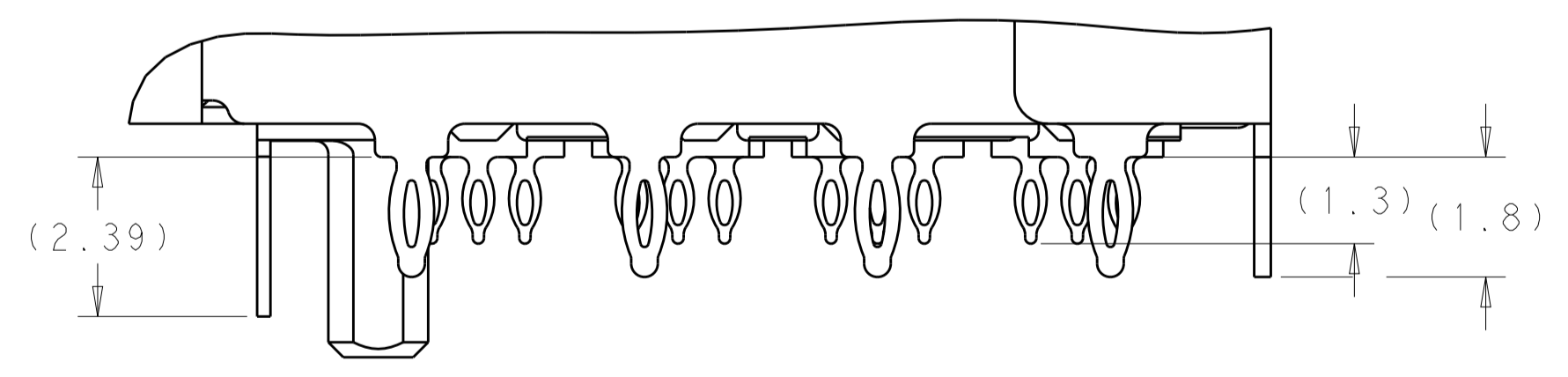
LOC		DIST		REVISIONS			
GP	00	P	LTN	DESCRIPTION	DATE	DMN	APVD
		-		SEE SHEET 1			



SCALE 4:1



DETAIL A
 6X INDIVIDUALLY
 SCALE 10:1

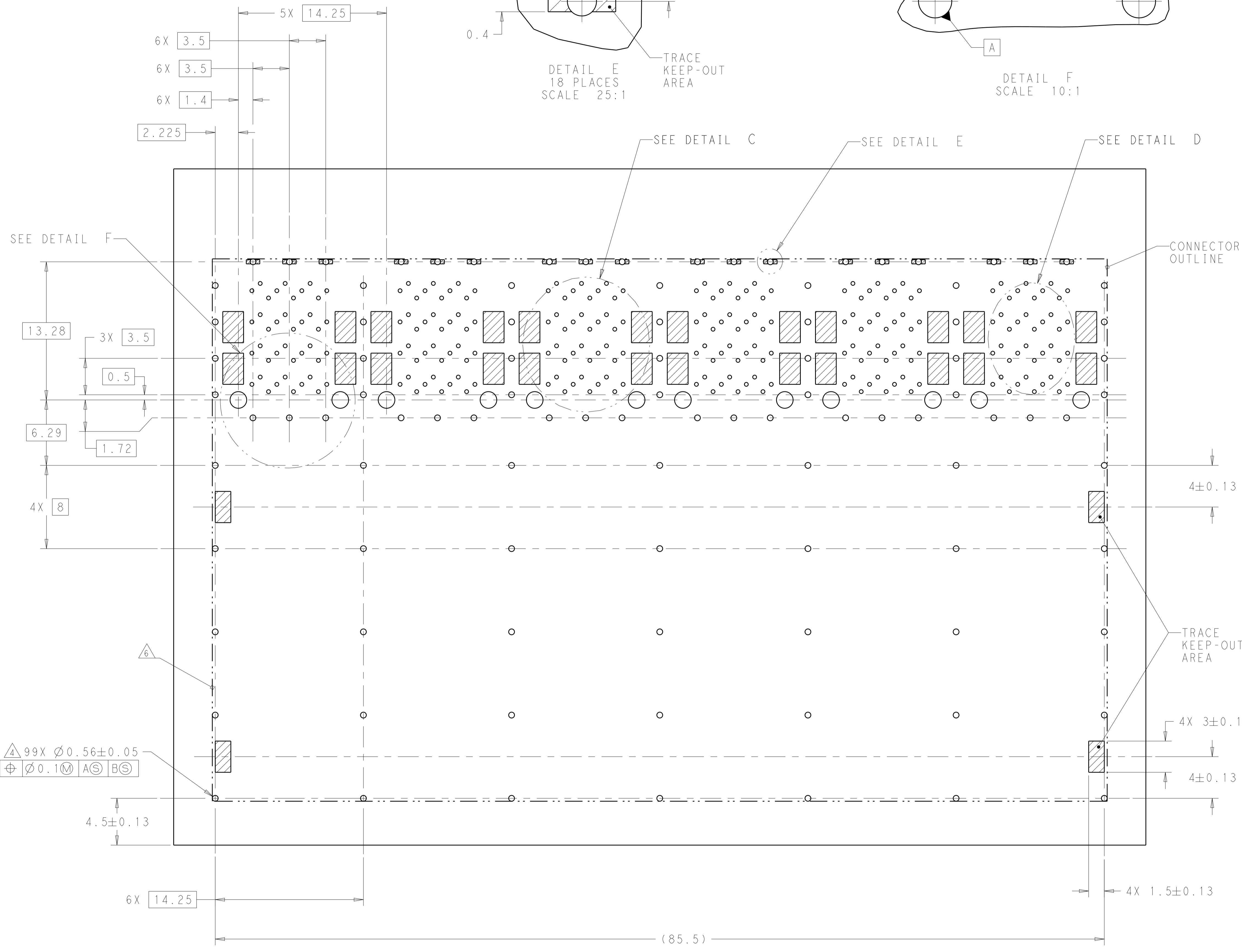
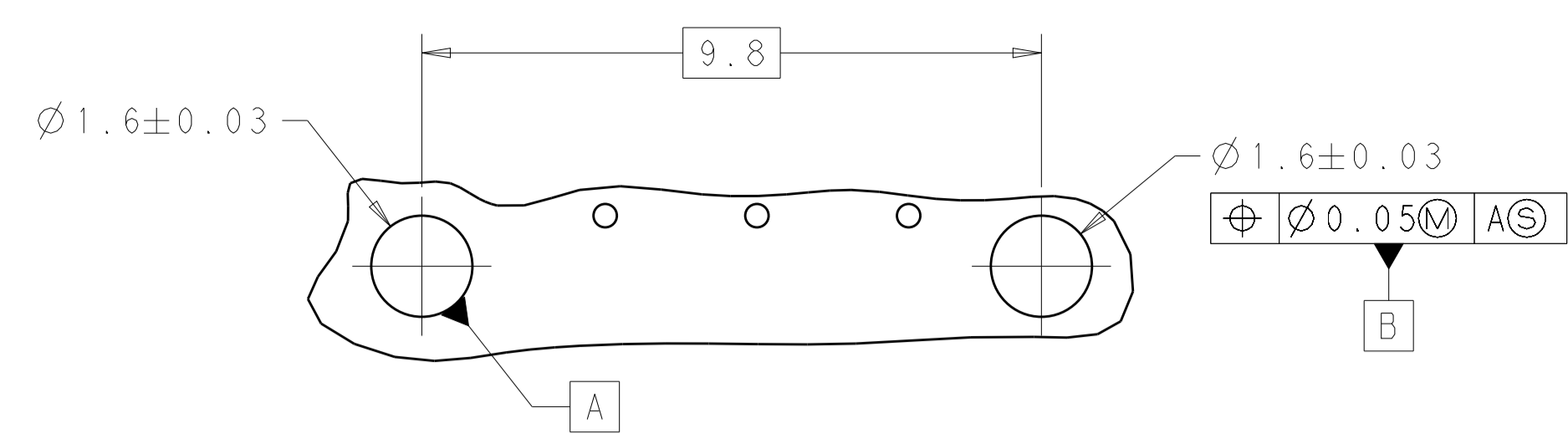
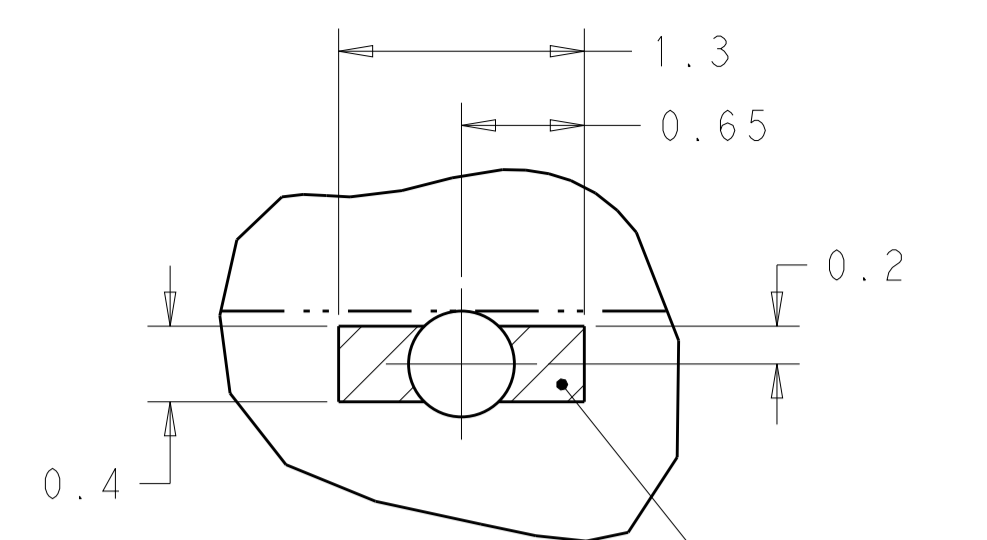


DETAIL B
 SCALE 10:1

DESIGN APPROVED THIS PRINT IS
PRELIMINARY
 TO FIRST PIECE APPROVAL
 CONTACT PRODUCT ENGINEERING
 BEFORE USING THIS PRINT

THIS DRAWING IS A CONTROLLED DOCUMENT.		DMN B. MATTHEWS 16MAR2015	TE Connectivity
DIMENSIONS: mm		CHK P. RECCE 16MAR2015	
TOLERANCES UNLESS OTHERWISE SPECIFIED:		APVD P. RECCE 16MAR2015	NAME RECEPTACLE ASSEMBLY, 2X6, STACKED, 2SFP+ THERMAL
0 PLC ± 1 PLC ± 2 PLC ± 3 PLC ± 4 PLC ± ANGLES ±		PRODUCT SPEC 108-2481	SIZE A1
MATERIAL SEE NOTES		APPLICATION SPEC 114-13319	CAGE CODE C=2291491
		WEIGHT	RESTRICTED TO
		Customer Drawing	SCALE 1:1 SHEET 2 OF 4 REV A

LOC	DIST	REVISIONS					
GP	00	P	LTN	DESCRIPTION	DATE	DWN	APVD
		-	-	SEE SHEET 1	-	-	-



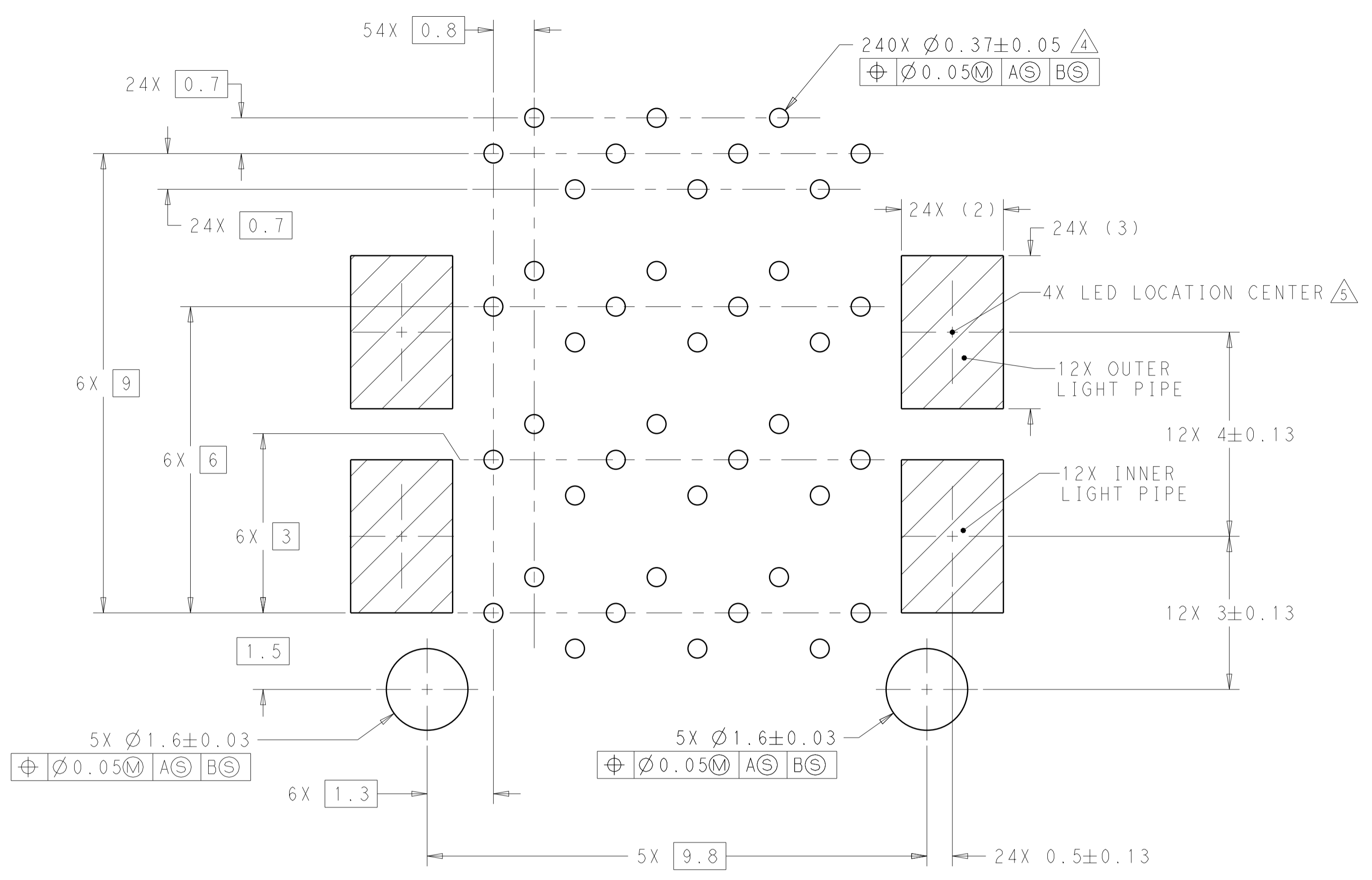
4 99X Ø0.56±0.05
 ⊕ Ø0.1M A S B S

RECOMMENDED PCB LAYOUT
 SCALE 5:1

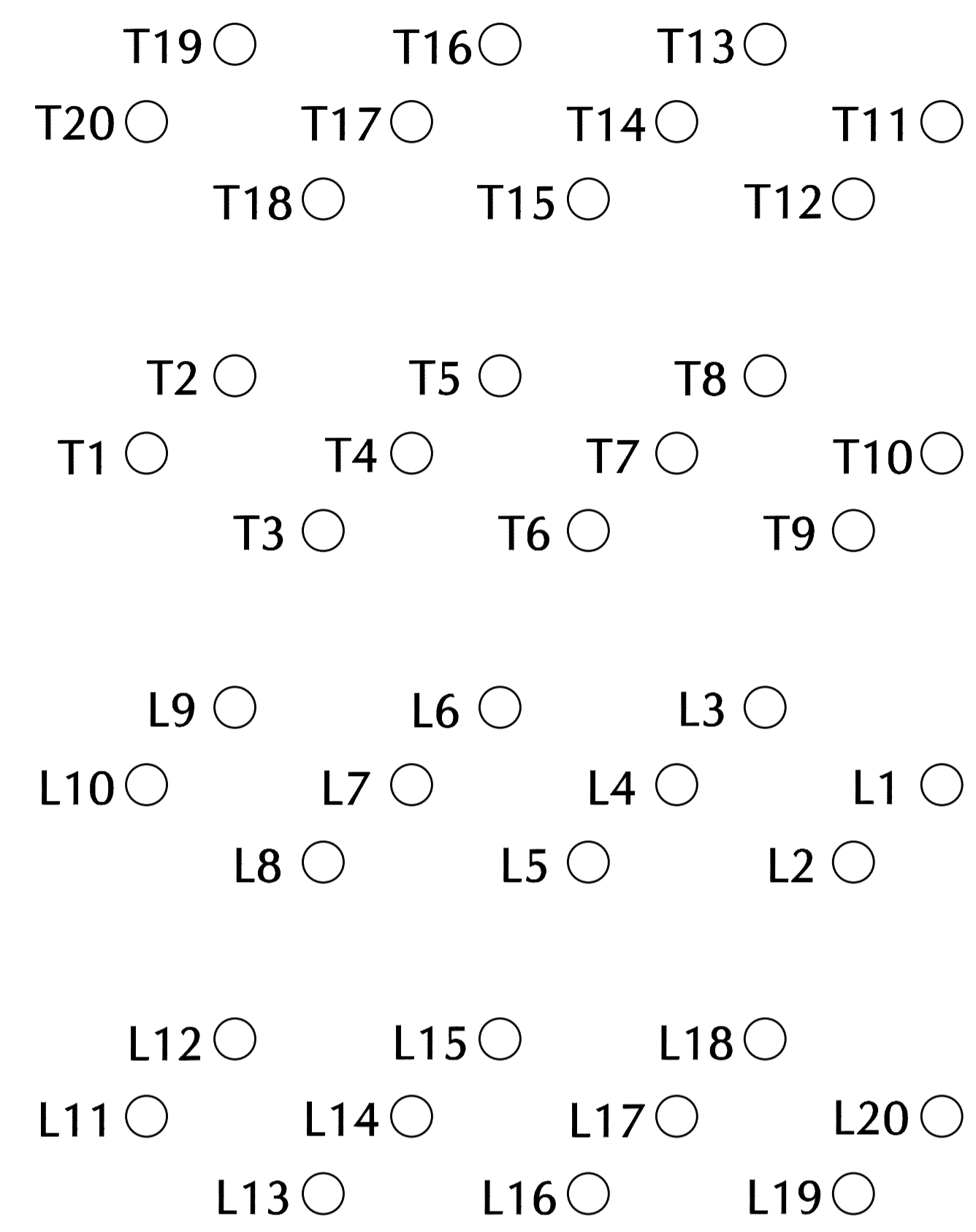
DESIGN APPROVED THIS PRINT IS
PRELIMINARY
 TO FIRST PIECE APPROVAL
 CONTACT PRODUCT ENGINEERING
 BEFORE USING THIS PRINT

THIS DRAWING IS A CONTROLLED DOCUMENT.		DWN B. MATTHEWS 16MAR2015	TE Connectivity
DIMENSIONS: mm		CHK P. RECCE 16MAR2015	
TOLERANCES UNLESS OTHERWISE SPECIFIED:		APVD P. RECCE 16MAR2015	NAME RECEPTACLE ASSEMBLY, 2X6, STACKED, 2SFP+ THERMAL
0 PLC ±		PRODUCT SPEC 108-2481	
1 PLC ±		APPLICATION SPEC 114-13319	SIZE CAGE CODE DRAWING NO. RESTRICTED TO A100779C=2291491
2 PLC ±		WEIGHT	
3 PLC ±		MATERIAL SEE NOTES	SCALE 1:1 SHEET 3 OF 4 REV A
4 PLC ±		FINISH SEE NOTES	
ANGLES ±		Customer Drawing	

LOC	DIST	REV	DESCRIPTION	DATE	OWN	APVD
GP	00		SEE SHEET 1			

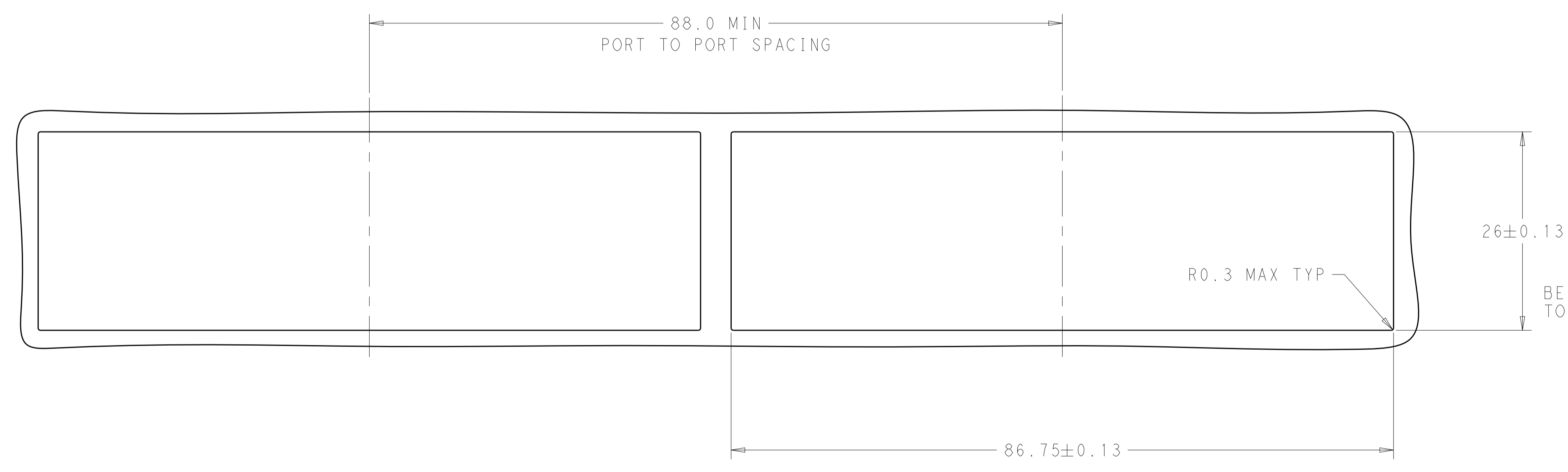


DETAIL C
 RECOMMENDED PIN AND LIGHT PIPE LAYOUT
 SCALE 15:1

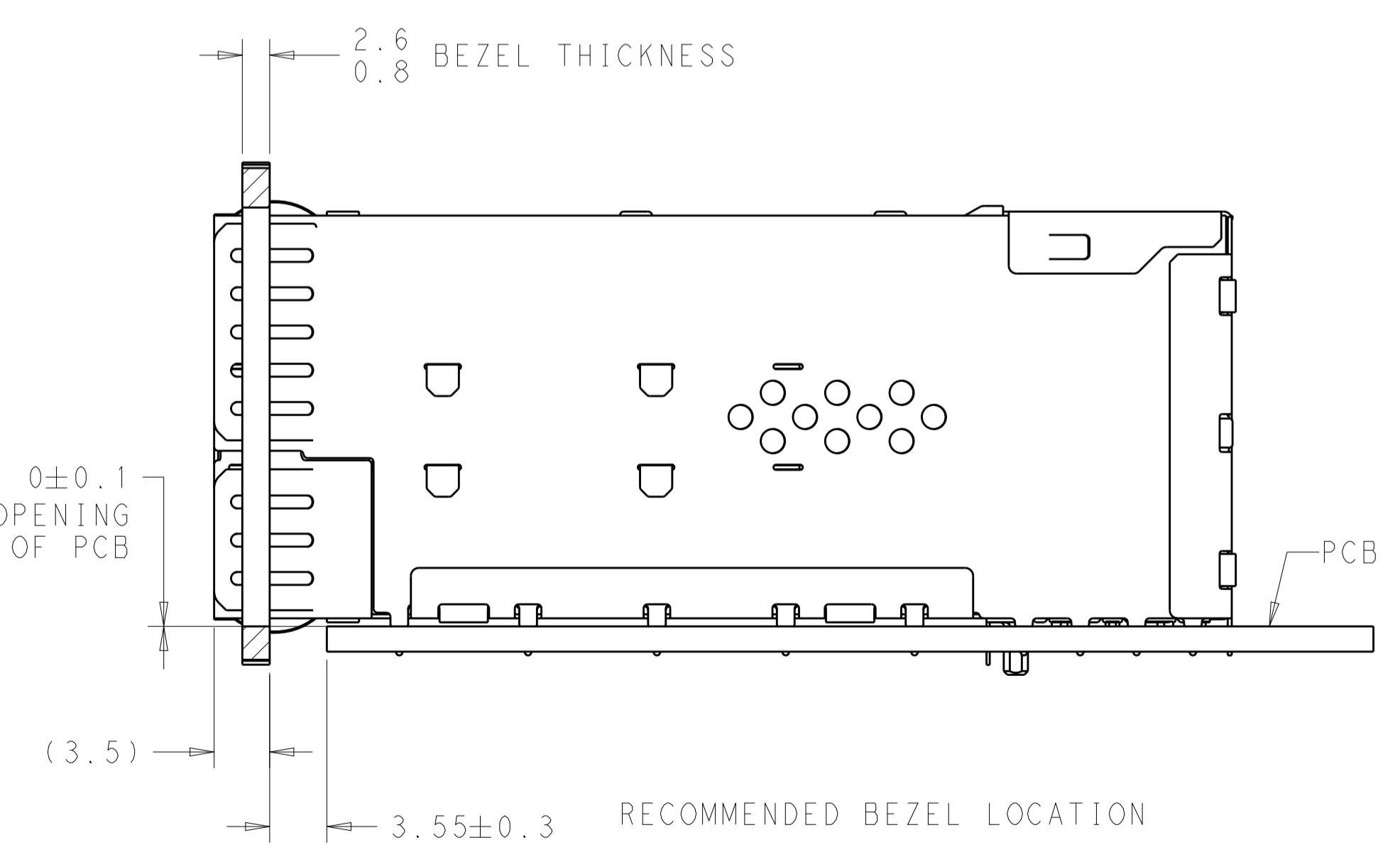


PIN MAP LEGEND	
PIN NUMBER	FUNCTION
L1/T1	VEET
L2/T2	TX-FAULT
L3/T3	TX-DISABLE
L4/T4	SDA
L5/T5	SCL
L6/T6	MOD_ABS
L7/T7	RSO
L8/T8	RX_LOS
L9/T9	RS1
L10/T10	VEER
L11/T11	VEER
L12/T12	RD-
L13/T13	RD+
L14/T14	VEER
L15/T15	VCCR
L16/T16	VCCT
L17/T17	VEET
L18/T18	TD+
L19/T19	TD-
L20/T20	VEET

DETAIL D
 PIN MAP
 6 PLACES
 SCALE 20:1



RECOMMENDED BEZEL CUT-OUT DETAIL
 SCALE 5:2



DESIGN APPROVED THIS PRINT IS
PRELIMINARY
 TO FIRST PIECE APPROVAL
 CONTACT PRODUCT ENGINEERING
 BEFORE USING THIS PRINT

THIS DRAWING IS A CONTROLLED DOCUMENT.		OWN: B. MATTHEWS 16MAR2015	TE Connectivity
DIMENSIONS: mm		CHK: P. RECCE 16MAR2015	
TOLERANCES UNLESS OTHERWISE SPECIFIED:		APVD: P. RECCE 16MAR2015	NAME: RECEPTACLE ASSEMBLY, 2X6, STACKED, 2SFP+ THERMAL
0 PLC ±		PRODUCT SPEC: 108-2481	
1 PLC ±		APPLICATION SPEC: 114-13319	SIZE: A100779 C=2291491
2 PLC ±		WEIGHT: -	
3 PLC ±		FINISH: -	SCALE: 1:1 SHEET 4 OF 4 REV A
4 PLC ±		MATERIAL: SEE NOTES	
ANGLES ±		Customer Drawing	