



Chipsmall Limited consists of a professional team with an average of over 10 year of expertise in the distribution of electronic components. Based in Hongkong, we have already established firm and mutual-benefit business relationships with customers from,Europe,America and south Asia,supplying obsolete and hard-to-find components to meet their specific needs.

With the principle of “Quality Parts,Customers Priority,Honest Operation,and Considerate Service”,our business mainly focus on the distribution of electronic components. Line cards we deal with include Microchip,ALPS,ROHM,Xilinx,Pulse,ON,Everlight and Freescale. Main products comprise IC,Modules,Potentiometer,IC Socket,Relay,Connector.Our parts cover such applications as commercial,industrial, and automotives areas.

We are looking forward to setting up business relationship with you and hope to provide you with the best service and solution. Let us make a better world for our industry!



Contact us

Tel: +86-755-8981 8866 Fax: +86-755-8427 6832

Email & Skype: info@chipsmall.com Web: www.chipsmall.com

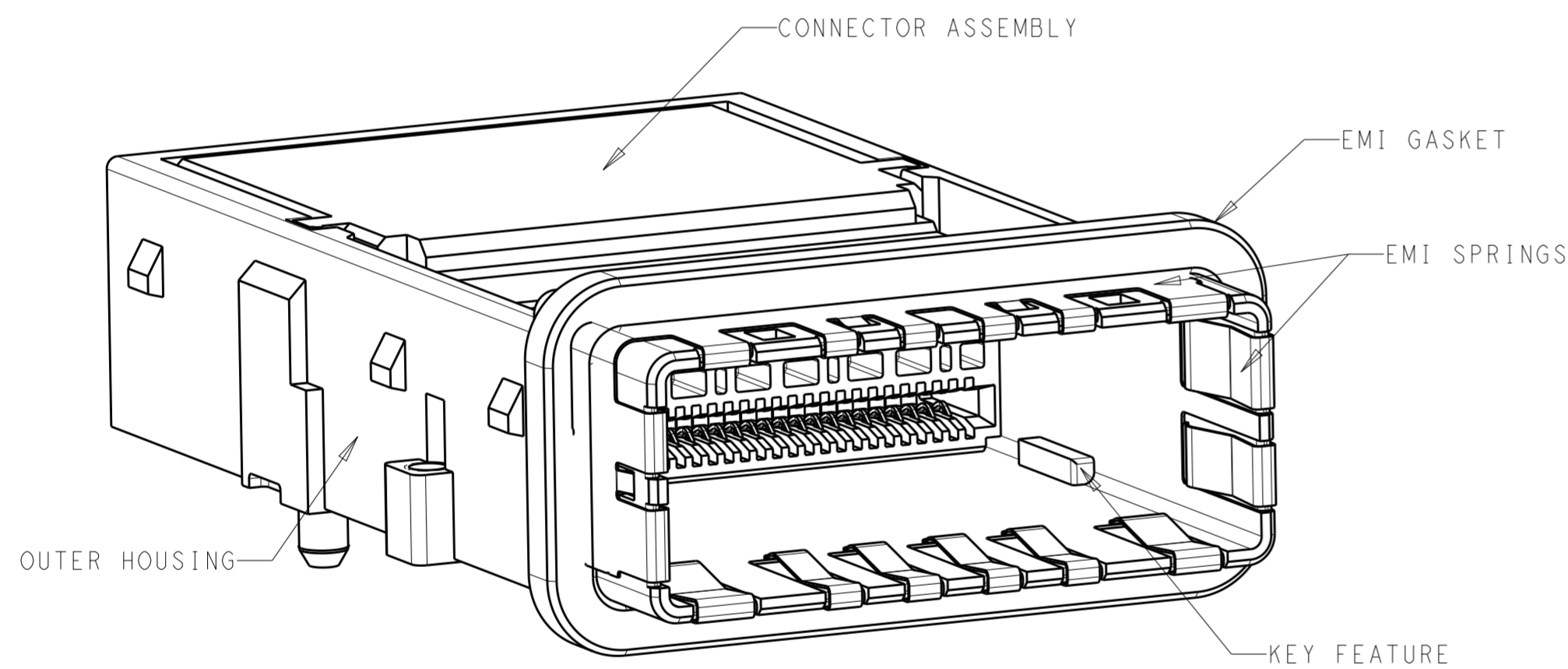
Address: A1208, Overseas Decoration Building, #122 Zhenhua RD., Futian, Shenzhen, China



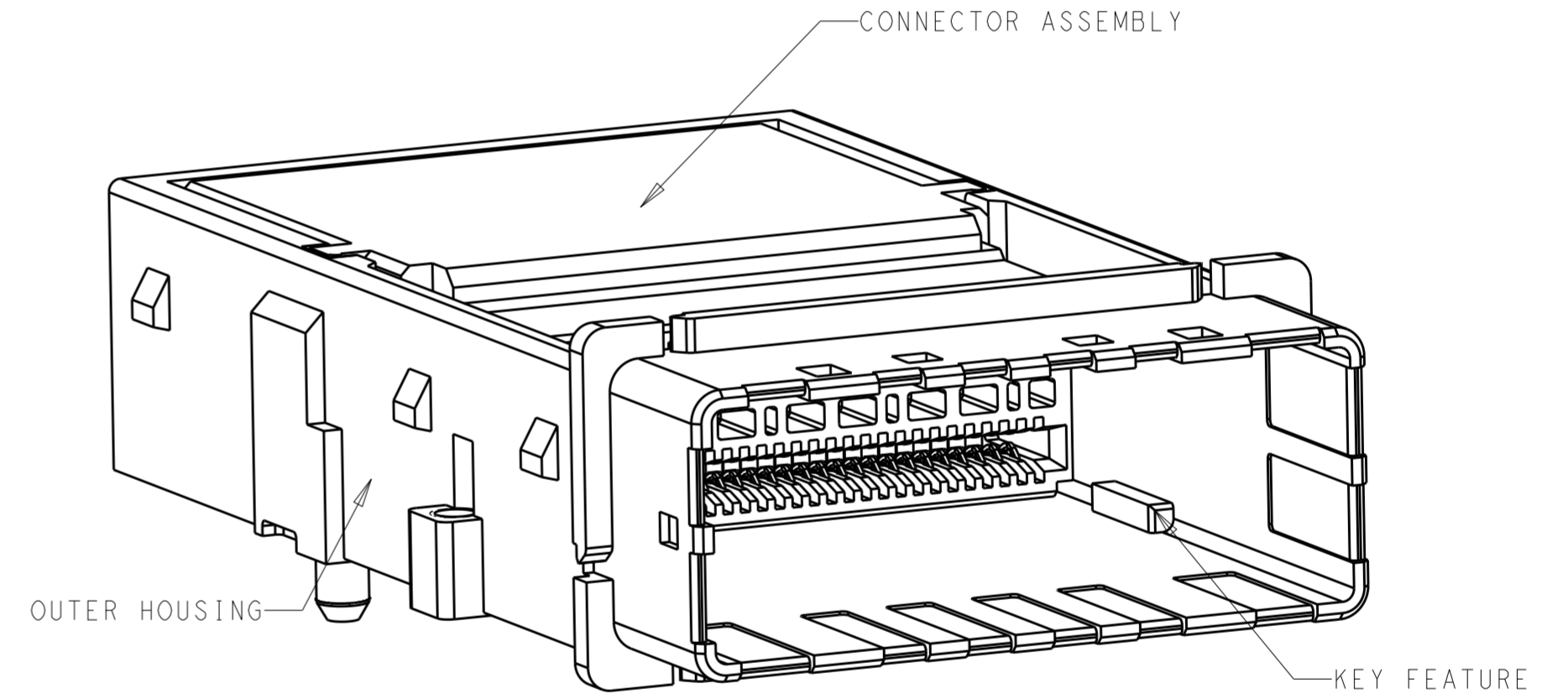
THIS DRAWING IS UNPUBLISHED. RELEASED FOR PUBLICATION 20
 © COPYRIGHT 20 BY - ALL RIGHTS RESERVED.

REVISIONS				
P	LTR	DESCRIPTION	DATE	APVD
A		INITIAL RELEASE	14APR2016	JY SH
B		REVISED PER ECO-18-012594	07AUG2018	JY SH

- MATERIALS:**
 OUTER HOUSING - NICKEL PLATED ZINC ALLOY PER ASTM B 240.
 CONNECTOR HOUSINGS - LCP, UL 94V-0 RATED.
 CHICKLETS - LCP, UL 94V-0 RATED.
 CONTACTS - PHOSPHOR BRONZE.
 EMI SPRINGS - COPPER ALLOY.
 EMI GASKET - CONDUCTIVE ELASTOMER.
- CONTACT FINISH:**
 CONFORMS TO THE REQUIREMENTS OF TYCO ELECTRONICS PRODUCT SPECIFICATION 108-32065, BASED ON EIA/ECA-364-1000.01A, (CONTROLLED ENVIRONMENT APPLICATIONS) ON MATING INTERFACES. MATTE TIN ON COMPLIANT PINS.
- PCB THICKNESS 1.57 MINIMUM.**
- △ 4 FOR HOLE SIZE AND PLATINGS, SEE APPLICATION SPEC 114-32114.**
- △ 5 CROSS HATCHED AREA INDICATES REQUIRED CONDUCTIVE AREA ON SURFACE OF PCB. NO COMPONENTS OR TOP SIDE SURFACE TRACES ALLOWED IN THIS AREA.**
- MOUNTING HARDWARE REQUIRED:**
 3X M2X0.4 - SCREW LENGTH = PCB THICKNESS + (2 TO 4).
- △ 7 CUSTOMIZED PACKAGE SPEC:**
 PLACE CONNECTOR PIN FIELD DOWN IN PACKAGE.



2291931-1 SHOWN WITH EMI SPRING AND GASKET SCALE 4:1



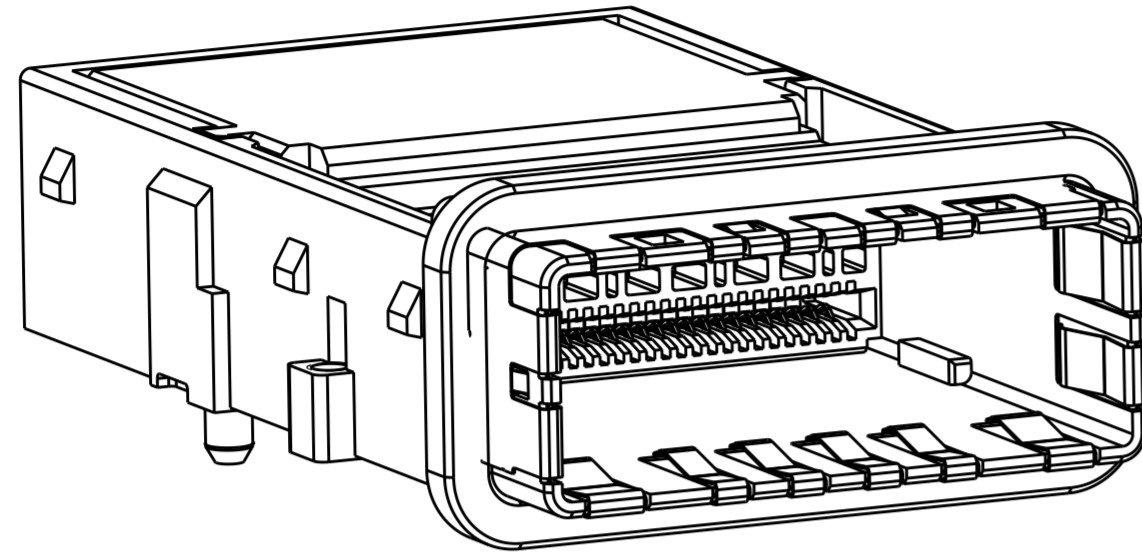
2291931-2, -3 AS SHOWN W/O EMISPRING AND GASKET SCALE 4:1

△ 7	W/O EMI SPRING AND GASKET	2291931-3
	W/O EMI SPRING AND GASKET	2291931-2
	W EMI SPRING AND GASKET	2291931-1
	DESCRIPTION	PART NUMBER

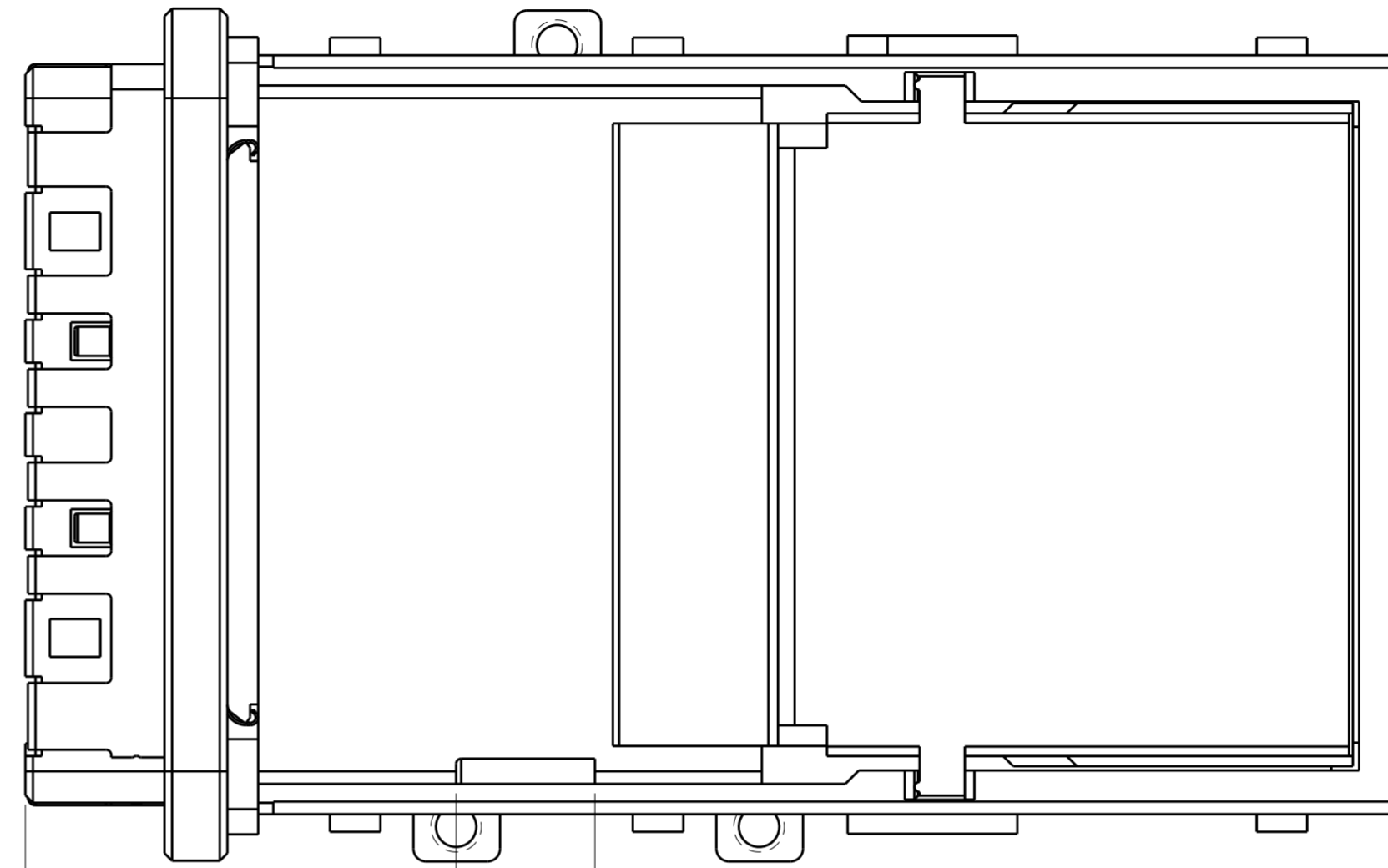
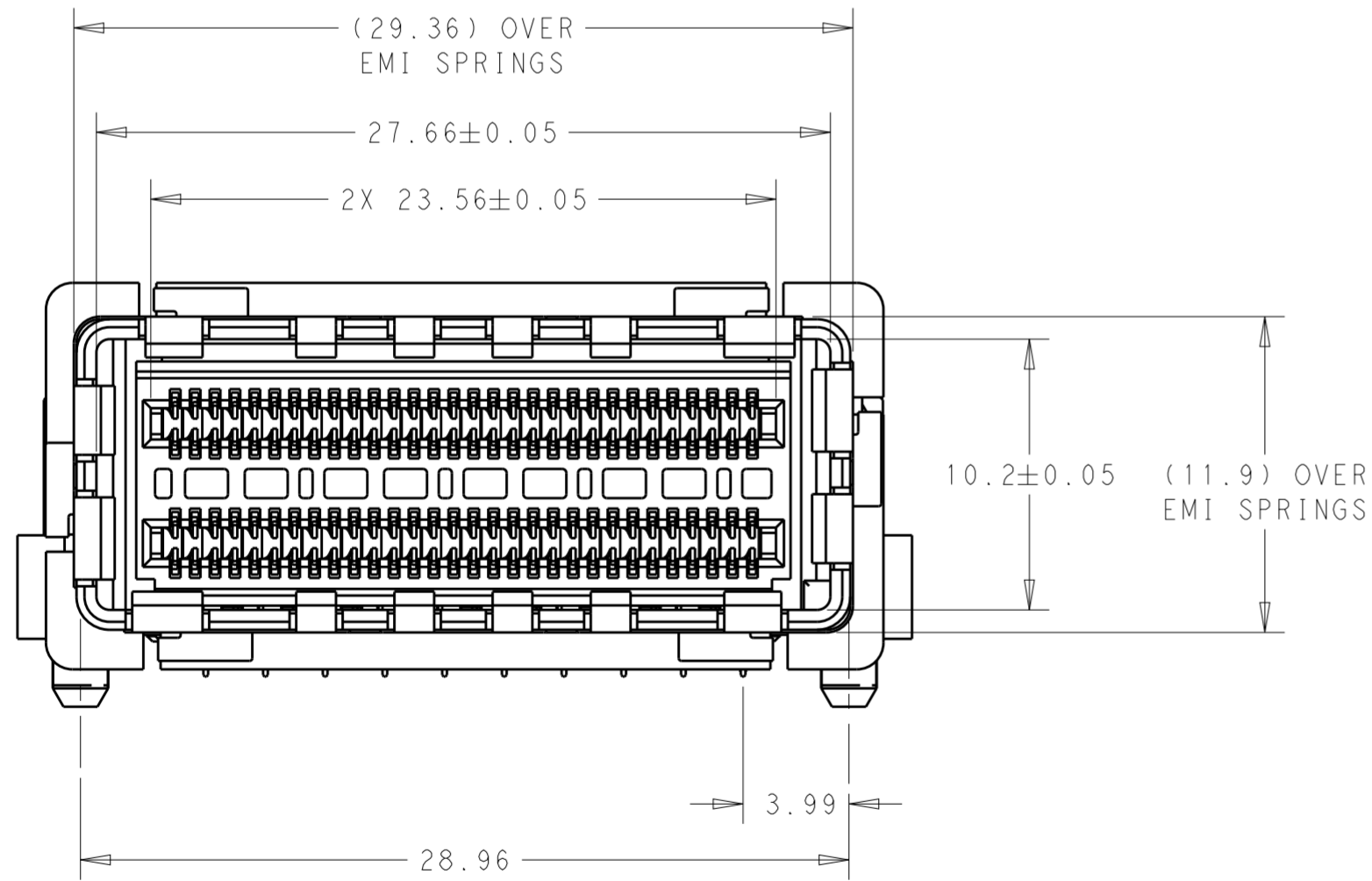
THIS DRAWING IS A CONTROLLED DOCUMENT.		DWN 30MAR2015 JASON YANG	STE TE Connectivity	
DIMENSIONS: mm		CHK 30MAR2015 SEAN HAN		
TOLERANCES UNLESS OTHERWISE SPECIFIED:		APVD 30MAR2015 SEAN HAN	NAME RECEPTACLE, STYLE 1, CDFP	
0 PLC ±0.25		PRODUCT SPEC 108-32065	SIZE A2	
1 PLC ±0.25		APPLICATION SPEC 114-32114	CAGE CODE -	
2 PLC ±0.20		WEIGHT -	DRAWING NO. C-2291931	
3 PLC ±0.15		CUSTOMER DRAWING	RESTRICTED TO -	
4 PLC ±			SCALE 4:1 SHEET 1 OF 5 REV B	
ANGLES ±				
FINISH -				

THIS DRAWING IS UNPUBLISHED. RELEASED FOR PUBLICATION 20
 © COPYRIGHT 20 BY - ALL RIGHTS RESERVED.

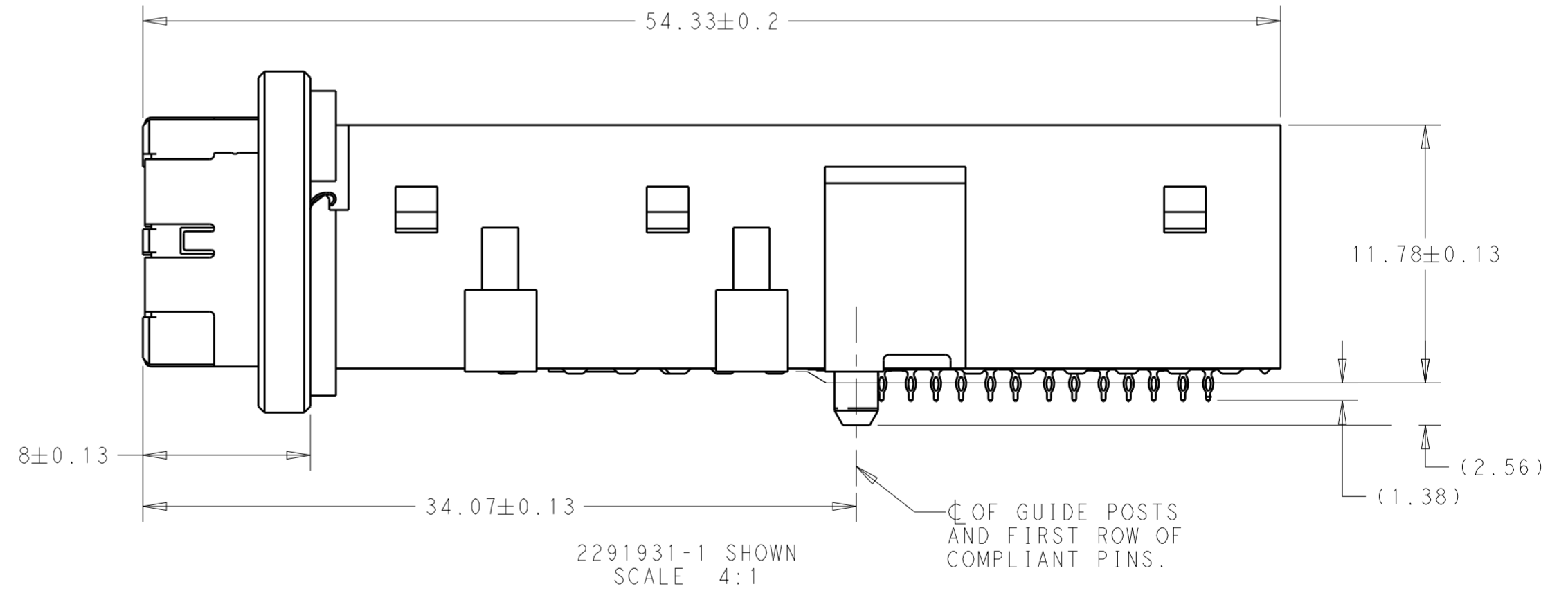
REVISIONS				
P	LTR	DESCRIPTION	DATE	APVD
-		SEE SHEET 1	-	-



2291931-1 SHOWN
SCALE 3:1



17.06 ± 0.13 KEY LOCATION
5.5 ± 0.1 KEY LENGTH



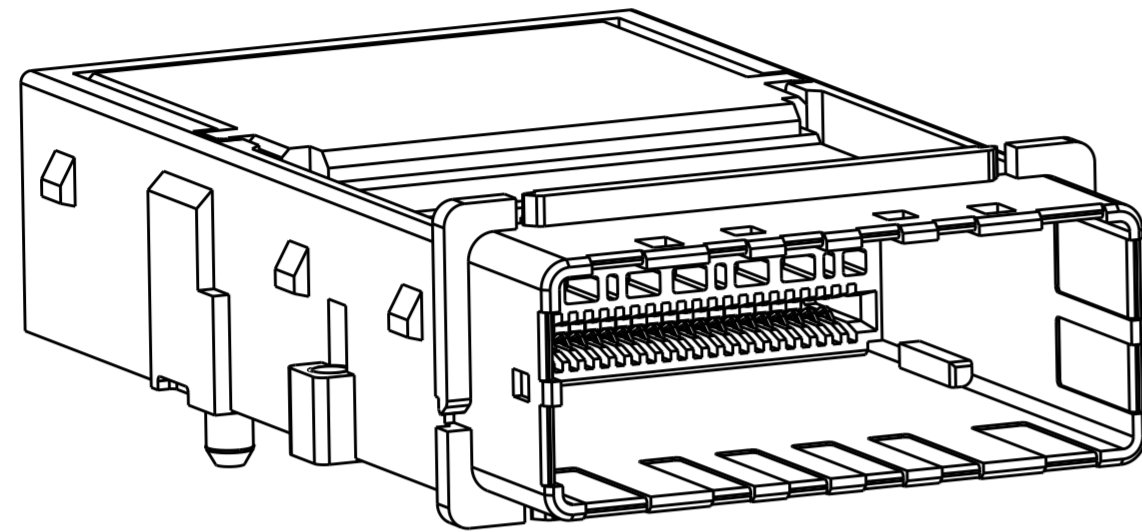
2291931-1 SHOWN
SCALE 4:1

CL OF GUIDE POSTS
AND FIRST ROW OF
COMPLIANT PINS.

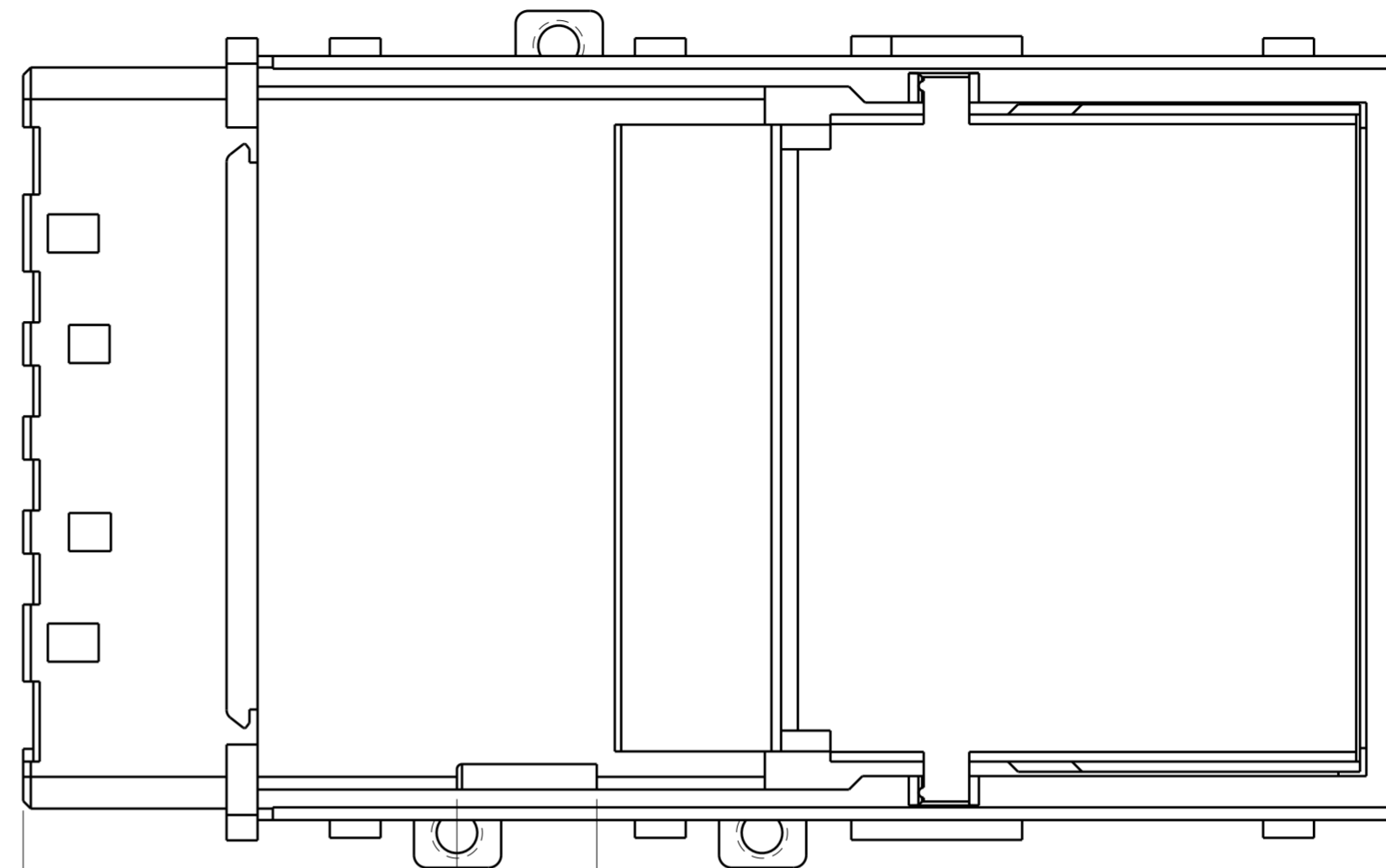
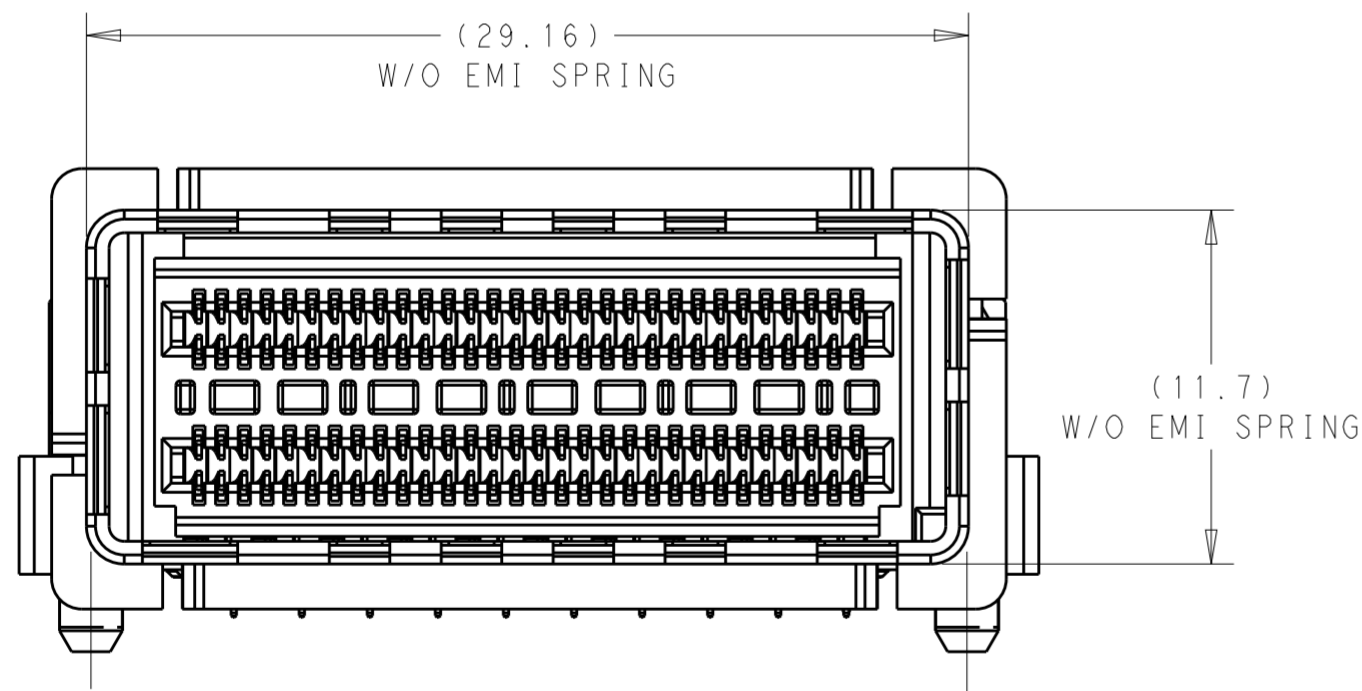
THIS DRAWING IS A CONTROLLED DOCUMENT.		DWN JASON YANG 30MAR2015	TE Connectivity	
DIMENSIONS:		CHK SEAN HAN 30MAR2015		
mm	TOLERANCES UNLESS OTHERWISE SPECIFIED:	APVD SEAN HAN 30MAR2015	NAME RECEPTACLE, STYLE 1, CDFP	
0 PLC ±0.25	1 PLC ±0.25	PRODUCT SPEC 108-32065	SIZE A2	CAGE CODE -
2 PLC ±0.20	3 PLC ±0.15	APPLICATION SPEC 114-32114	DRAWING NO G-2291931	RESTRICTED TO -
4 PLC ±	ANGLES ±	WEIGHT -	SCALE 4:1	SHEET 2 OF 5
MATERIAL -	FINISH -	CUSTOMER DRAWING	REV B	

THIS DRAWING IS UNPUBLISHED. RELEASED FOR PUBLICATION 20
 © COPYRIGHT 20 BY - ALL RIGHTS RESERVED.

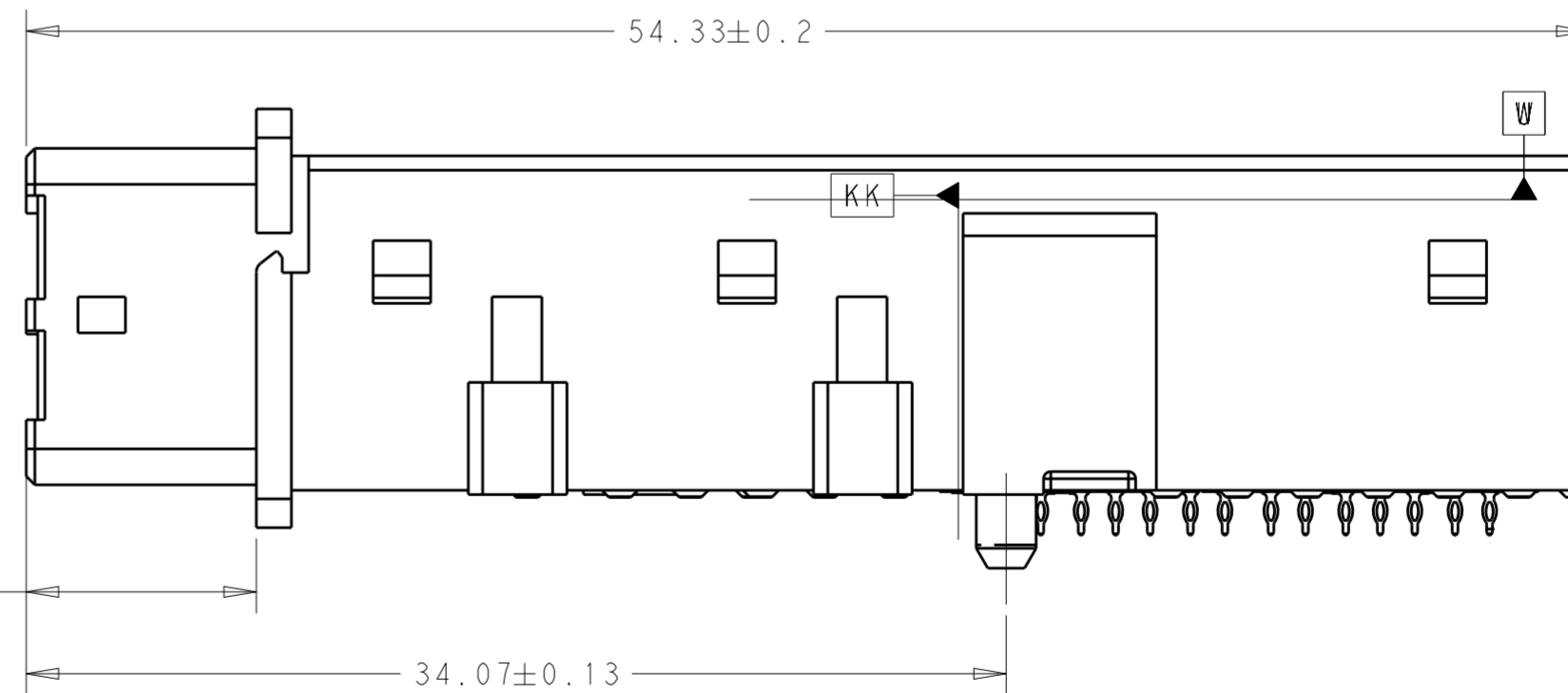
REVISIONS				
P	LTR	DESCRIPTION	DATE	APVD
-		SEE SHEET 1	-	-




2291931-2, -3 SHOWN
 UNSPECIFIED DIMENSIONS ARE SAME AS 2291931-1
 SCALE 3:1



17.06±0.13 KEY LOCATION
 5.5±0.1 KEY LENGTH

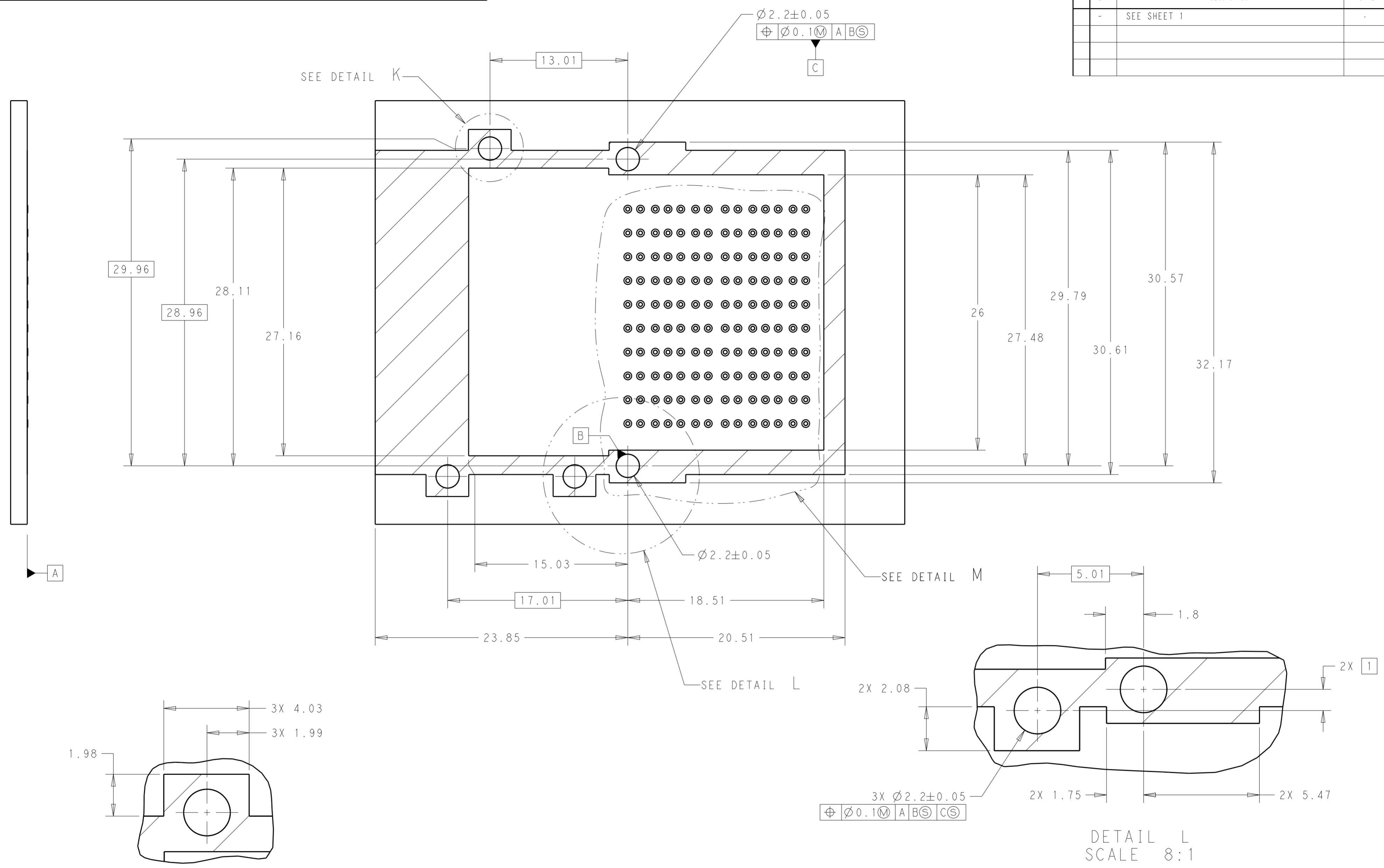


8±0.13
 34.07±0.13
 SCALE 4:1

THIS DRAWING IS A CONTROLLED DOCUMENT.		DWN 30MAR2015 JASON YANG	 TE Connectivity	
DIMENSIONS:		CHK 30MAR2015 SEAN HAN		
mm	TOLERANCES UNLESS OTHERWISE SPECIFIED:	APVD 30MAR2015 SEAN HAN	NAME RECEPTACLE, STYLE 1, CDFP	
	0 PLC ±0.25	PRODUCT SPEC	SIZE A2	
	1 PLC ±0.25	APPLICATION SPEC	CAGE CODE -	DRAWING NO. C-2291931
	2 PLC ±0.20	114-32114	RESTRICTED TO -	
	3 PLC ±0.15	WEIGHT -	SCALE 4:1	SHEET 3 OF 5
	4 PLC ±	CUSTOMER DRAWING	REV B	
MATERIAL	ANGLES ±			
	FINISH -			

THIS DRAWING IS UNPUBLISHED. RELEASED FOR PUBLICATION 20
 © COPYRIGHT 20 BY - ALL RIGHTS RESERVED.

REVISIONS				
P	LTR	DESCRIPTION	DATE	APVD
-	-	SEE SHEET 1	-	-



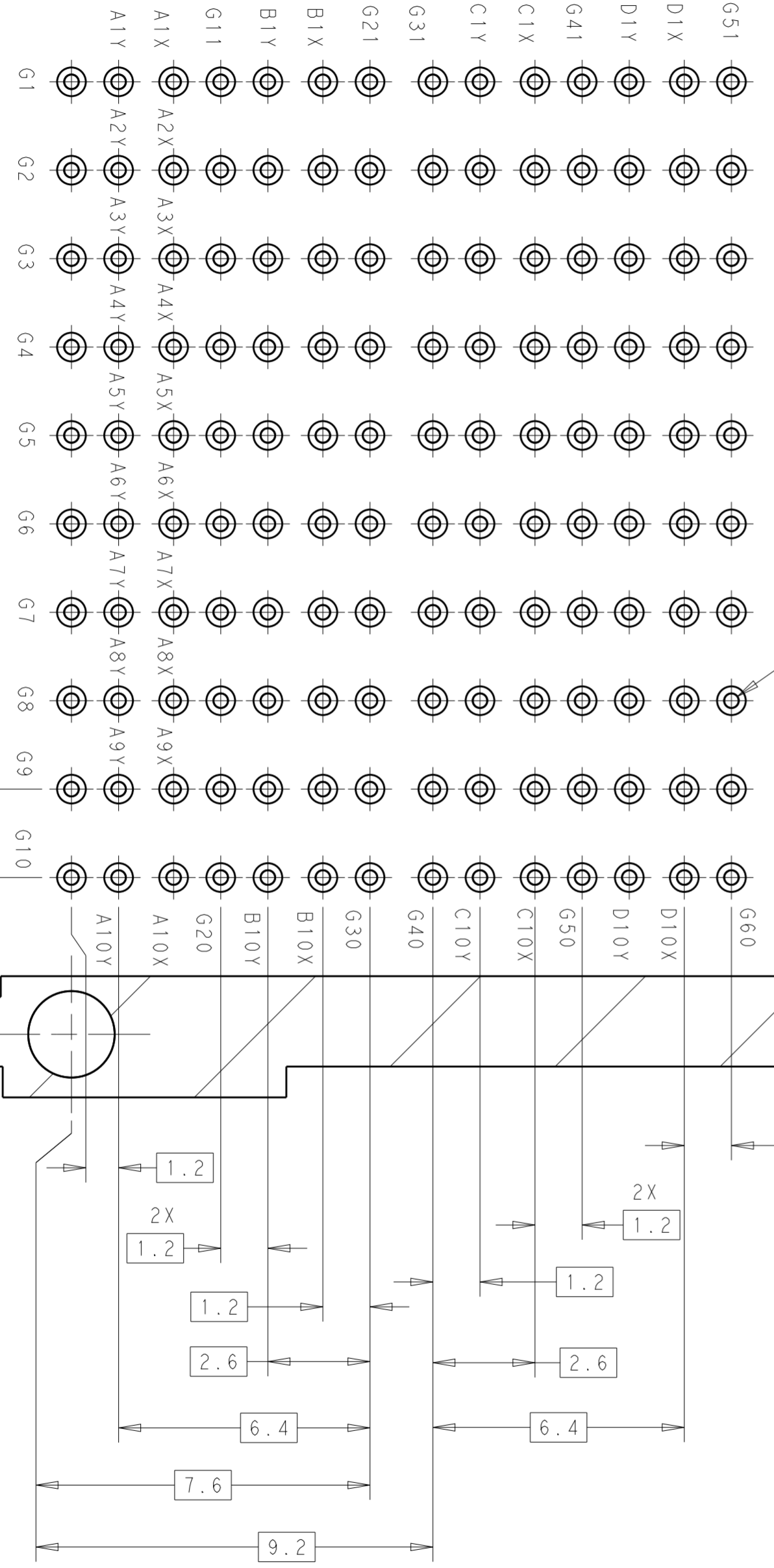
DETAIL K
SCALE 8:1

DETAIL L
SCALE 8:1

THIS DRAWING IS A CONTROLLED DOCUMENT.		DWN JASON YANG 30MAR2015	TE Connectivity	
		CHK SEAN HAN 30MAR2015		
		APVD SEAN HAN 30MAR2015	NAME RECEPTACLE, STYLE 1, CDFP	
DIMENSIONS:		PRODUCT SPEC		
mm		108-32065		
		APPLICATION SPEC		
		114-32114		
MATERIAL		WEIGHT		
-		-		
-		-		
		CUSTOMER DRAWING		RESTRICTED TO
		SCALE	SHEET	REV
		4:1	4 OF 5	B

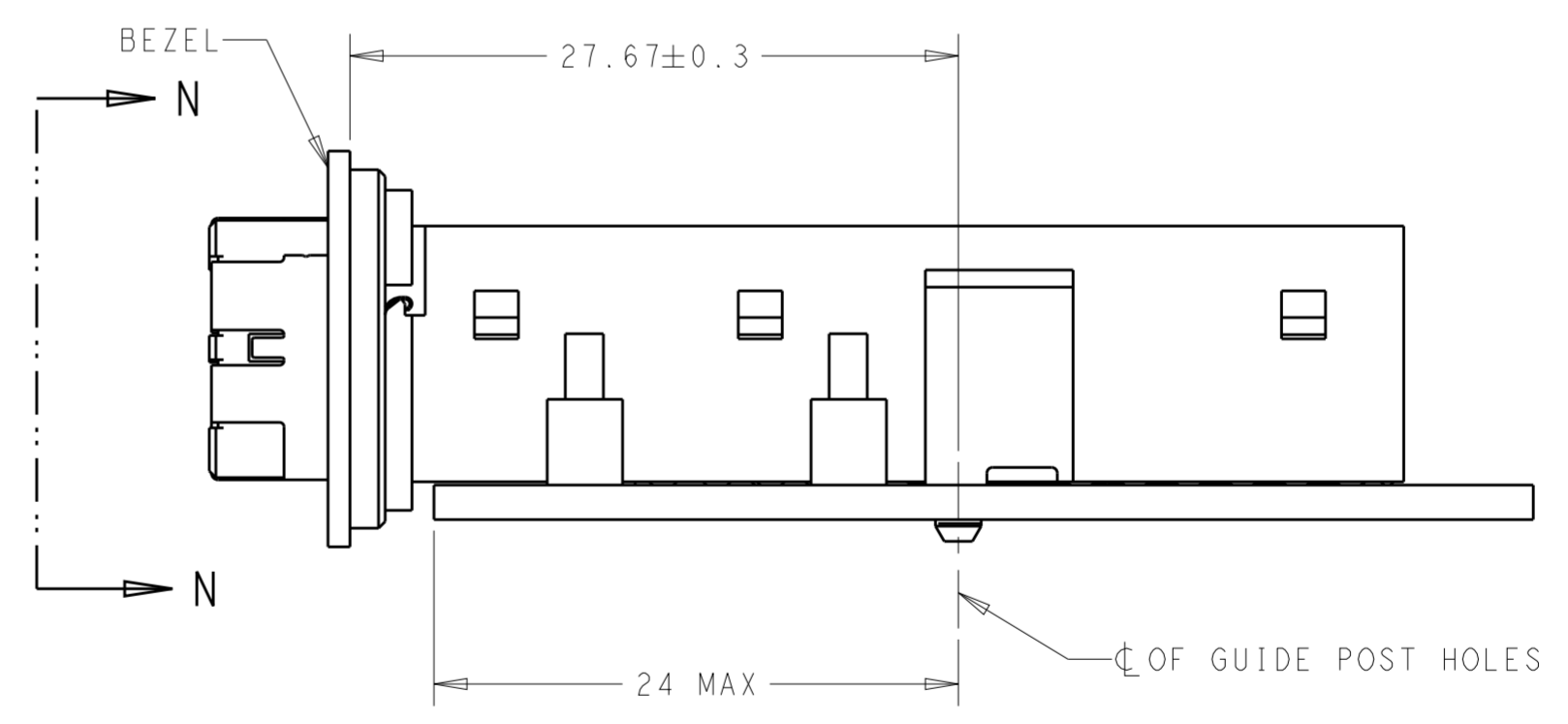
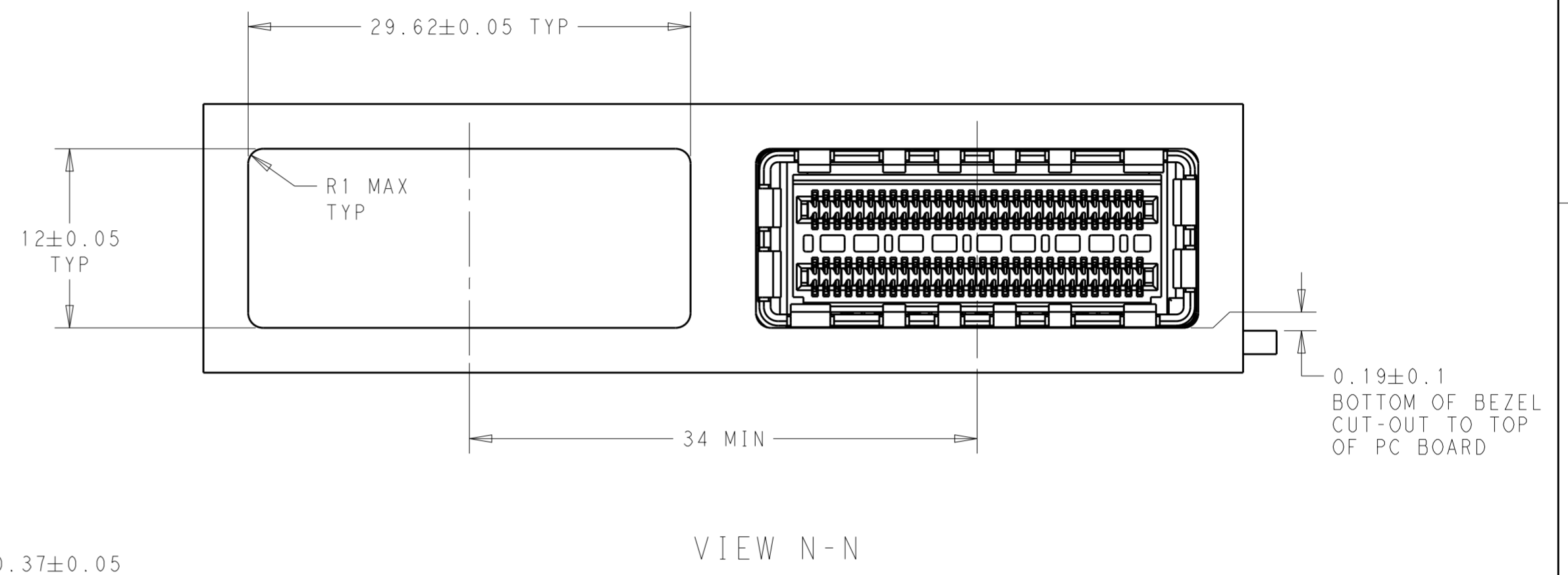
THIS DRAWING IS UNPUBLISHED. RELEASED FOR PUBLICATION 20
 © COPYRIGHT 20 BY - ALL RIGHTS RESERVED.

REVISIONS					
P	LTR	DESCRIPTION	DATE	DWN	APVD
-	-	SEE SHEET 1	-	-	-



140X Ø0.37±0.05
 ⊕ Ø0.1M A B C

DETAIL M
 SCALE 8:1



SCALE 3:1

THIS DRAWING IS A CONTROLLED DOCUMENT.		DWN JASON YANG 30MAR2015	TE Connectivity	
DIMENSIONS: mm		CHK SEAN HAN 30MAR2015		
TOLERANCES UNLESS OTHERWISE SPECIFIED:		APVD SEAN HAN 30MAR2015	NAME RECEPTACLE, STYLE 1, CDFP	
0 PLC ±0.25	1 PLC ±0.25	PRODUCT SPEC 108-32065	SIZE A2	CAGE CODE -
2 PLC ±0.20	3 PLC ±0.15	APPLICATION SPEC 114-32114	DRAWING NO C-2291931	RESTRICTED TO -
4 PLC ±	ANGLES ±	WEIGHT -	SCALE 4:1	SHEET 5 OF 5
MATERIAL -	FINISH -	CUSTOMER DRAWING	REV B	