



Chipsmall Limited consists of a professional team with an average of over 10 year of expertise in the distribution of electronic components. Based in Hongkong, we have already established firm and mutual-benefit business relationships with customers from,Europe,America and south Asia,supplying obsolete and hard-to-find components to meet their specific needs.

With the principle of “Quality Parts,Customers Priority,Honest Operation,and Considerate Service”,our business mainly focus on the distribution of electronic components. Line cards we deal with include Microchip,ALPS,ROHM,Xilinx,Pulse,ON,Everlight and Freescale. Main products comprise IC,Modules,Potentiometer,IC Socket,Relay,Connector.Our parts cover such applications as commercial,industrial, and automotives areas.

We are looking forward to setting up business relationship with you and hope to provide you with the best service and solution. Let us make a better world for our industry!



Contact us

Tel: +86-755-8981 8866 Fax: +86-755-8427 6832

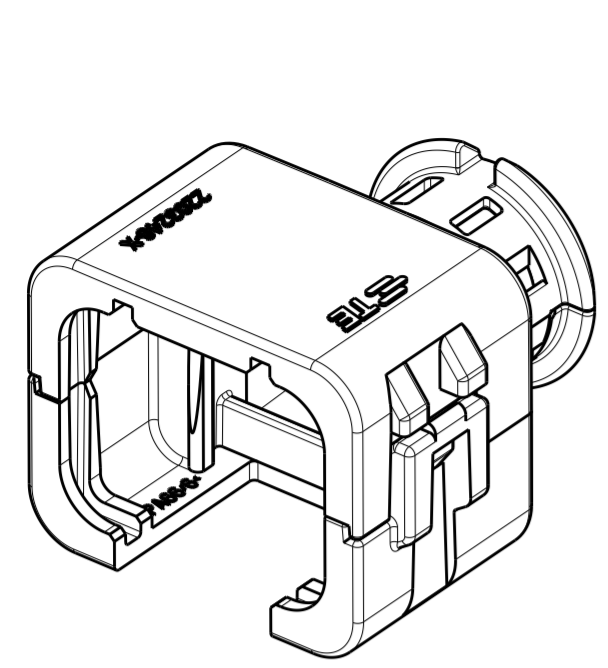
Email & Skype: info@chipsmall.com Web: www.chipsmall.com

Address: A1208, Overseas Decoration Building, #122 Zhenhua RD., Futian, Shenzhen, China

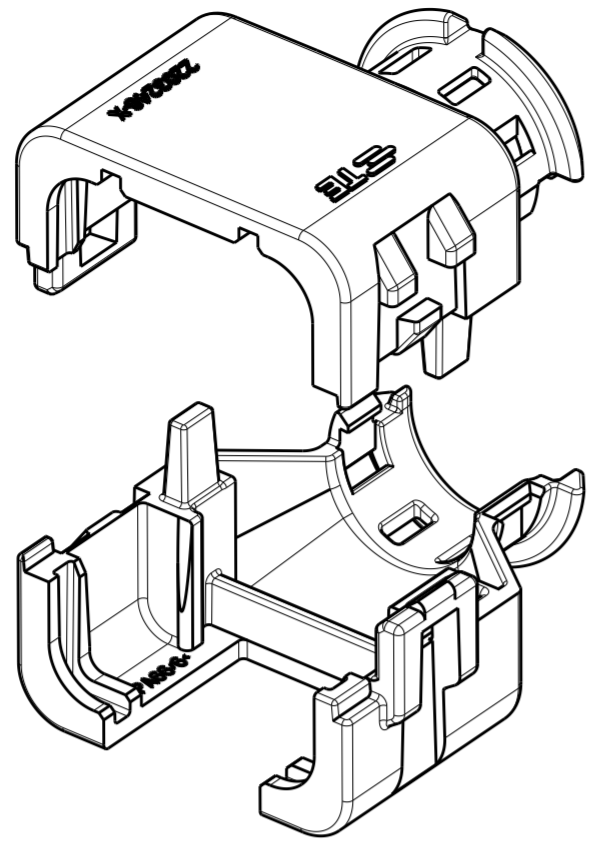


THIS DRAWING IS UNPUBLISHED. RELEASED FOR PUBLICATION 20
 © COPYRIGHT 20 BY - ALL RIGHTS RESERVED.

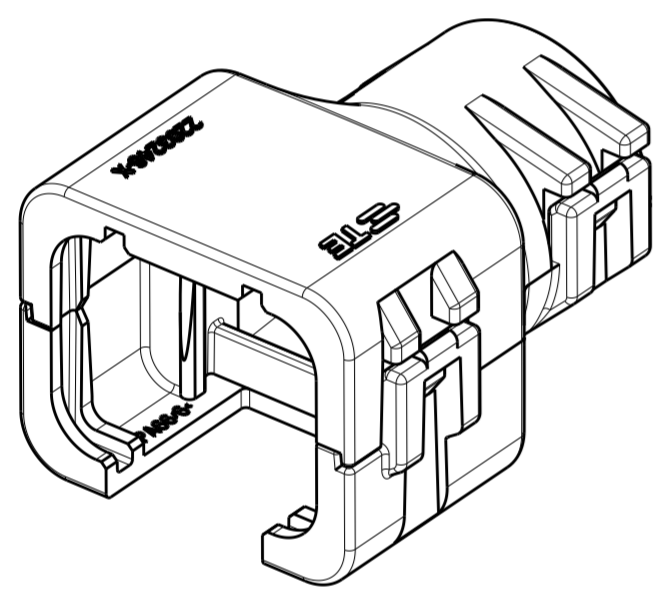
REVISIONS				
P	LTR	DESCRIPTION	DATE	APVD
A		RELEASED PER ECO-15-010501	17JUL2015	JM RB
A1		REV PER ECO-16-008350	02JUN2016	JM RB
A2		REV PER ECO-16-013256	08SEP2016	JM RB



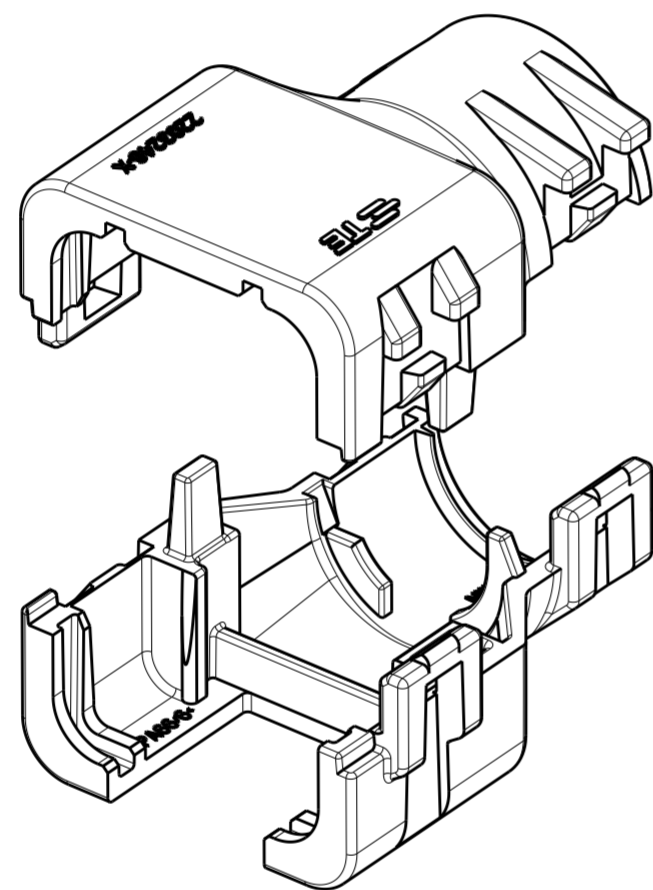
2292800-1
ASSEMBLED ISOMETRIC VIEW SHOWN



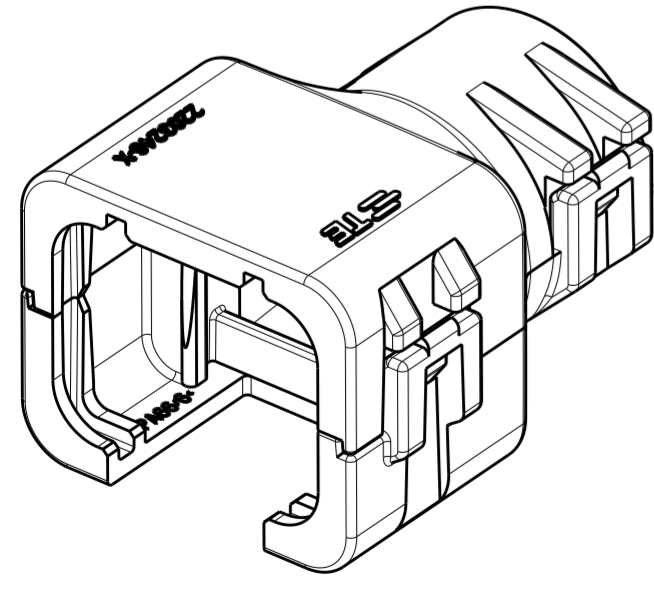
2292800-1
EXPLODED ISOMETRIC VIEW SHOWN



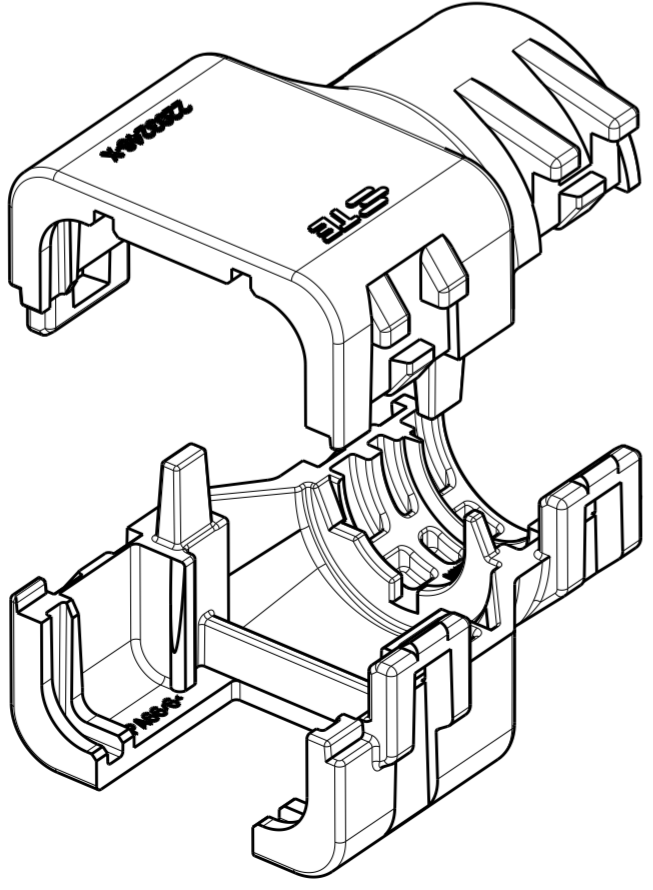
2292800-2
ASSEMBLED ISOMETRIC VIEW SHOWN



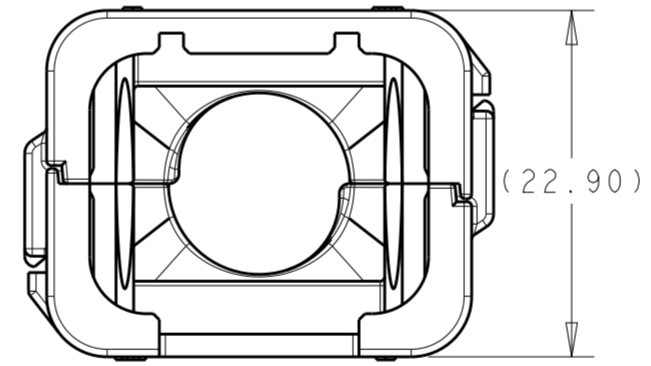
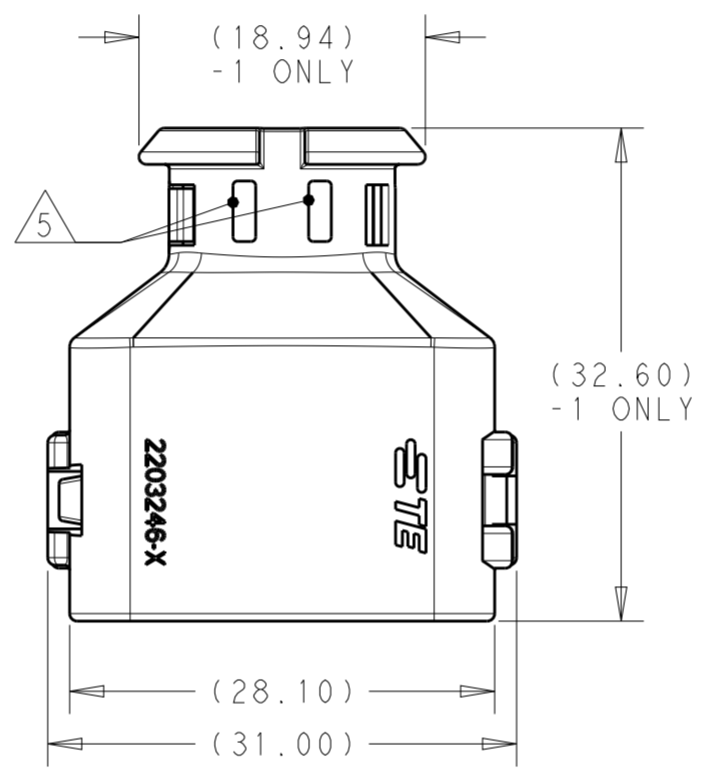
2292800-2
EXPLODED ISOMETRIC VIEW SHOWN



2292800-3
ASSEMBLED ISOMETRIC VIEW SHOWN

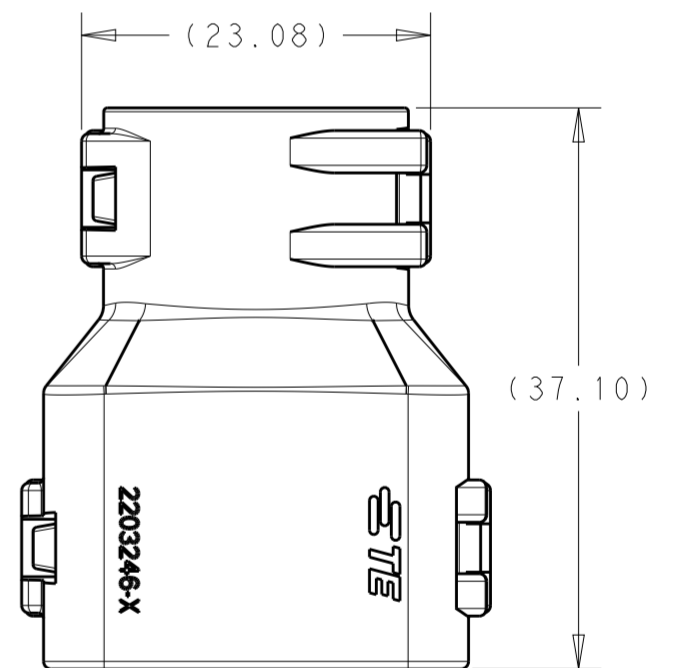
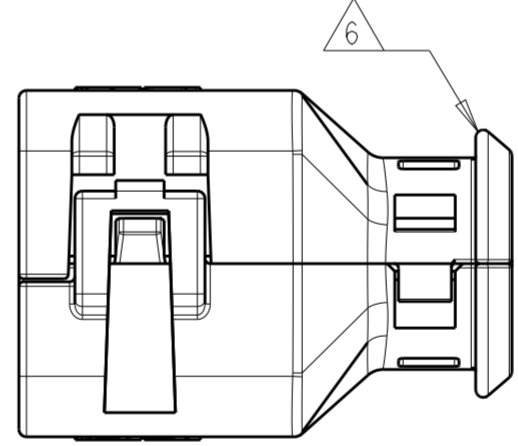


2292800-3
EXPLODED ISOMETRIC VIEW SHOWN



2292800-1
ASSEMBLED VIEW SHOWN

DIMENSIONS SHOWN TYPICAL FOR ALL PART NUMBERS EXCEPT AS NOTED



2292800-2
ASSEMBLED VIEW SHOWN

DIMENSIONS SHOWN TYPICAL FOR -2 AND -3 ONLY



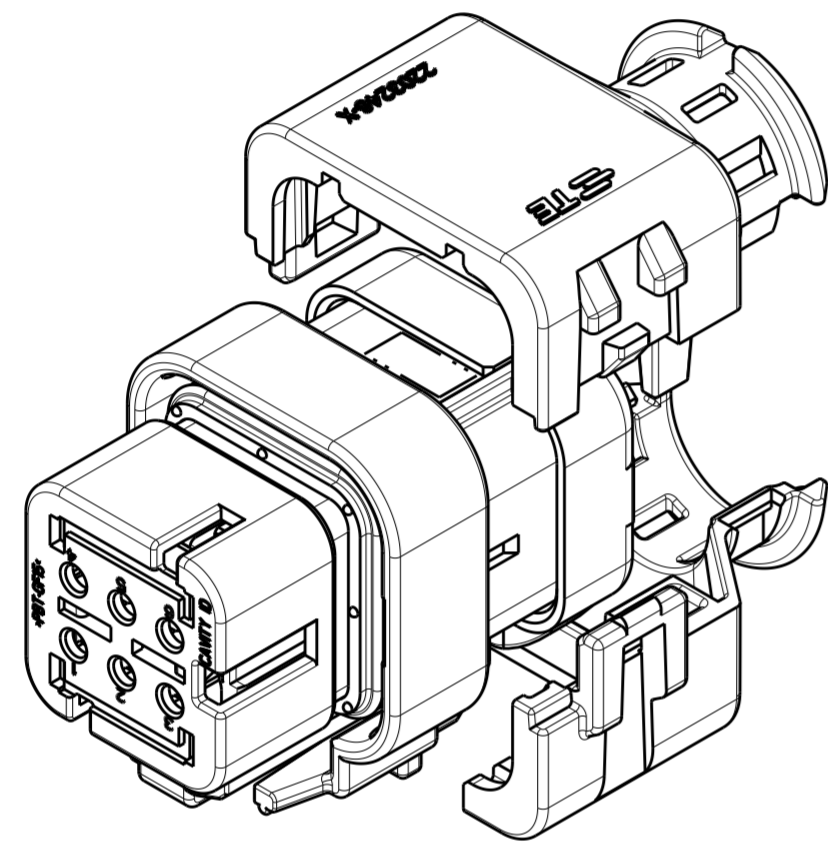
- 1 MATERIAL: NYLON MOLDING COMPOUND, BLACK, PA66/6.
- 2 BACKSHELL DESIGNED SUCH THAT TWO HALVES ATTACH TO ONE ANOTHER AND CLAMP AROUND THE CONNECTOR COVER.
- 3 DIMENSIONS TO BE MEASURED WHEN BACKSHELLS ASSEMBLED.
- 4 PRODUCT WEIGHTS:
 2292800-1: 5.00g ASSEMBLED
 2292800-2: 6.37g ASSEMBLED
 2292800-3: 6.95g ASSEMBLED
- 5 4mm WIDE SLOTS FOR TIE WRAP TO SECURE HARNESS WIRES (-1 ONLY).
- 6 HEAT SHRINK TUBING RETENTION FEATURE (-1 ONLY).
- 7. INSTRUCTION SHEET: 408-151043.
- 8. CONDUIT PROFILE: NORMAL ONLY

776433-X	NC12	NW10	2292800-3
776531-X	NC16	NW13	2292800-2
	SMOOTH	SMOOTH	2292800-1
FITS ON PLUG ASSY	CORREGATE NC	CORREGATE NW	PART NUMBER
	CONDUIT SIZE		

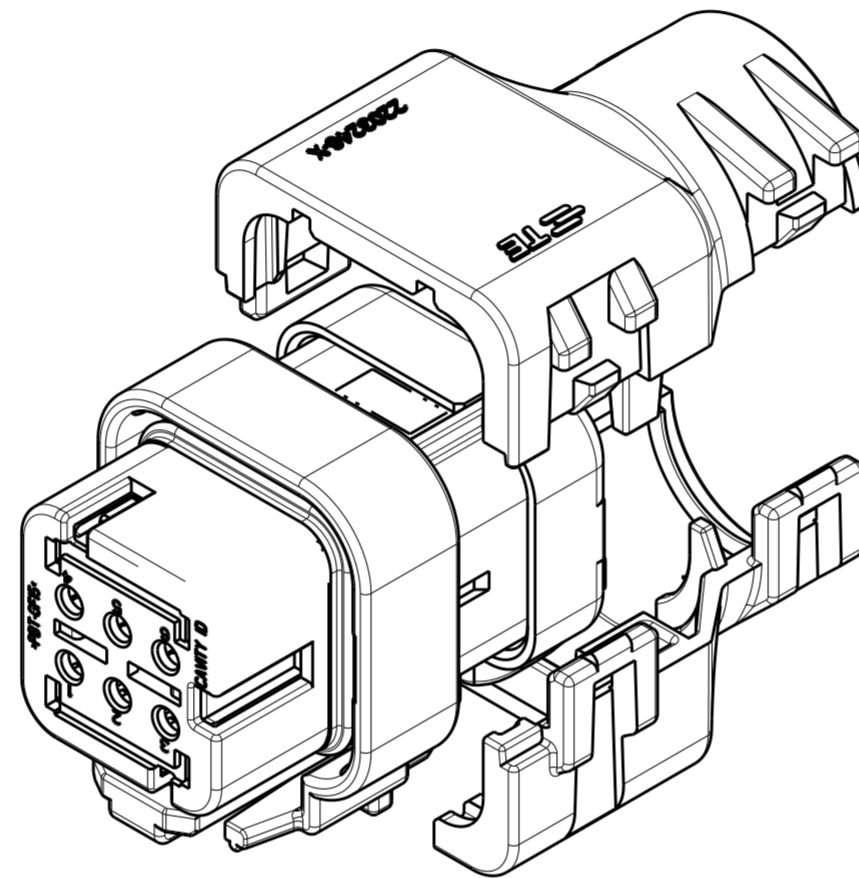
THIS DRAWING IS A CONTROLLED DOCUMENT.		DWN J MCNEAL 07MAY2015	STE TE Connectivity	
DIMENSIONS: mm [INCHES]		CHK R BALTER 07MAY2015		
TOLERANCES UNLESS OTHERWISE SPECIFIED:		APVD R BALTER 07MAY2015	NAME BACKSHELL KIT, 6 POSITION PLUG ASSY, AMPSEAL 16	
0 PLC ±	1 PLC ±	PRODUCT SPEC 108-151043	SIZE	RESTRICTED TO
2 PLC ±	3 PLC ±	APPLICATION SPEC -	CAGE CODE	
4 PLC ±	ANGLES ±	WEIGHT -4	DRAWING NO	
FINISH -		CUSTOMER DRAWING	A200779	
		SCALE 2:1	C-2292800	
		SHEET 1 OF 2	REV A2	

THIS DRAWING IS UNPUBLISHED. RELEASED FOR PUBLICATION 20
 © COPYRIGHT 20 BY - ALL RIGHTS RESERVED.

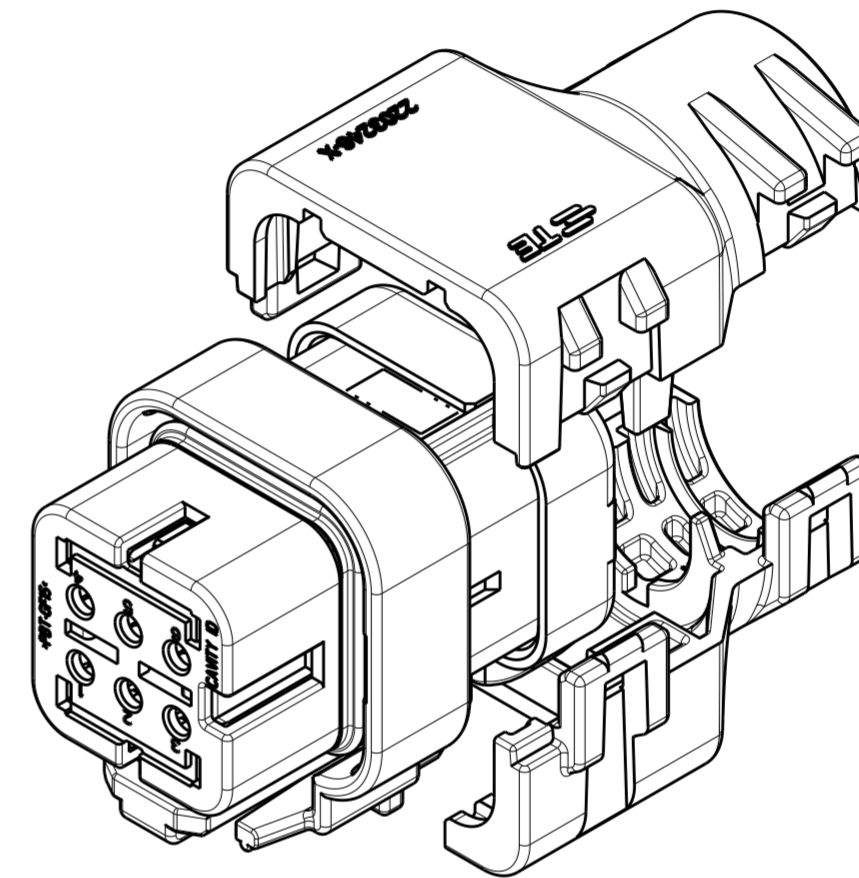
REVISIONS				
P	LTR	DESCRIPTION	DATE	APVD
-		SEE SHEET 1	-	-



2292800-1
WITH PLUG ASSEMBLY
EXPLODED ISOMETRIC VIEW SHOWN


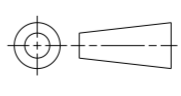


2292800-2
WITH PLUG ASSEMBLY
EXPLODED ISOMETRIC VIEW SHOWN



2292800-3
WITH PLUG ASSEMBLY
EXPLODED ISOMETRIC VIEW SHOWN



THIS DRAWING IS A CONTROLLED DOCUMENT.		DWN J. MCNEAL 07MAY2015	 TE Connectivity	
DIMENSIONS: mm [INCHES]		CHK R. BALTER 07MAY2015		
		APVD R. BALTER 07MAY2015	NAME BACKSHELL KIT, 6 POSITION PLUG ASSY, AMPSEAL 16	
TOLERANCES UNLESS OTHERWISE SPECIFIED:		PRODUCT SPEC 108-151043	RESTRICTED TO	
0 PLC ±		APPLICATION SPEC	SIZE	CAGE CODE
1 PLC ±		WEIGHT	A200779	C-2292800
2 PLC ±		CUSTOMER DRAWING	SCALE	SHEET
3 PLC ±			2:1	2 OF 2
4 PLC ±				REV A2
ANGLES ±				
FINISH				