



Chipsmall Limited consists of a professional team with an average of over 10 year of expertise in the distribution of electronic components. Based in Hongkong, we have already established firm and mutual-benefit business relationships with customers from,Europe,America and south Asia,supplying obsolete and hard-to-find components to meet their specific needs.

With the principle of “Quality Parts,Customers Priority,Honest Operation,and Considerate Service”,our business mainly focus on the distribution of electronic components. Line cards we deal with include Microchip,ALPS,ROHM,Xilinx,Pulse,ON,Everlight and Freescale. Main products comprise IC,Modules,Potentiometer,IC Socket,Relay,Connector.Our parts cover such applications as commercial,industrial, and automotives areas.

We are looking forward to setting up business relationship with you and hope to provide you with the best service and solution. Let us make a better world for our industry!



Contact us

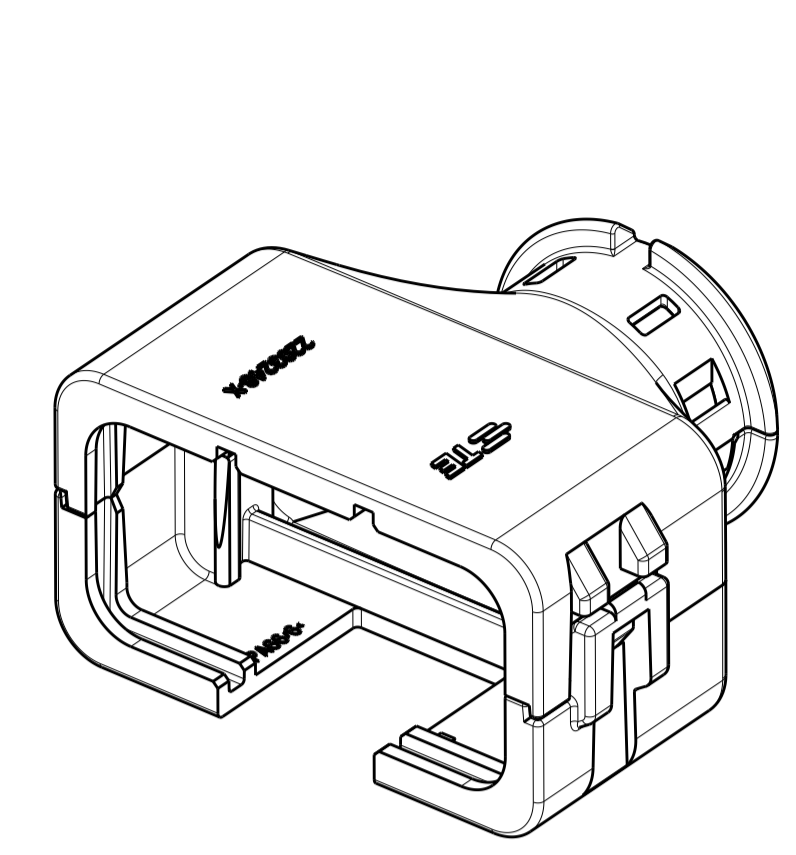
Tel: +86-755-8981 8866 Fax: +86-755-8427 6832

Email & Skype: info@chipsmall.com Web: www.chipsmall.com

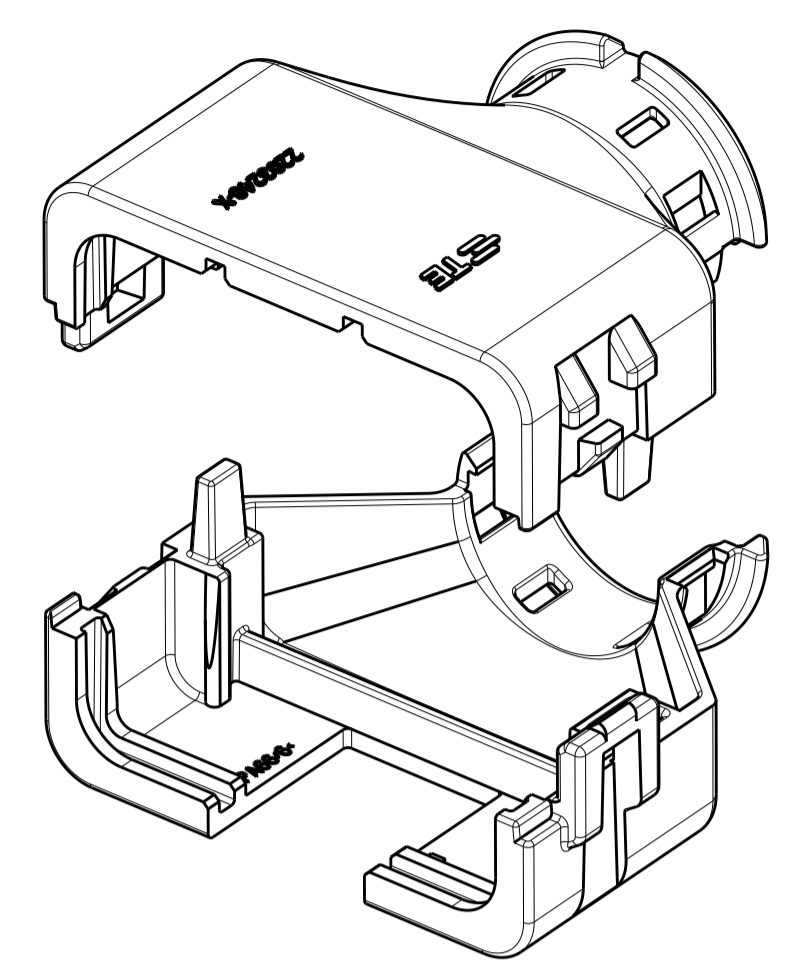
Address: A1208, Overseas Decoration Building, #122 Zhenhua RD., Futian, Shenzhen, China



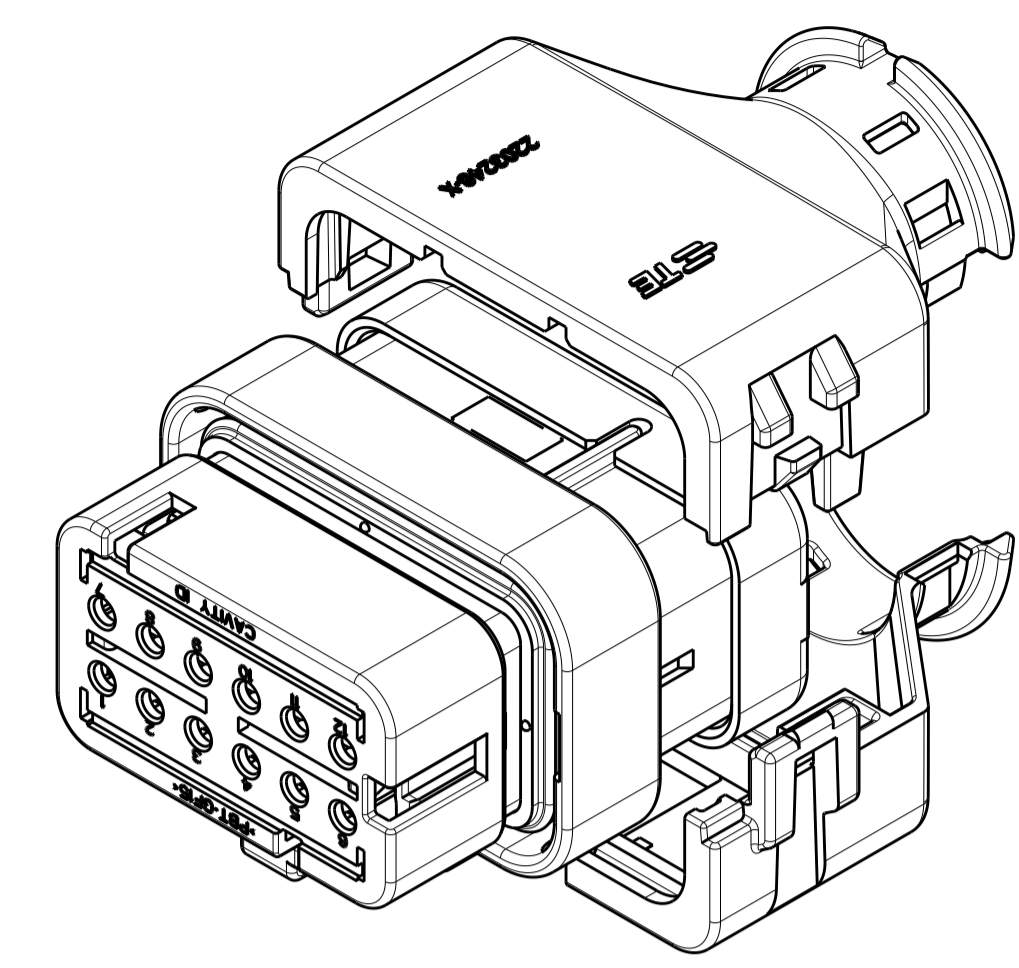
REVISIONS				
P	LTN	DESCRIPTION	DATE	APVD
A		RELEASED PER ECO-15-010501	17JUL2015	JM RB
A1		REV PER ECO-16-008350	02JUN2016	JM RB
A2		REV PER ECO-16-013256	08SEP2016	JM RB



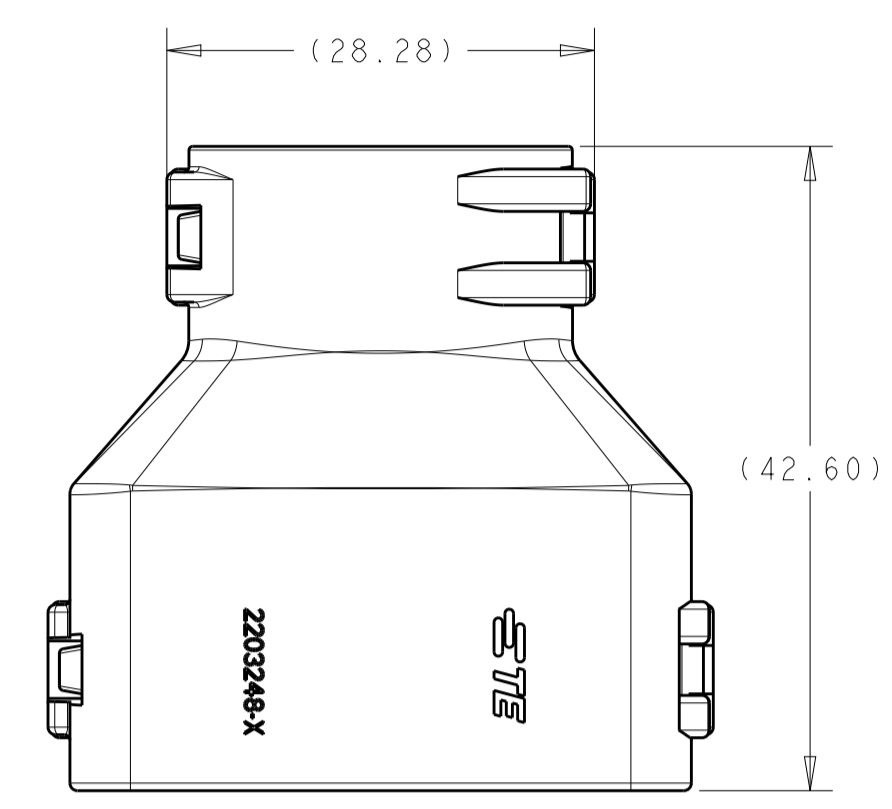
2292802-1
ASSEMBLED ISOMETRIC VIEW SHOWN



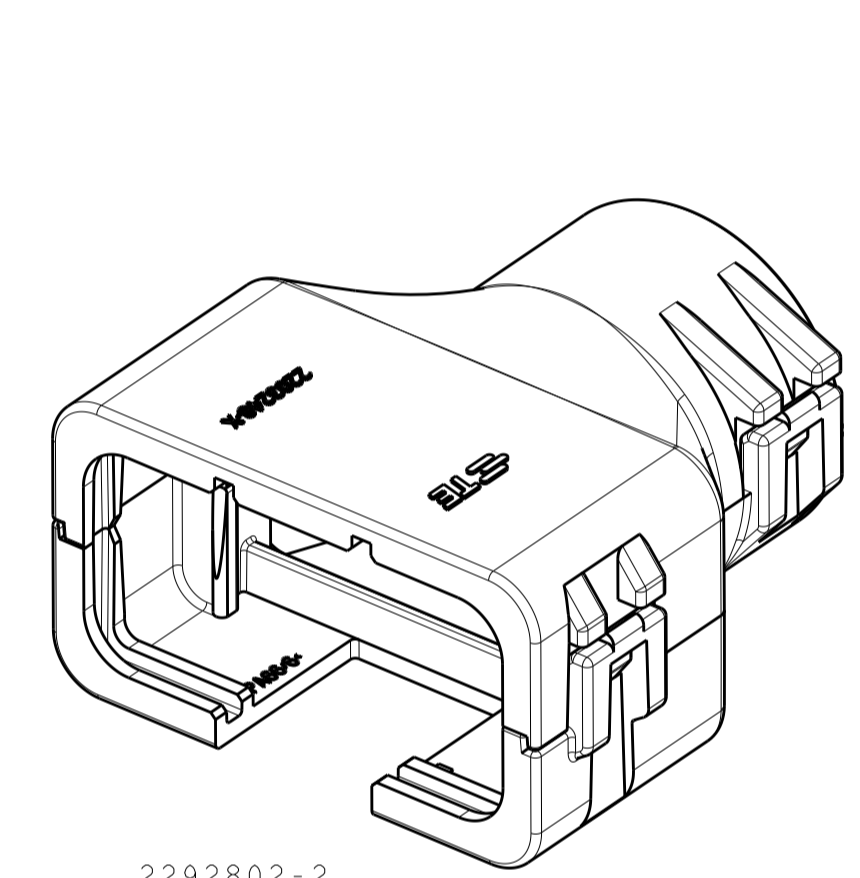
2292802-1
EXPLODED ISOMETRIC VIEW SHOWN



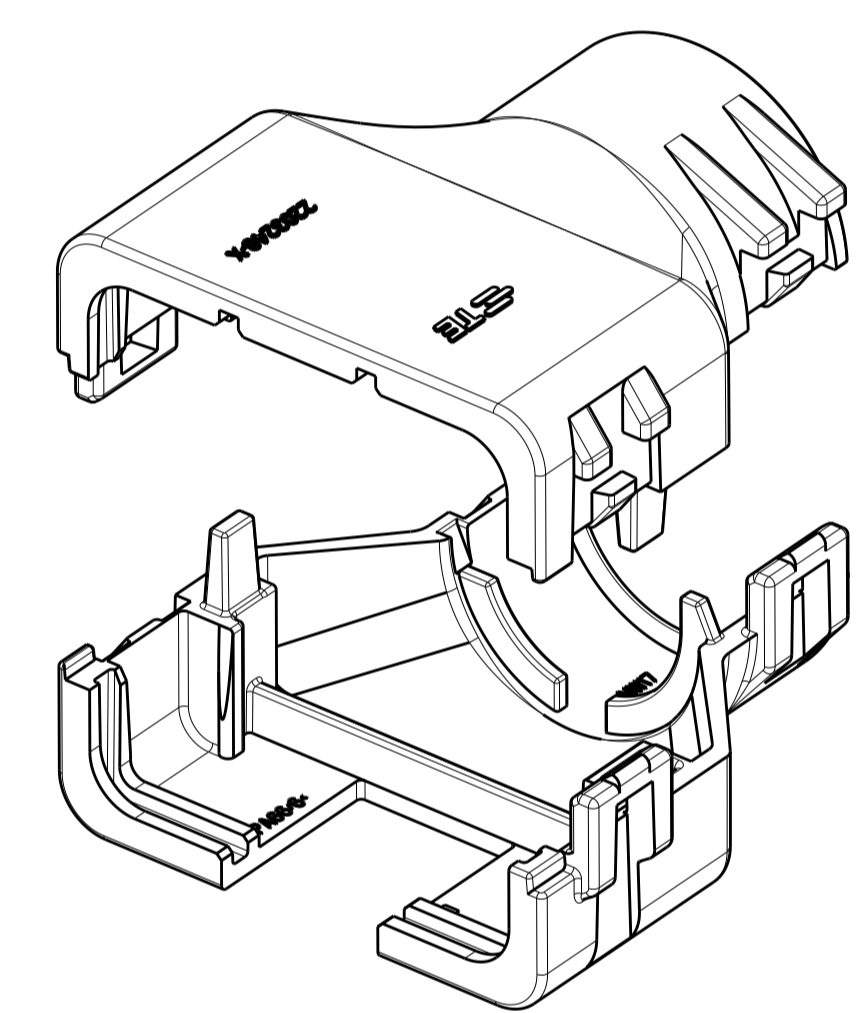
2292802-1
WITH PLUG ASSEMBLY
EXPLODED ISOMETRIC VIEW SHOWN



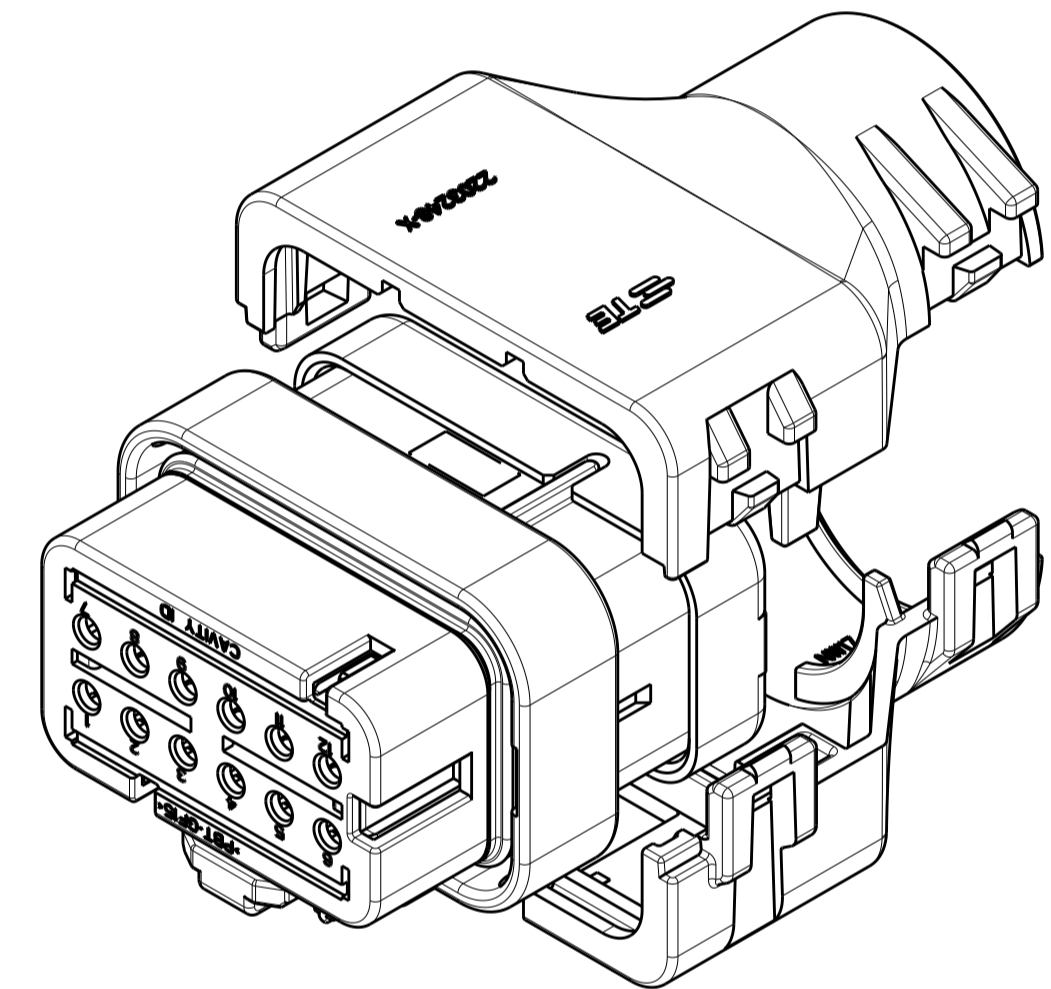
2292802-2
ASSEMBLED VIEW SHOWN
DIMENSIONS SHOWN TYPICAL FOR -2 AND -3 ONLY



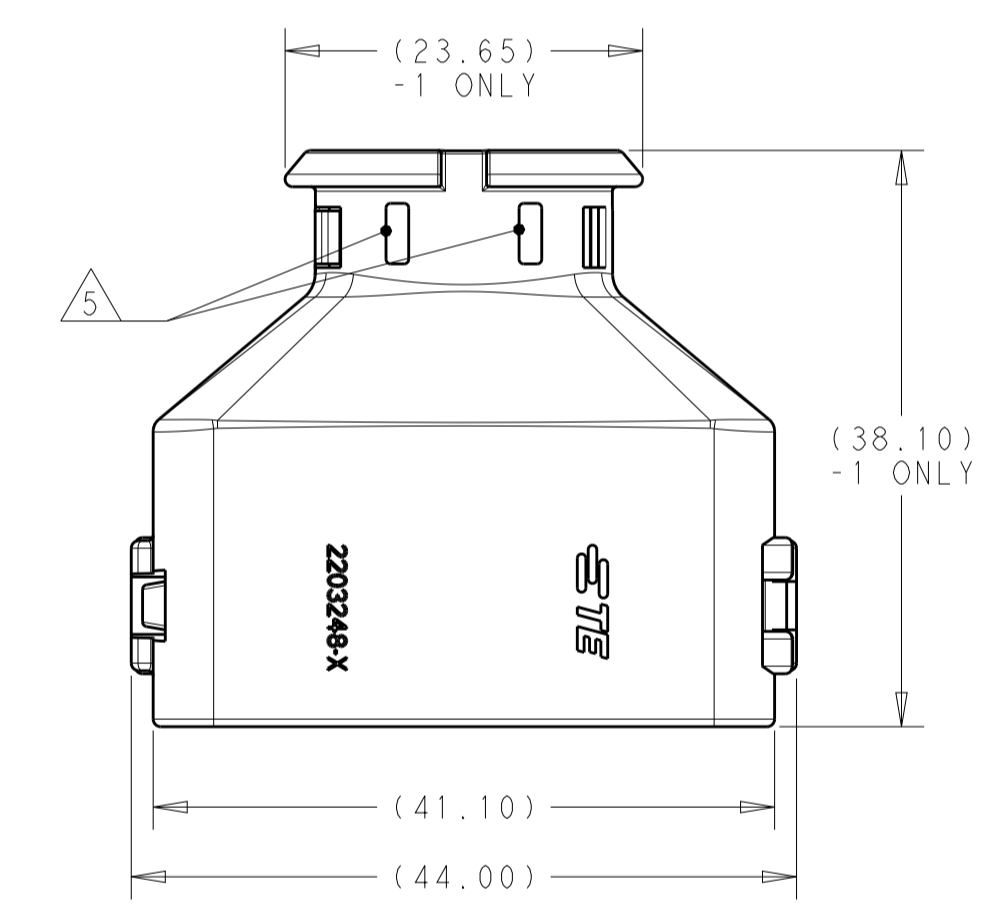
2292802-2
ASSEMBLED ISOMETRIC VIEW SHOWN



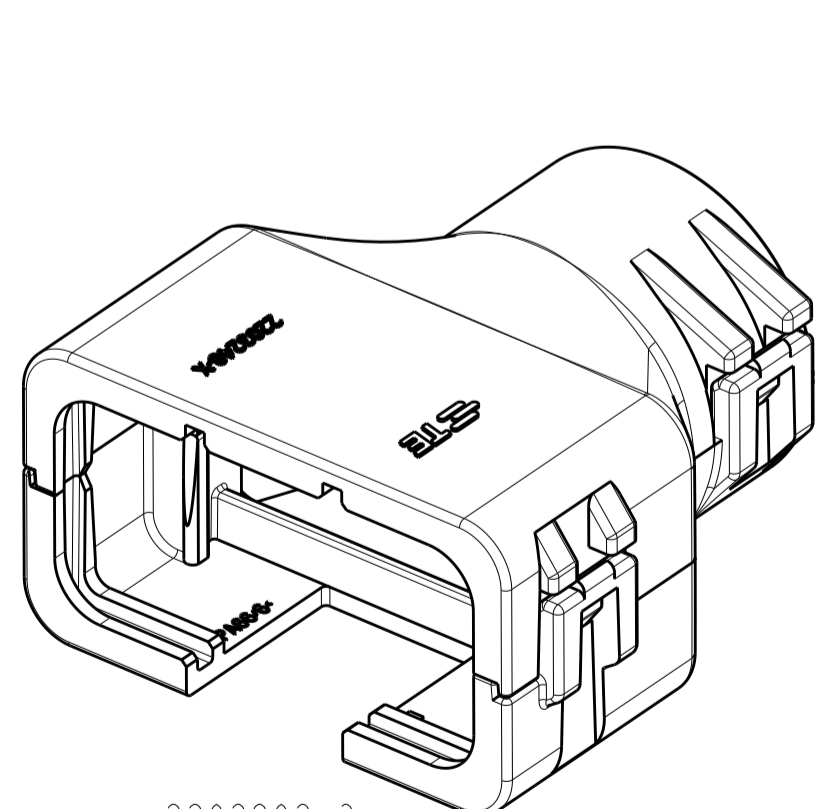
2292802-2
EXPLODED ISOMETRIC VIEW SHOWN



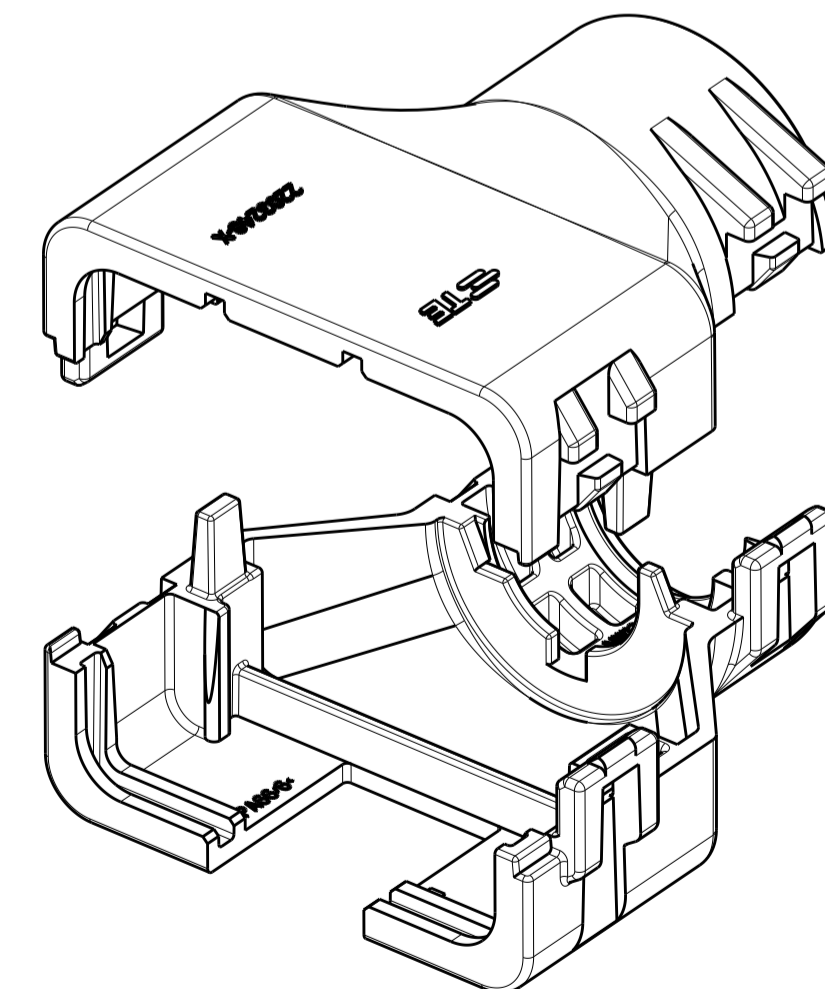
2292802-2
WITH PLUG ASSEMBLY
EXPLODED ISOMETRIC VIEW SHOWN



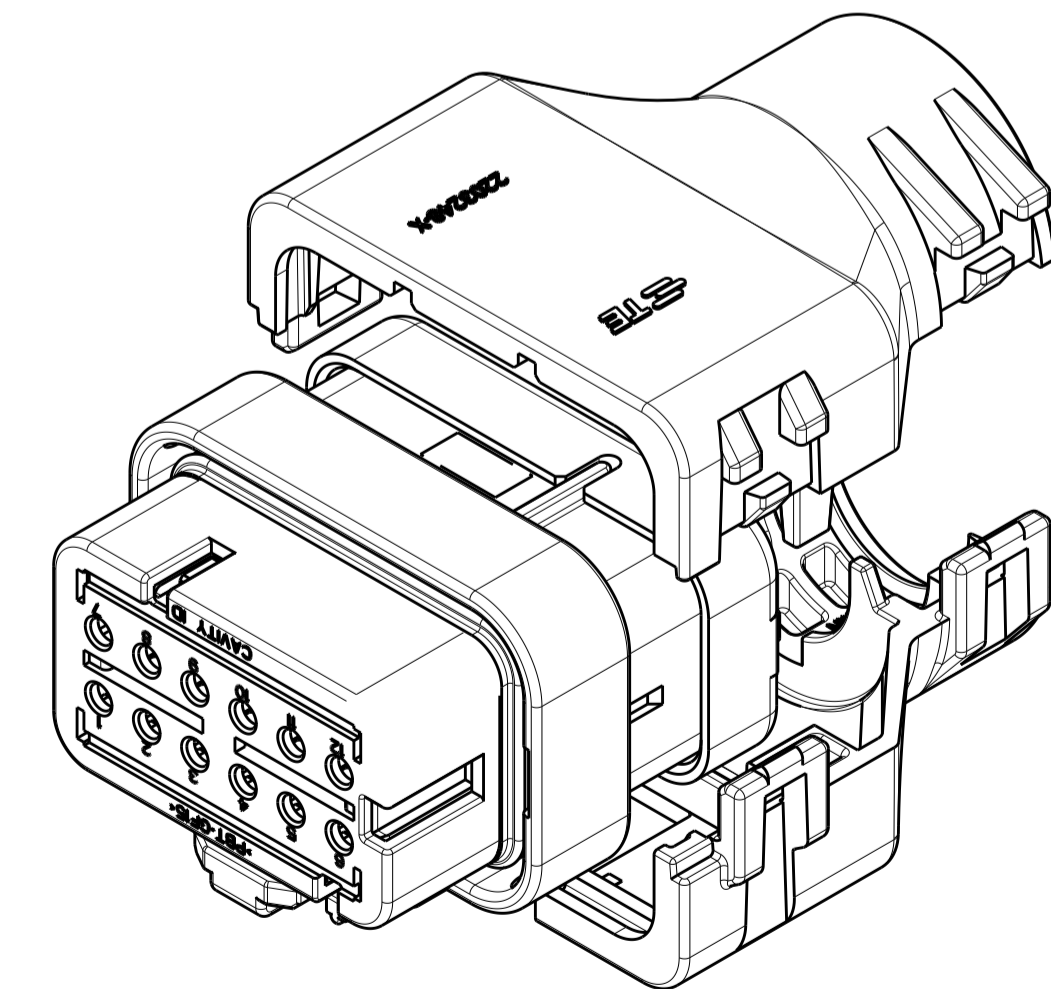
2292802-1
ASSEMBLED VIEW SHOWN
DIMENSIONS SHOWN TYPICAL FOR ALL PART NUMBERS
EXCEPT AS NOTED



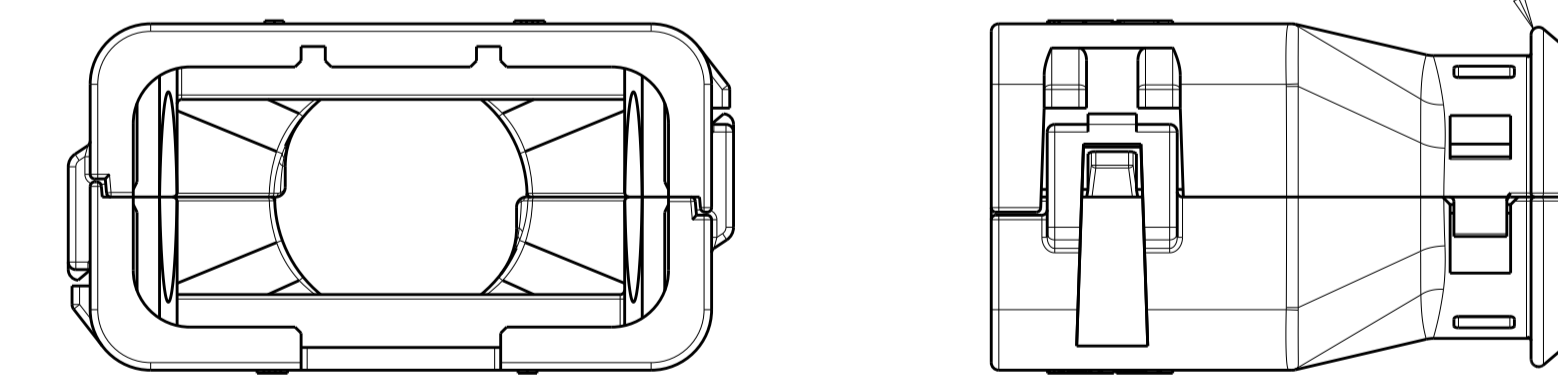
2292802-3
ASSEMBLED ISOMETRIC VIEW SHOWN



2292802-3
EXPLODED ISOMETRIC VIEW SHOWN



2292802-3
WITH PLUG ASSEMBLY
EXPLODED ISOMETRIC VIEW SHOWN



- 1 MATERIAL: NYLON MOLDING COMPOUND, BLACK, PA66/6.
- 2 BACKSHELL DESIGNED SUCH THAT TWO HALVES ATTACH TO ONE ANOTHER AND CLAMP AROUND THE CONNECTOR COVER.
- 3 DIMENSIONS TO BE MEASURED WHEN BACKSHELLS ASSEMBLED.
- 4 PRODUCT WEIGHTS:
2292802-1: 7.23g ASSEMBLED
2292802-2: 9.06g ASSEMBLED
2292802-3: 10.36g ASSEMBLED
- 5 4mm WIDE SLOTS FOR TIE WRAP TO SECURE HARNESS WIRES (-1 ONLY).
- 6 HEAT SHRINK TUBING RETENTION FEATURE (-1 ONLY).
- 7. INSTRUCTION SHEET: 408-151043.
- 8. CONDUIT PROFILE: NORMAL ONLY.

FITS ON PLUG ASSY	CORREGATE NC	CORREGATE NW	PART NUMBER
NC16	NW13		2292802-3
NC20	NW17		2292802-2
SMOOTH	SMOOTH		2292802-1

THIS DRAWING IS A CONTROLLED DOCUMENT.		DWN J MCNEAL 22JUN2015 CHK R BALTER 22JUN2015 APVD R BALTER 22JUN2015	STE TE Connectivity	
DIMENSIONS: mm [INCHES]		TOLERANCES UNLESS OTHERWISE SPECIFIED: 0 PLC ± 1 PLC ± 2 PLC ± 3 PLC ± 4 PLC ± ANGLES ± FINISH ±		NAME BACKSHELL KIT, 12 POSITION PLUG ASSY AMPSEAL 16
MATERIAL:		WEIGHT: 7.23g		SIZE CAGE CODE DRAWING NO RESTRICTED TO A100779C=2292802
CUSTOMER DRAWING		SCALE 2:1 SHEET 1 OF 1 REV A2		APPLICATION SPEC: 108-151043