



Chipsmall Limited consists of a professional team with an average of over 10 year of expertise in the distribution of electronic components. Based in Hongkong, we have already established firm and mutual-benefit business relationships with customers from,Europe,America and south Asia,supplying obsolete and hard-to-find components to meet their specific needs.

With the principle of “Quality Parts,Customers Priority,Honest Operation,and Considerate Service”,our business mainly focus on the distribution of electronic components. Line cards we deal with include Microchip,ALPS,ROHM,Xilinx,Pulse,ON,Everlight and Freescale. Main products comprise IC,Modules,Potentiometer,IC Socket,Relay,Connector.Our parts cover such applications as commercial,industrial, and automotives areas.

We are looking forward to setting up business relationship with you and hope to provide you with the best service and solution. Let us make a better world for our industry!



Contact us

Tel: +86-755-8981 8866 Fax: +86-755-8427 6832

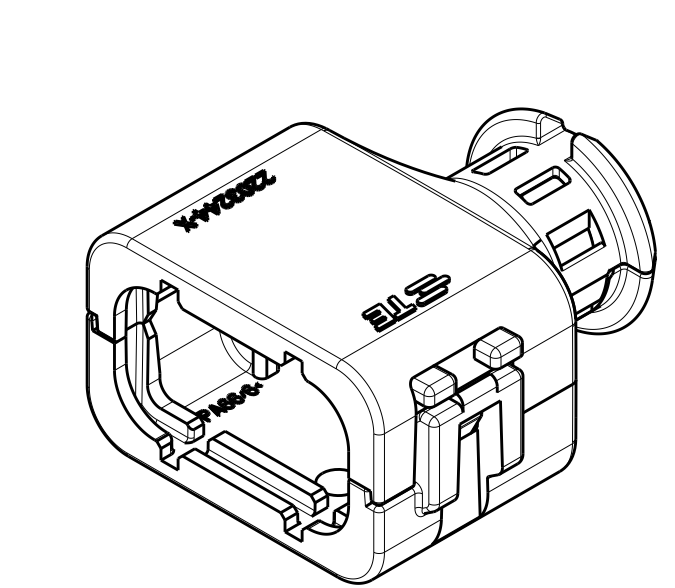
Email & Skype: info@chipsmall.com Web: www.chipsmall.com

Address: A1208, Overseas Decoration Building, #122 Zhenhua RD., Futian, Shenzhen, China

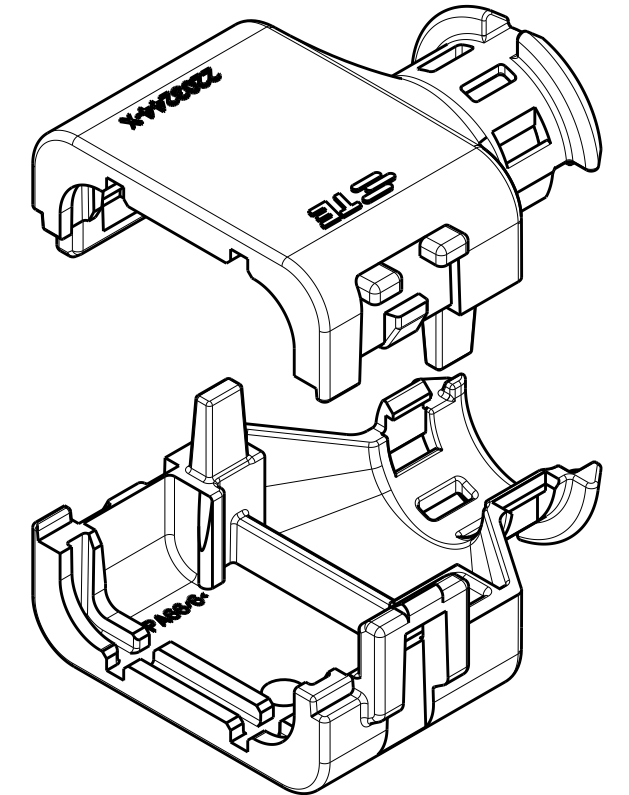


THIS DRAWING IS UNPUBLISHED. RELEASED FOR PUBLICATION
 © COPYRIGHT 20 BY - ALL RIGHTS RESERVED.

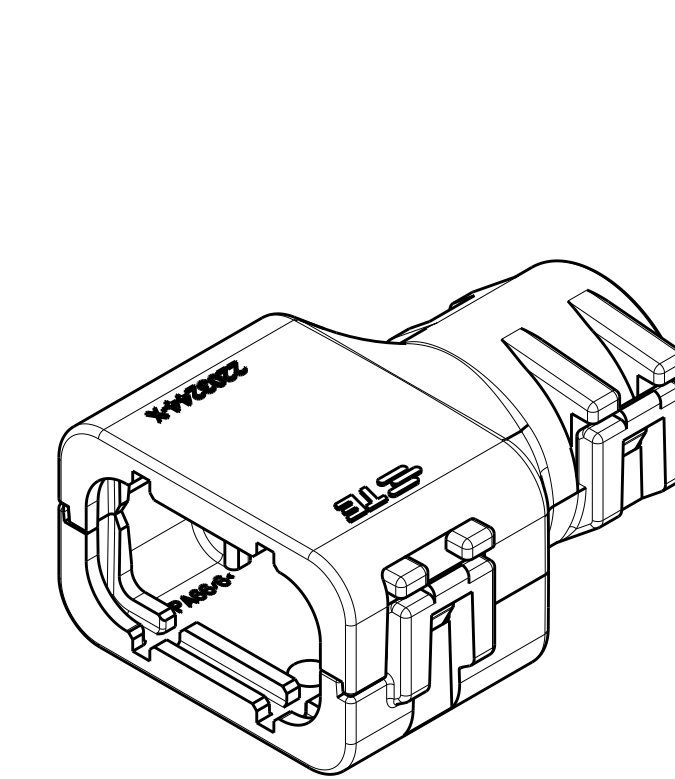
REVISIONS				
P	LTR	DESCRIPTION	DATE	APVD
A		RELEASED PER ECO-15-010501	17JUL2015	JM RB
A1		REV PER ECO-16-007279	12MAY2016	JM RB
A2		REV PER ECO-16-013256	08SEP2016	JM RB



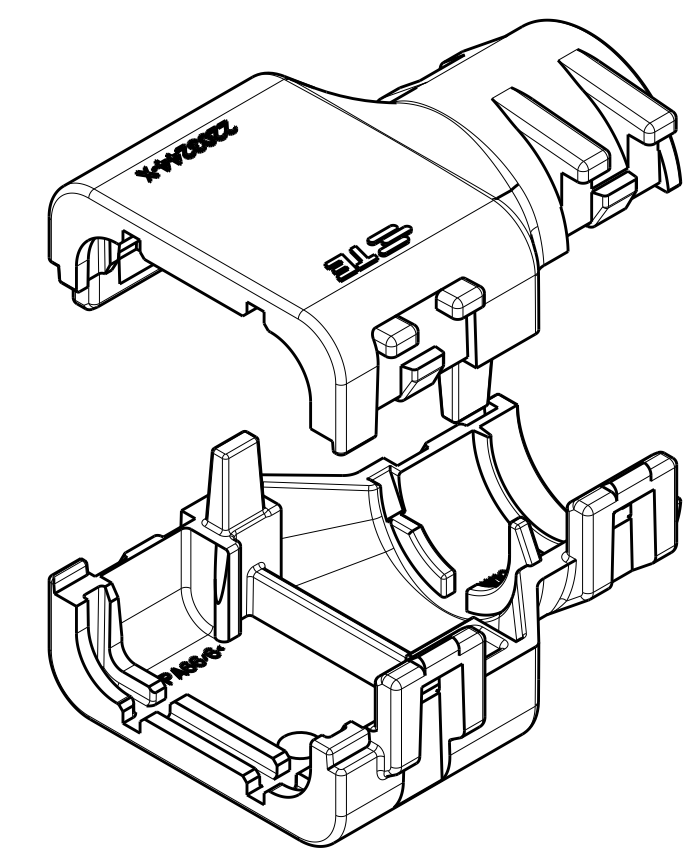
2292861-1
ASSEMBLED ISOMETRIC VIEW SHOWN



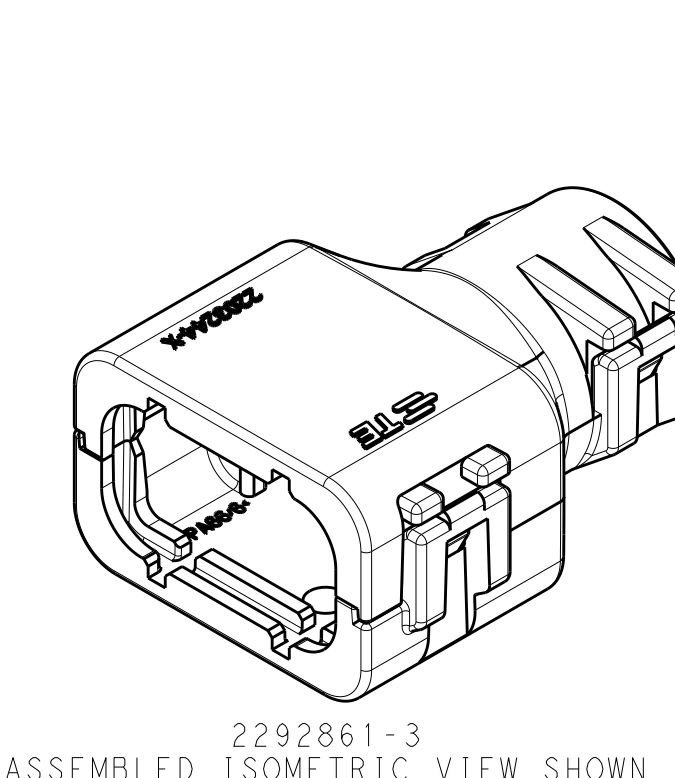
2292861-1
EXPLODED ISOMETRIC VIEW SHOWN



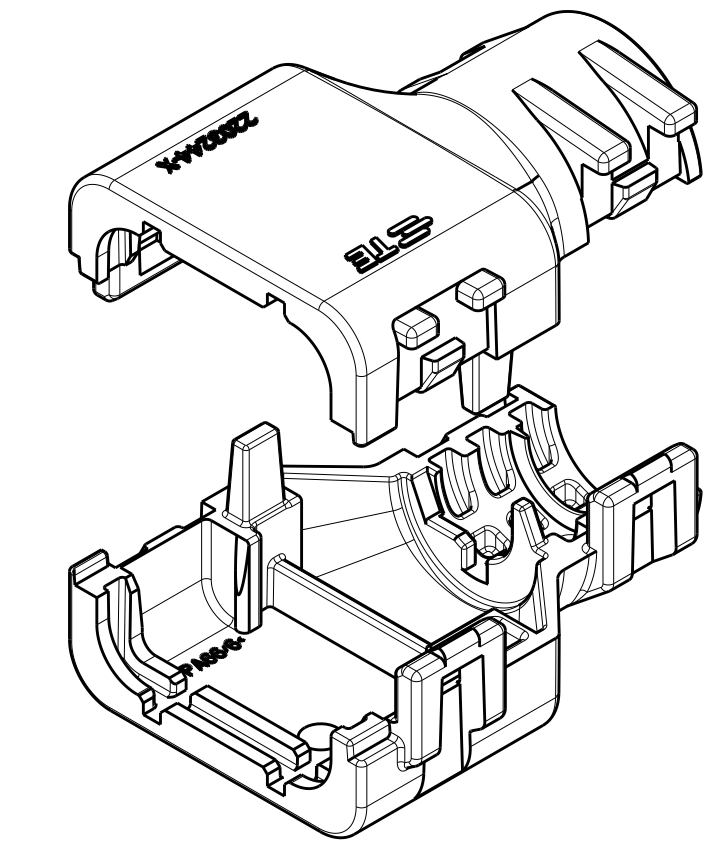
2292861-2
ASSEMBLED ISOMETRIC VIEW SHOWN



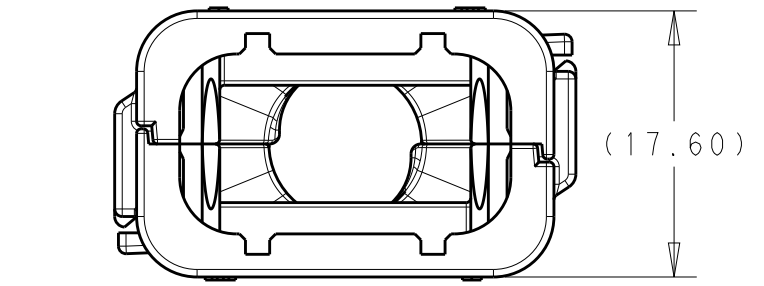
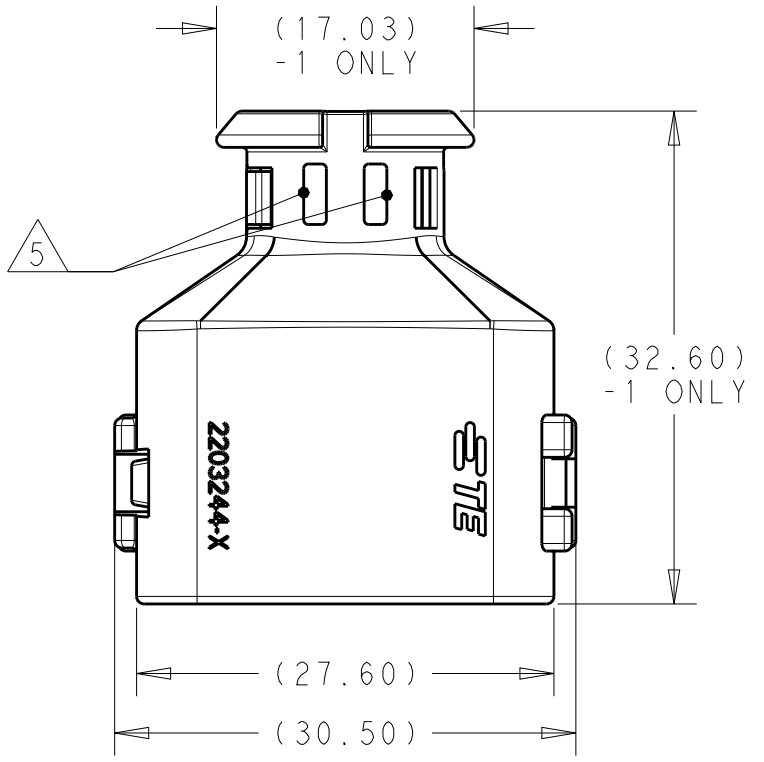
2292861-2
EXPLODED ISOMETRIC VIEW SHOWN



2292861-3
ASSEMBLED ISOMETRIC VIEW SHOWN

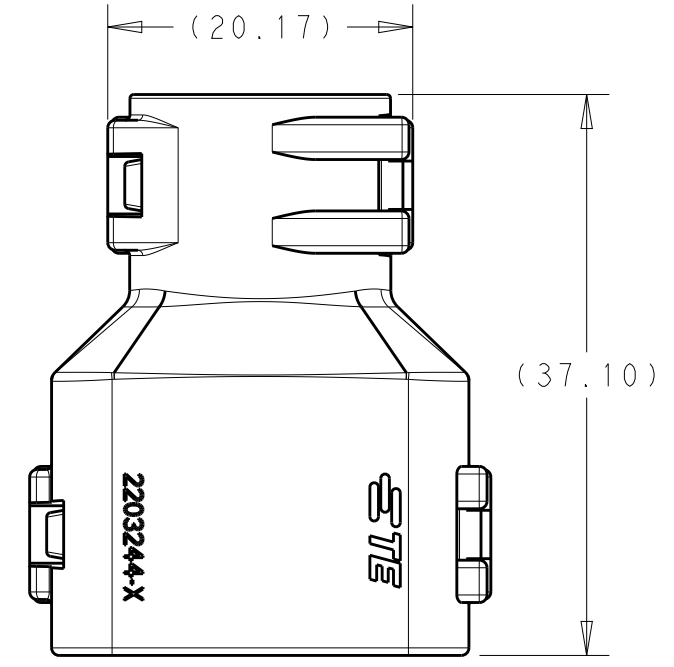
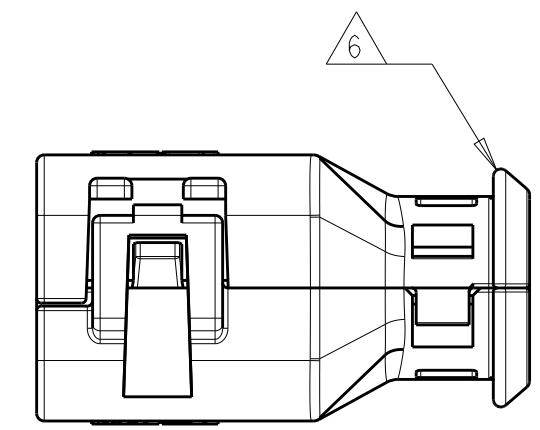


2292861-3
EXPLODED ISOMETRIC VIEW SHOWN



2292861-1
ASSEMBLED VIEW SHOWN

DIMENSIONS SHOWN TYPICAL FOR ALL PART NUMBERS ³ EXCEPT AS NOTED



2292861-2
ASSEMBLED VIEW SHOWN

DIMENSIONS SHOWN TYPICAL FOR -2 AND -3 ONLY ³

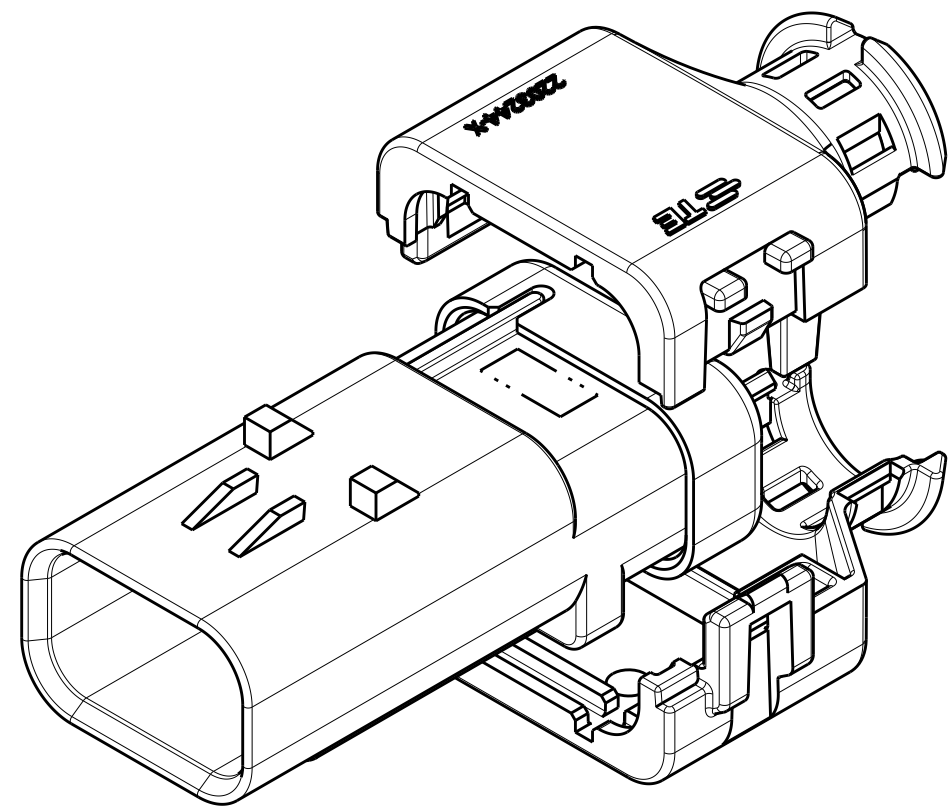
- 1 MATERIAL: NYLON MOLDING COMPOUND, BLACK, PA66/6.
- 2 BACKSHELL DESIGNED SUCH THAT TWO HALVES ATTACH TO ONE ANOTHER AND CLAMP AROUND THE CONNECTOR COVER.
- 3 DIMENSIONS TO BE MEASURED WHEN BACKSHELLS ASSEMBLED.
- 4 PRODUCT WEIGHTS:
2292861-1: 4.55g ASSEMBLED
2292861-2: 5.70g ASSEMBLED
2292861-3: 6.15g ASSEMBLED
- 5 4mm WIDE SLOTS FOR TIE WRAP TO SECURE HARNESS WIRES (-1 ONLY).
- 6 HEAT SHRINK TUBING RETENTION FEATURE (-1 ONLY).
- 7. INSTRUCTION SHEET: 408-151043.
- 8. CONDUIT PROFILE: NORMAL ONLY

776430-X	NC08	NW7.5	2292861-3
776535-X	NC12	NW10	2292861-2
	SMOOTH	SMOOTH	2292861-1
FITS ON CAP ASSY	CORRUGATE NC	CORRUGATE NW	PART NUMBER
	CONDUIT SIZE		

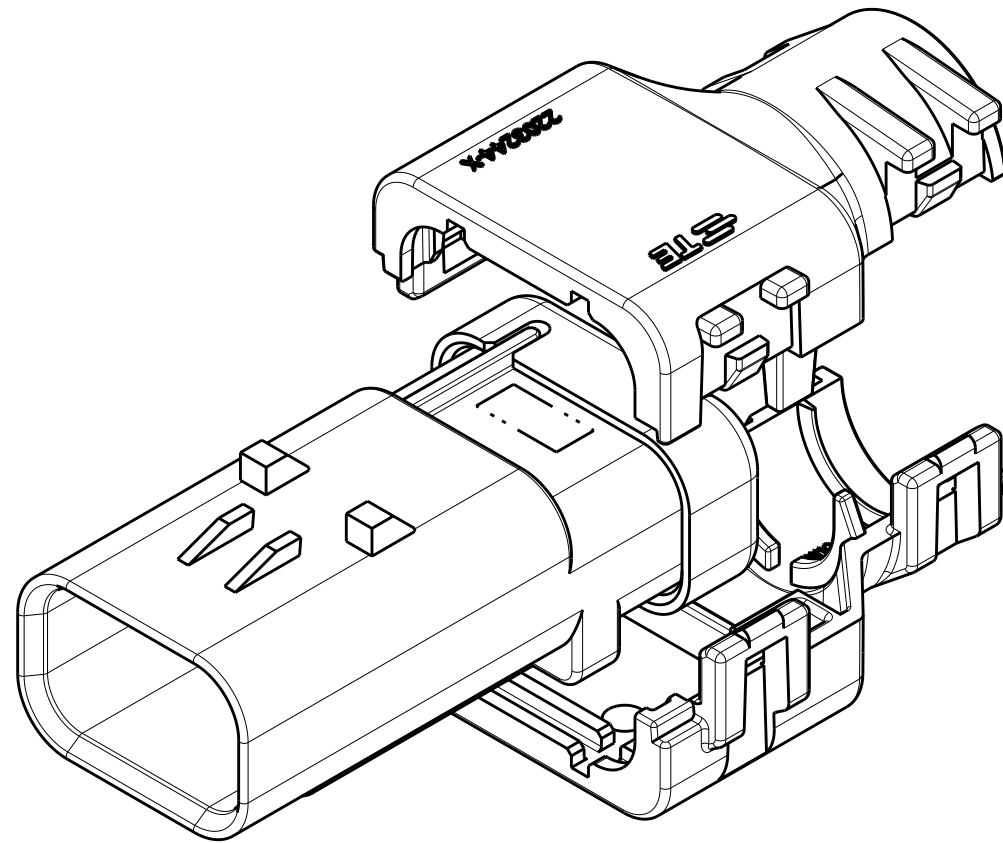
THIS DRAWING IS A CONTROLLED DOCUMENT.		DWN J MCNEAL 27MAY2015	STE TE Connectivity	
DIMENSIONS: mm		CHK R BALTER 27MAY2015		
TOLERANCES UNLESS OTHERWISE SPECIFIED:		APVD R BALTER 27MAY2015	NAME CAP ASSEMBLY, BACKSHELL KIT, 3 POSITION, AMPSEAL 16	
0 PLC ±		PRODUCT SPEC 108-151043	SIZE CAGE CODE DRAWING NO	
1 PLC ±		APPLICATION SPEC	RESTRICTED TO	
2 PLC ±		WEIGHT ⁴	A2 00779 C-2292861	
3 PLC ±		CUSTOMER DRAWING	SCALE 2:1 SHEET 1 OF 2 REV A2	
4 PLC ±				
ANGLES ±				
FINISH				

THIS DRAWING IS UNPUBLISHED. RELEASED FOR PUBLICATION
 © COPYRIGHT 20 BY - ALL RIGHTS RESERVED.

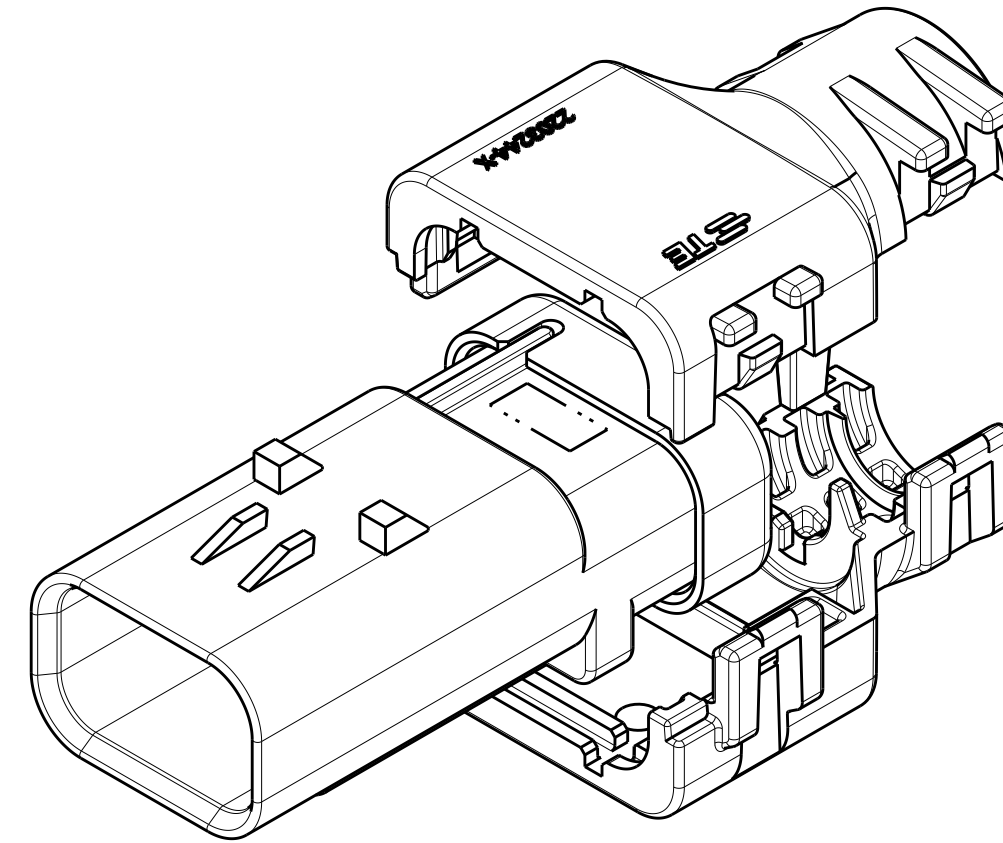
REVISIONS				
P	LTR	DESCRIPTION	DATE	APVD
-		SEE SHEET 1	-	-




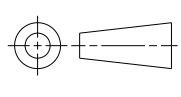
2292861-1
 WITH CAP ASSEMBLY \triangle
 EXPLODED ISOMETRIC VIEW SHOWN



2292861-2
 WITH CAP ASSEMBLY \triangle
 EXPLODED ISOMETRIC VIEW SHOWN



2292861-3
 WITH CAP ASSEMBLY \triangle
 EXPLODED ISOMETRIC VIEW SHOWN

THIS DRAWING IS A CONTROLLED DOCUMENT.		DWN J. MCNEAL 27MAY2015	 TE Connectivity	
DIMENSIONS: mm		CHK R. BALTER 27MAY2015		
TOLERANCES UNLESS OTHERWISE SPECIFIED:		APVD R. BALTER 27MAY2015	NAME CAP ASSEMBLY, BACKSHELL KIT, 3 POSITION, AMPSEAL 16	
		PRODUCT SPEC 108-151043	RESTRICTED TO	
MATERIAL		APPLICATION SPEC	SIZE A2	CAGE CODE 00779
		WEIGHT	DRAWING NO C-2292861	SCALE 2:1
		CUSTOMER DRAWING	SHEET 2 OF 2	REV A2