



Chipsmall Limited consists of a professional team with an average of over 10 year of expertise in the distribution of electronic components. Based in Hongkong, we have already established firm and mutual-benefit business relationships with customers from,Europe,America and south Asia,supplying obsolete and hard-to-find components to meet their specific needs.

With the principle of “Quality Parts,Customers Priority,Honest Operation,and Considerate Service”,our business mainly focus on the distribution of electronic components. Line cards we deal with include Microchip,ALPS,ROHM,Xilinx,Pulse,ON,Everlight and Freescale. Main products comprise IC,Modules,Potentiometer,IC Socket,Relay,Connector.Our parts cover such applications as commercial,industrial, and automotives areas.

We are looking forward to setting up business relationship with you and hope to provide you with the best service and solution. Let us make a better world for our industry!



Contact us

Tel: +86-755-8981 8866 Fax: +86-755-8427 6832

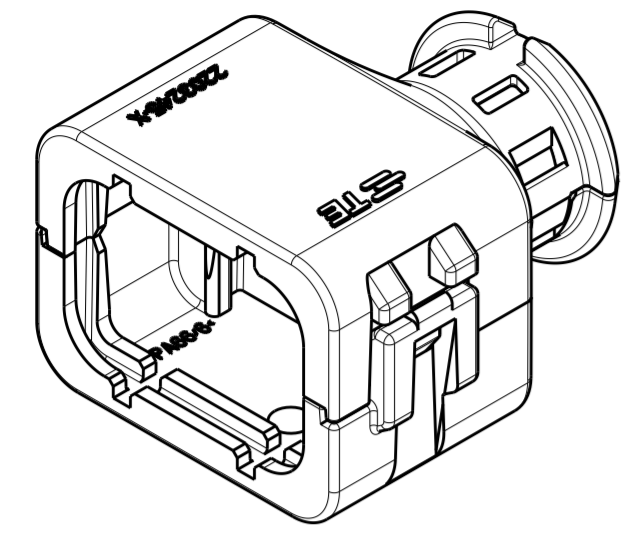
Email & Skype: info@chipsmall.com Web: www.chipsmall.com

Address: A1208, Overseas Decoration Building, #122 Zhenhua RD., Futian, Shenzhen, China

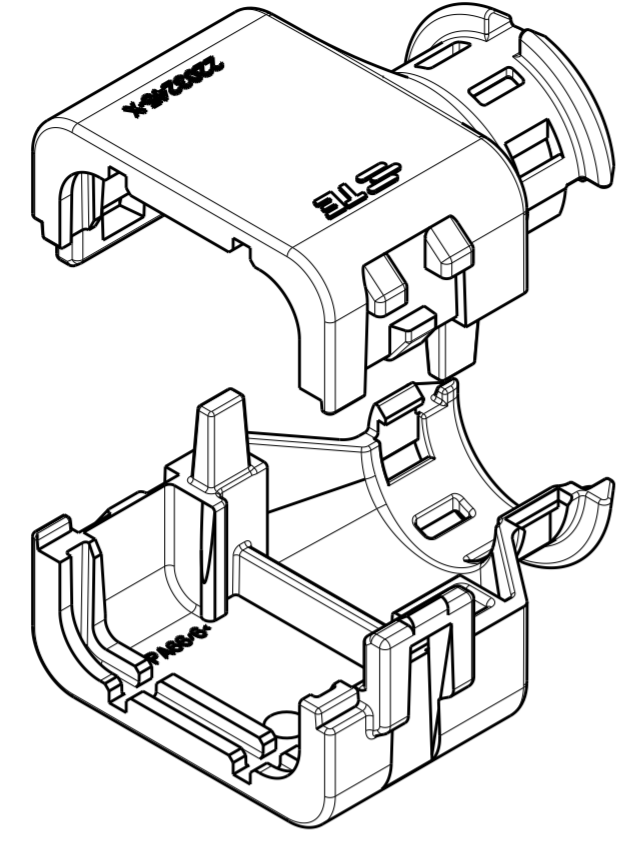


THIS DRAWING IS UNPUBLISHED. RELEASED FOR PUBLICATION 20
 © COPYRIGHT 20 BY - ALL RIGHTS RESERVED.

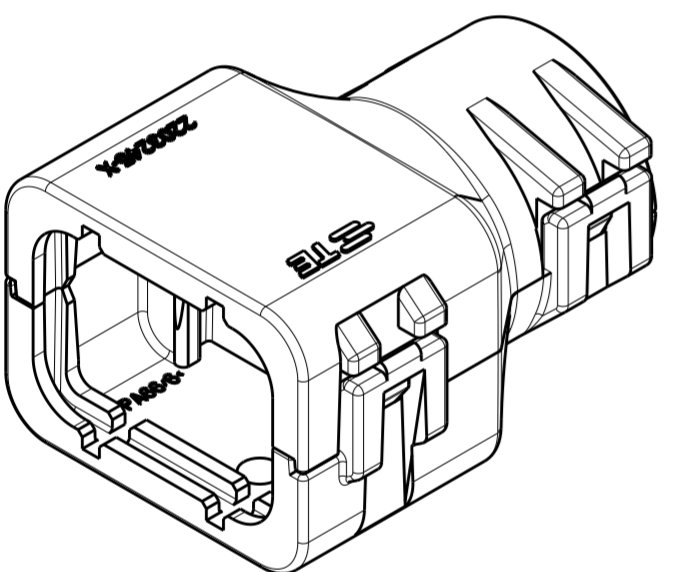
REVISIONS					
P	LTR	DESCRIPTION	DATE	DWN	APVD
	A	RELEASED PER ECO-15-010501	17JUL2015	JM	RB
	A1	REV PER ECO-16-008350	02JUN2016	JM	RB
	A2	REV PER ECO-16-013256	08SEP2016	JM	RB



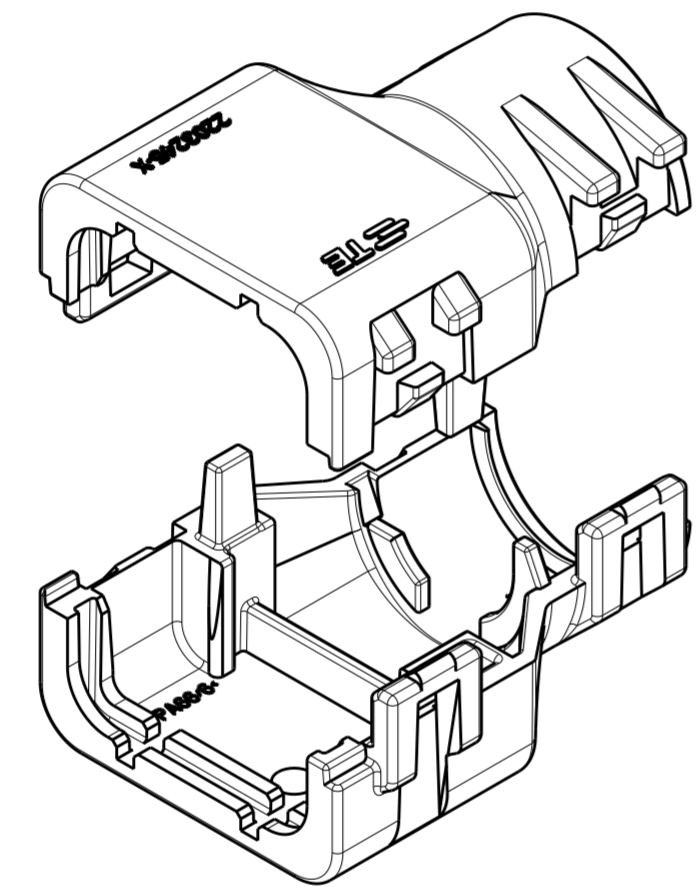
2292862-1
ASSEMBLED ISOMETRIC VIEW SHOWN



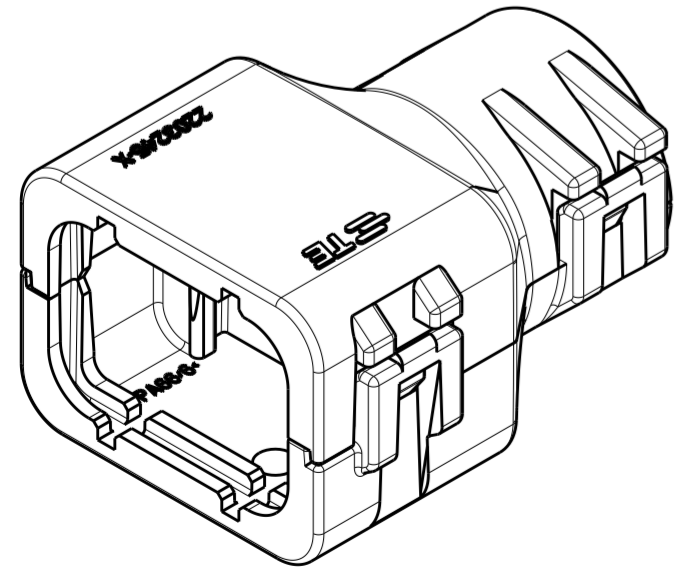
2292862-1
EXPLODED ISOMETRIC VIEW SHOWN



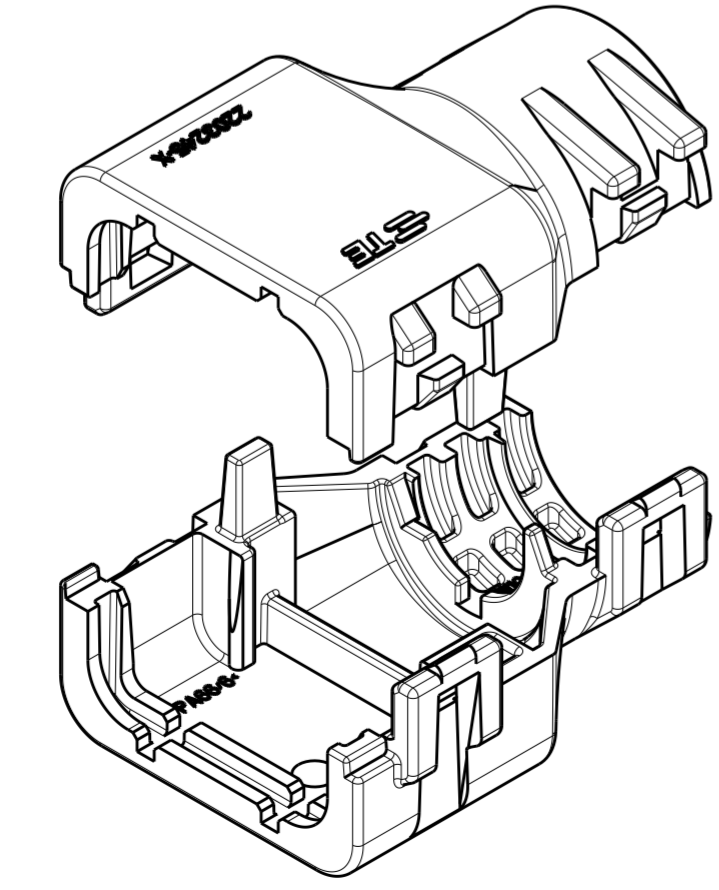
2292862-2
ASSEMBLED ISOMETRIC VIEW SHOWN



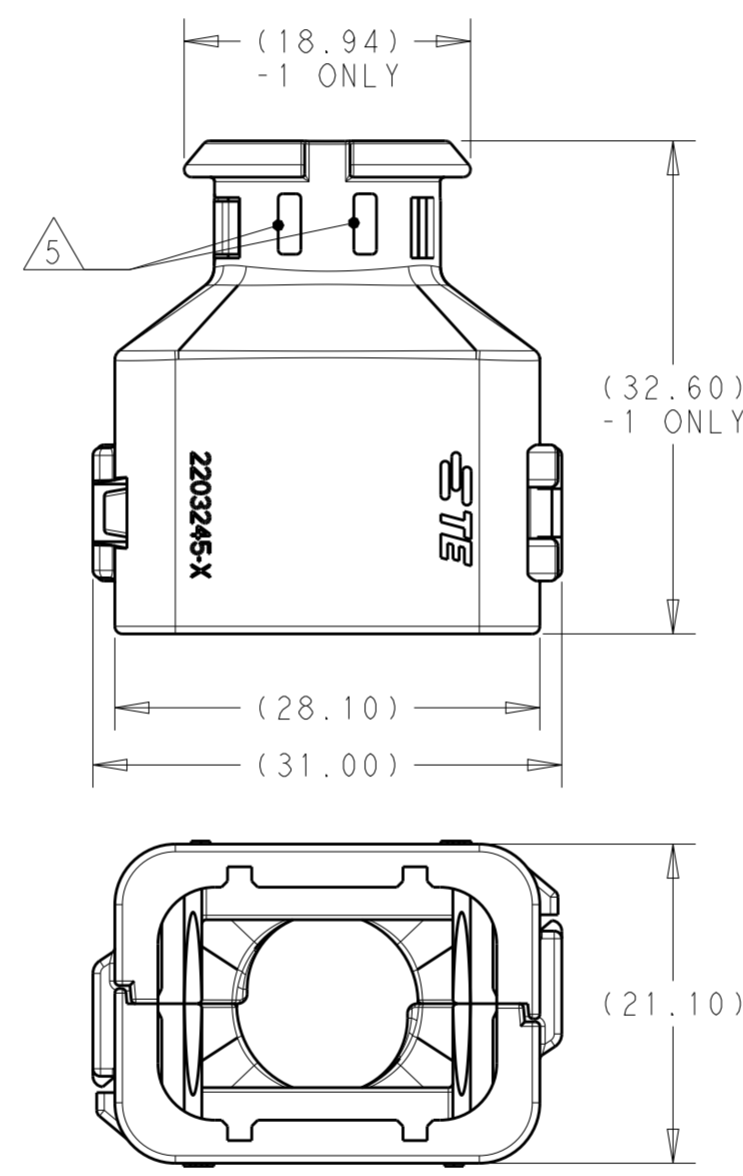
2292862-2
EXPLODED ISOMETRIC VIEW SHOWN



2292862-3
ASSEMBLED ISOMETRIC VIEW SHOWN

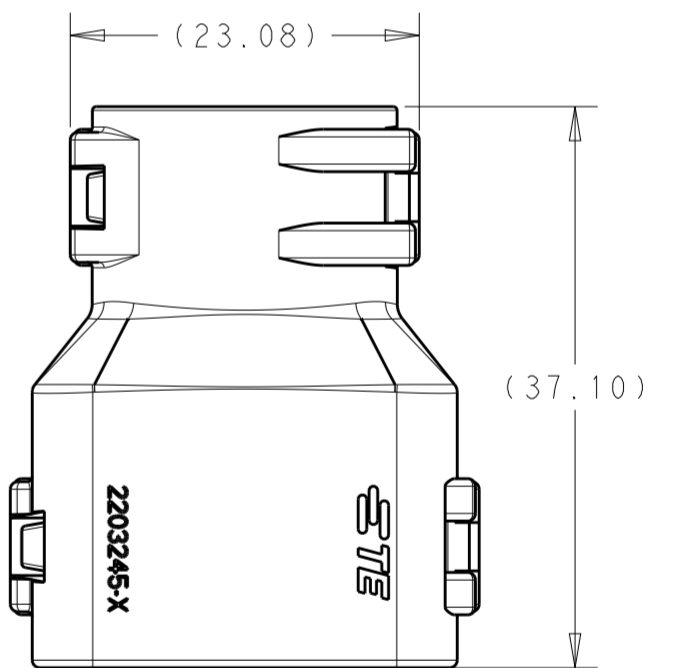
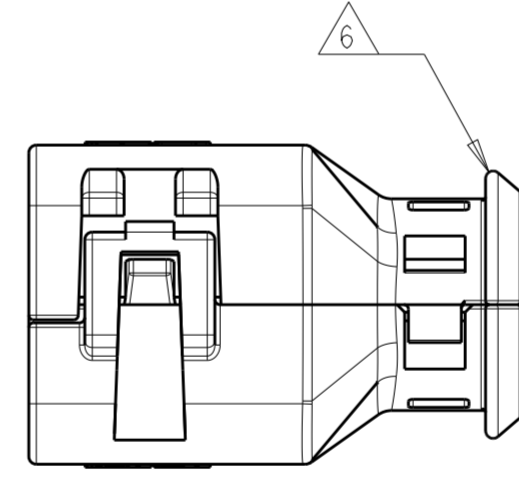


2292862-3
EXPLODED ISOMETRIC VIEW SHOWN



2292862-1
ASSEMBLED VIEW SHOWN

DIMENSIONS SHOWN TYPICAL FOR ALL PART NUMBERS ³
EXCEPT AS NOTED



2292862-2
ASSEMBLED VIEW SHOWN

DIMENSIONS SHOWN TYPICAL FOR -2 AND -3 ONLY ³

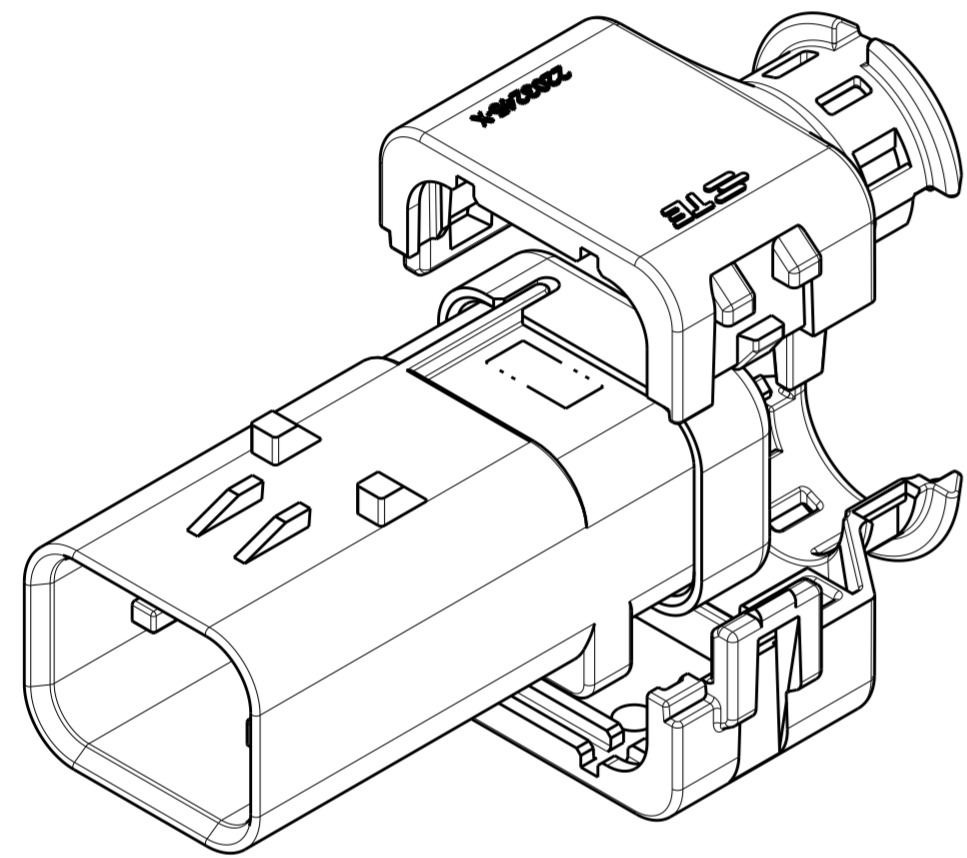
- ¹ MATERIAL: NYLON MOLDING COMPOUND, BLACK, PA66/6.
- ² BACKSHELL DESIGNED SUCH THAT TWO HALVES ATTACH TO ONE ANOTHER AND CLAMP AROUND THE CONNECTOR COVER.
- ³ DIMENSIONS TO BE MEASURED WHEN BACKSHELLS ASSEMBLED.
- ⁴ PRODUCT WEIGHTS:
2292862-1: 5.08g ASSEMBLED
2292862-2: 6.42g ASSEMBLED
2292862-3: 7.02g ASSEMBLED
- ⁵ 4mm WIDE SLOTS FOR TIE WRAP TO SECURE HARNESS WIRES (-1 ONLY).
- ⁶ HEAT SHRINK TUBING RETENTION FEATURE (-1 ONLY).
- 7. INSTRUCTION SHEET: 408-151043.
- 8. CONDUIT PROFILE: NORMAL ONLY.

776488-X	NC12	NW10	2292862-3
776536-X	NC16	NW13	2292862-2
	SMOOTH	SMOOTH	2292862-1
FITS ON CAP ASSY	CORREGATE NC	CORREGATE NW	PART NUMBER
	CONDUIT SIZE		

THIS DRAWING IS A CONTROLLED DOCUMENT.		DWN J MCNEAL 05JUN2015	STE TE Connectivity	
DIMENSIONS: mm [INCHES]		CHK R BALTER 05JUN2015		
TOLERANCES UNLESS OTHERWISE SPECIFIED:		APVD R BALTER 05JUN2015	NAME BACKSHELL KIT, 4 POSITION, CAP ASSY AMPSEAL 16	
0 PLC ±	1 PLC ±	PRODUCT SPEC 108-151043	SIZE A2	CAGE CODE 00779
2 PLC ±	3 PLC ±	APPLICATION SPEC	DRAWING NO C-2292862	RESTRICTED TO
4 PLC ±	ANGLES ±	WEIGHT ⁴	SCALE 2:1	SHEET 1 OF 2
FINISH		CUSTOMER DRAWING		REV A2

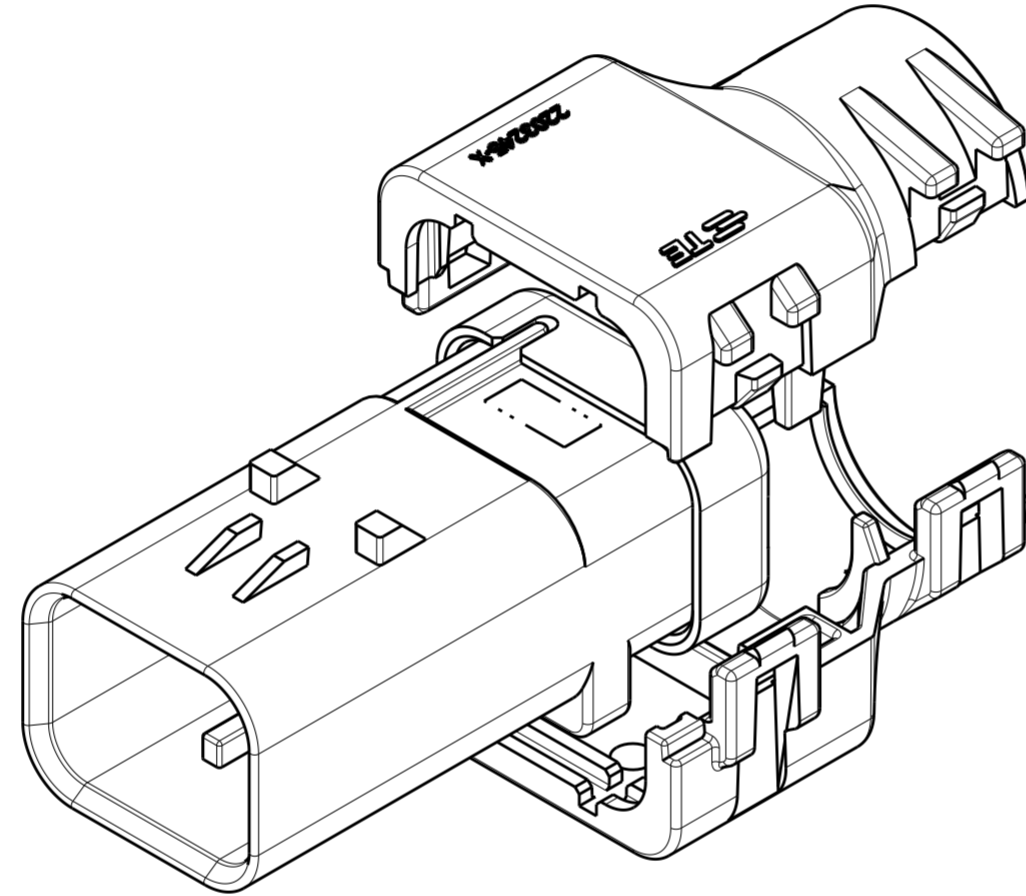
THIS DRAWING IS UNPUBLISHED. RELEASED FOR PUBLICATION 20
 © COPYRIGHT 20 BY - ALL RIGHTS RESERVED.

REVISIONS				
P	LTR	DESCRIPTION	DATE	APVD
-		SEE SHEET 1	-	-



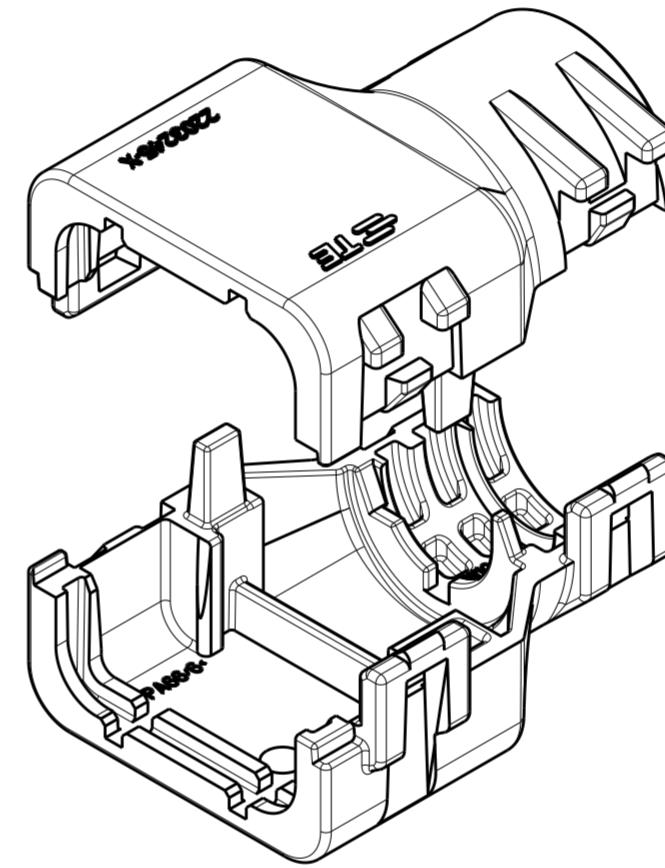
2292862-1

WITH CAP ASSEMBLY ²
 EXPLODED ISOMETRIC VIEW SHOWN




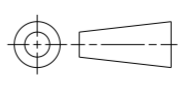
2292862-2

WITH CAP ASSEMBLY ²
 EXPLODED ISOMETRIC VIEW SHOWN



2292862-3

WITH CAP ASSEMBLY ²
 EXPLODED ISOMETRIC VIEW SHOWN

THIS DRAWING IS A CONTROLLED DOCUMENT.		DWN J. MCNEAL 05JUN2015	 TE Connectivity	
DIMENSIONS: mm [INCHES]		CHK R. BALTER 05JUN2015		
		APVD R. BALTER 05JUN2015	NAME BACKSHELL KIT, 4 POSITION, CAP ASSY AMPSEAL 16	
TOLERANCES UNLESS OTHERWISE SPECIFIED:		PRODUCT SPEC 108-151043	RESTRICTED TO	
0 PLC ± 1 PLC ± 2 PLC ± 3 PLC ± 4 PLC ± ANGLES ± FINISH -		APPLICATION SPEC -	SIZE A2	CAGE CODE 00779
MATERIAL -		WEIGHT	DRAWING NO C-2292862	SCALE 2:1
		CUSTOMER DRAWING	SHEET 2	OF 2
			REV A2	