



Chipsmall Limited consists of a professional team with an average of over 10 year of expertise in the distribution of electronic components. Based in Hongkong, we have already established firm and mutual-benefit business relationships with customers from,Europe,America and south Asia,supplying obsolete and hard-to-find components to meet their specific needs.

With the principle of “Quality Parts,Customers Priority,Honest Operation,and Considerate Service”,our business mainly focus on the distribution of electronic components. Line cards we deal with include Microchip,ALPS,ROHM,Xilinx,Pulse,ON,Everlight and Freescale. Main products comprise IC,Modules,Potentiometer,IC Socket,Relay,Connector.Our parts cover such applications as commercial,industrial, and automotives areas.

We are looking forward to setting up business relationship with you and hope to provide you with the best service and solution. Let us make a better world for our industry!



## Contact us

Tel: +86-755-8981 8866 Fax: +86-755-8427 6832

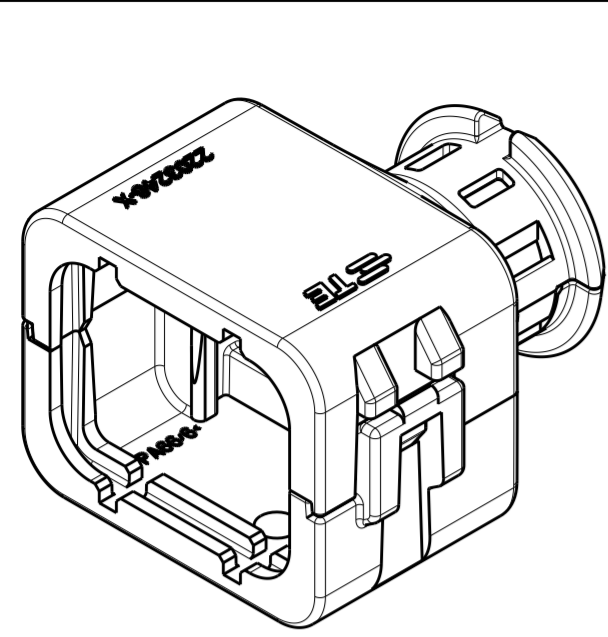
Email & Skype: info@chipsmall.com Web: www.chipsmall.com

Address: A1208, Overseas Decoration Building, #122 Zhenhua RD., Futian, Shenzhen, China

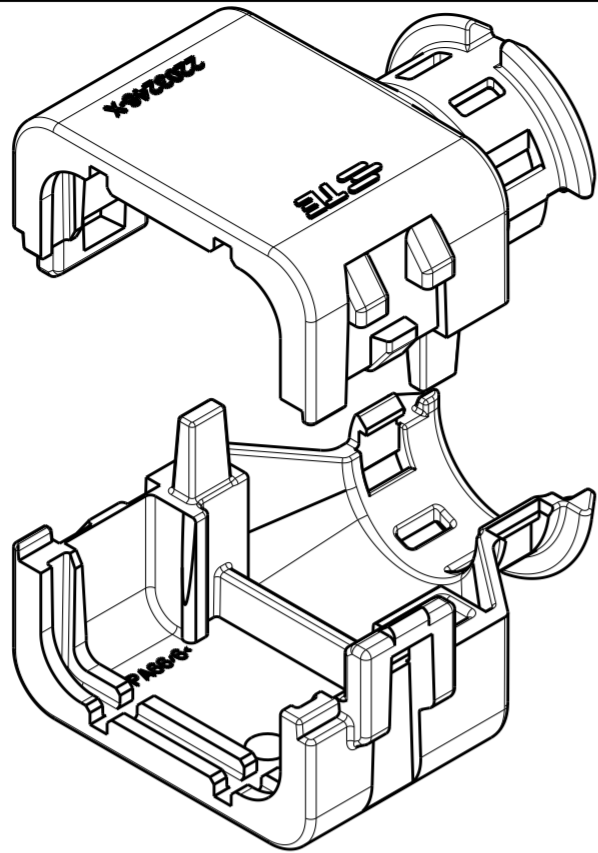


THIS DRAWING IS UNPUBLISHED. RELEASED FOR PUBLICATION 20  
 © COPYRIGHT copyright.d8te- ALL RIGHTS RESERVED.

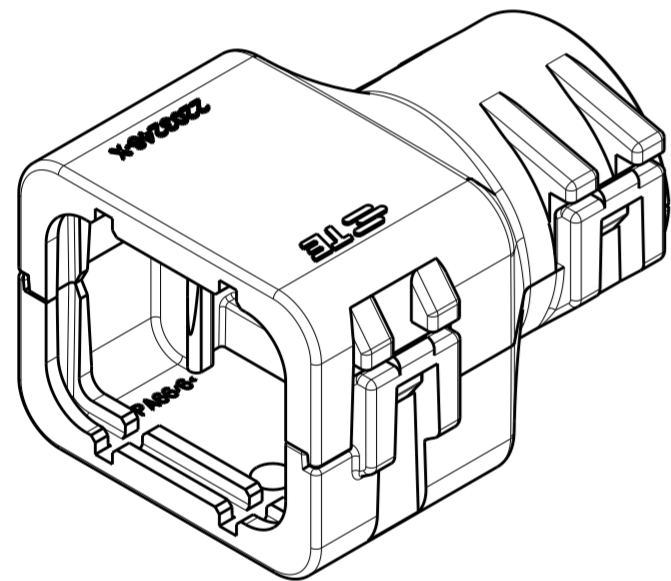
REVISIONS					
P	LTR	DESCRIPTION	DATE	DWN	APVD
	A	RELEASED PER ECO-15-010501	17JUL2015	JM	RB
	A1	REV PER ECO-16-008350	02JUN2016	JM	RB
	A2	REV PER ECO-16-013256	08SEP2016	JM	RB



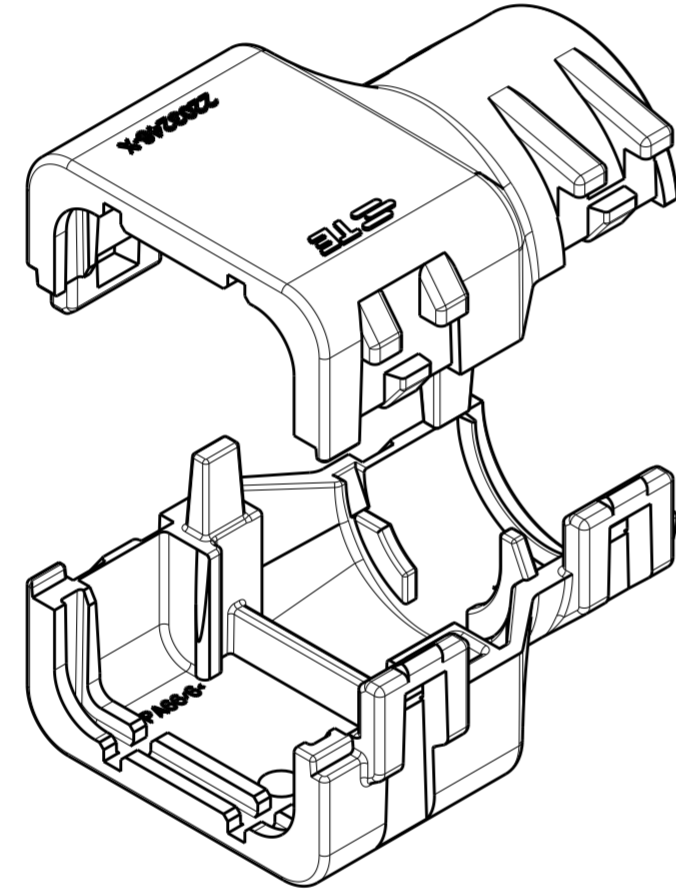
2292863-1  
ASSEMBLED ISOMETRIC VIEW SHOWN



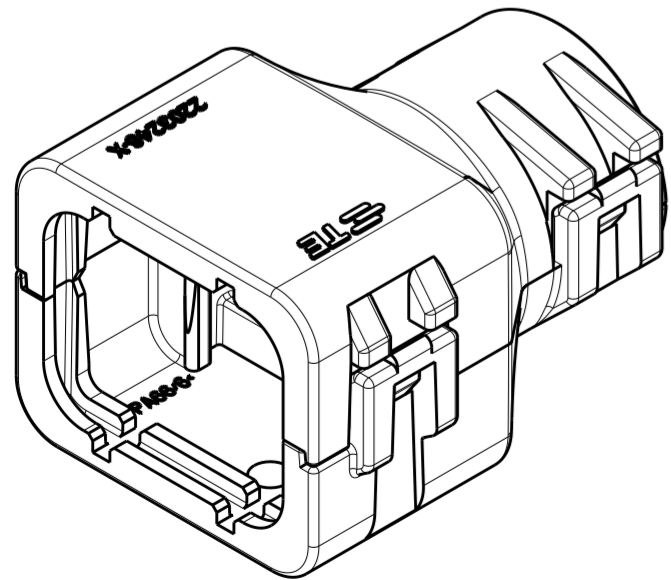
2292863-1  
EXPLODED ISOMETRIC VIEW SHOWN



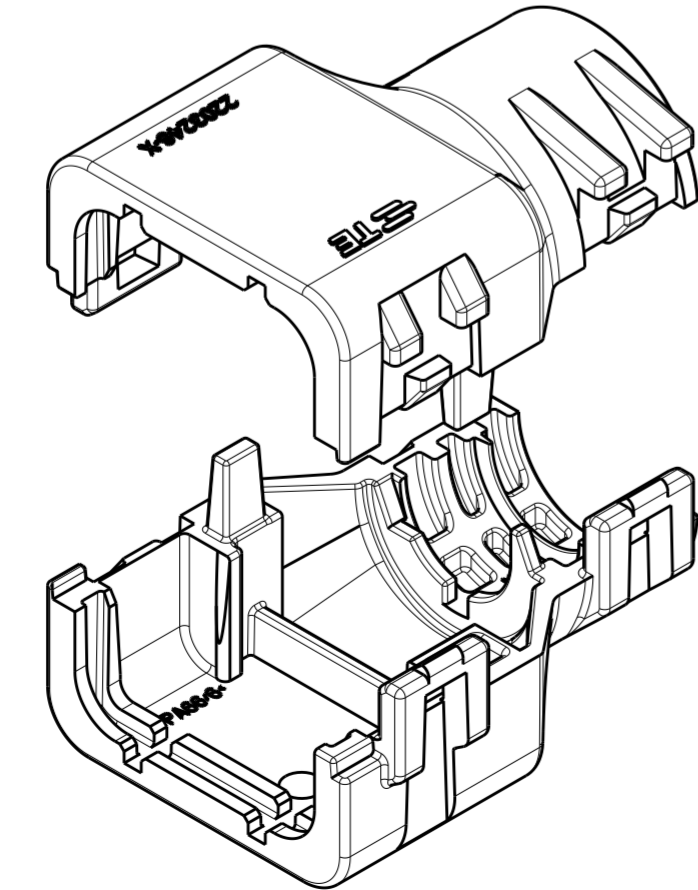
2292863-2  
ASSEMBLED ISOMETRIC VIEW SHOWN



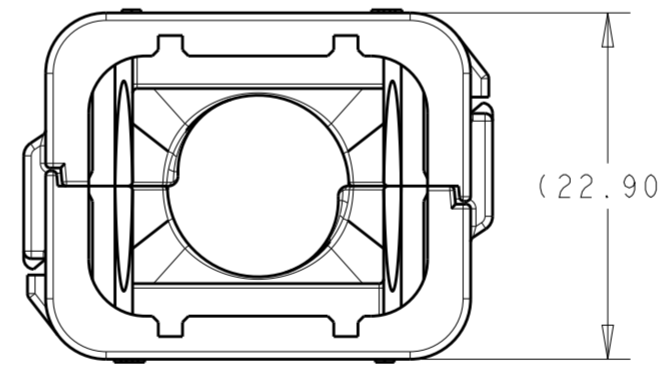
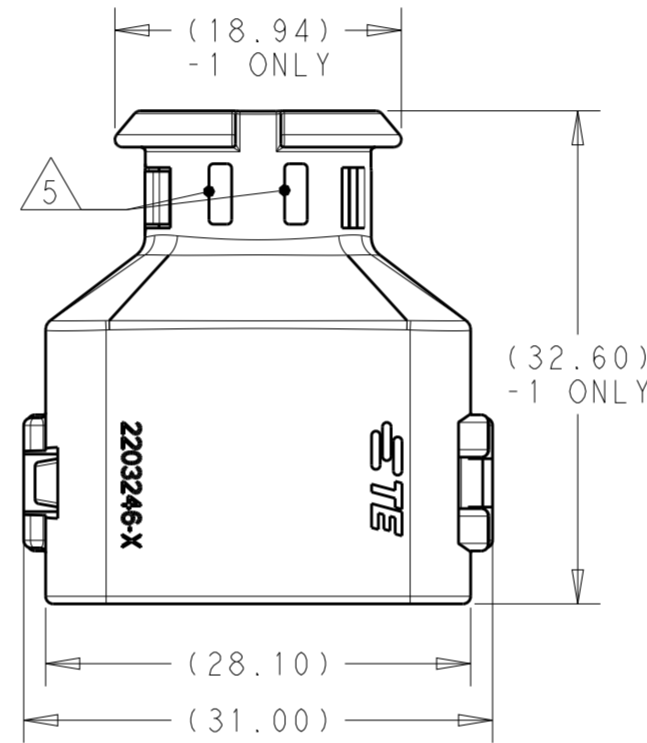
2292863-2  
EXPLODED ISOMETRIC VIEW SHOWN



2292863-3  
ASSEMBLED ISOMETRIC VIEW SHOWN

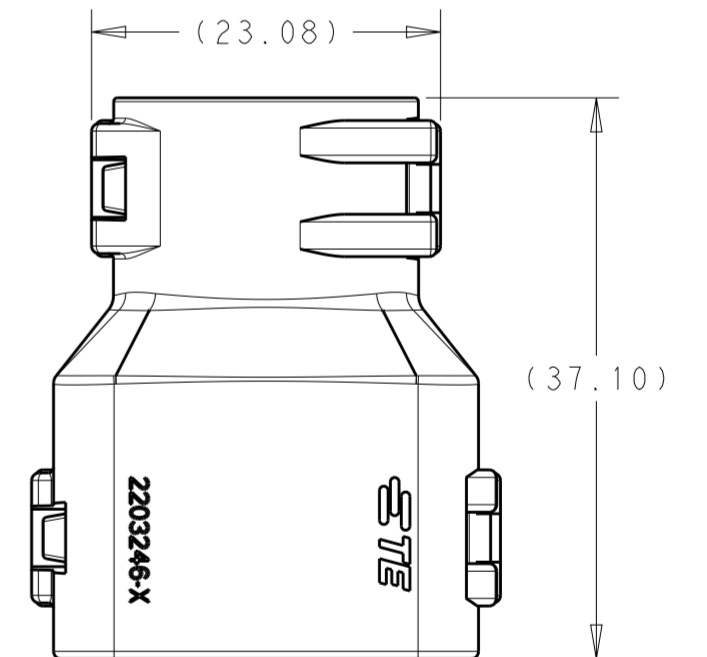
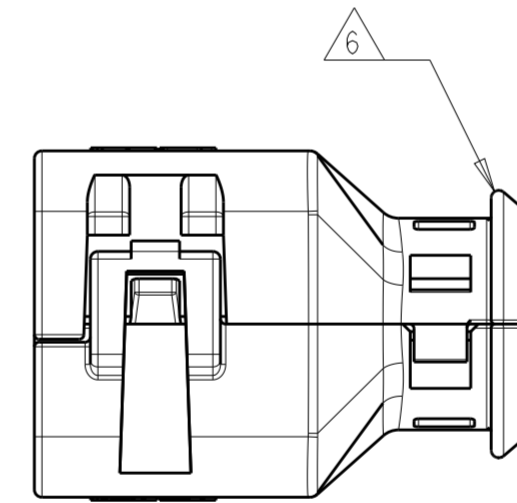


2292863-3  
EXPLODED ISOMETRIC VIEW SHOWN



2292863-1  
ASSEMBLED VIEW SHOWN

DIMENSIONS SHOWN TYPICAL FOR ALL PART NUMBERS <sup>3</sup>  
EXCEPT AS NOTED



2292863-2  
ASSEMBLED VIEW SHOWN

DIMENSIONS SHOWN TYPICAL FOR -2 AND -3 ONLY <sup>3</sup>

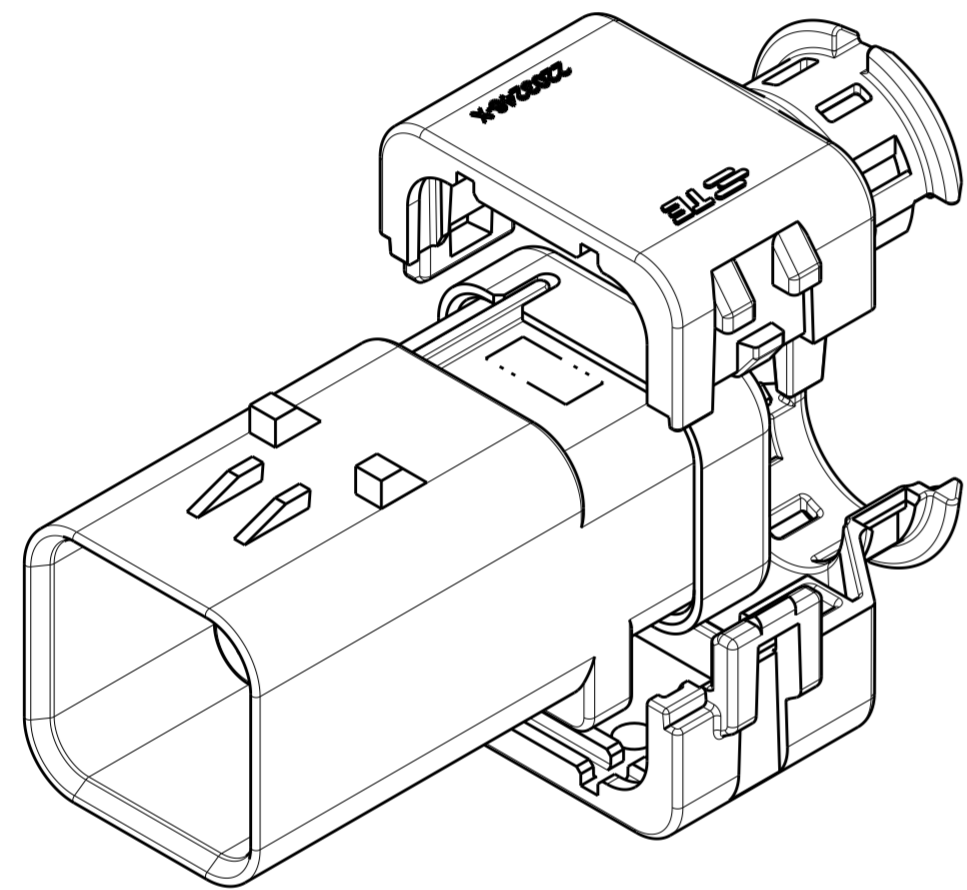
- <sup>1</sup> MATERIAL: NYLON MOLDING COMPOUND, BLACK, PA66/6.
- <sup>2</sup> BACKSHELL DESIGNED SUCH THAT TWO HALVES ATTACH TO ONE ANOTHER AND CLAMP AROUND THE CONNECTOR COVER.
- <sup>3</sup> DIMENSIONS TO BE MEASURED WHEN BACKSHELLS ASSEMBLED.
- <sup>4</sup> PRODUCT WEIGHTS:  
2292863-1: 5.34g ASSEMBLED  
2292863-2: 6.72g ASSEMBLED  
2292863-3: 7.30g ASSEMBLED
- <sup>5</sup> 4mm WIDE SLOTS FOR TIE WRAP TO SECURE HARNESS WIRES (-1 ONLY).
- <sup>6</sup> HEAT SHRINK TUBING RETENTION FEATURE (-1 ONLY).
- 7. INSTRUCTION SHEET: 408-151043.
- 8. CONDUIT PROFILE: NORMAL ONLY.

776434-X	NC12	NW10	2292863-3
776537-X	NC16	NW13	2292863-2
	SMOOTH	SMOOTH	2292863-1
FITS ON CAP ASSY	CORREGATE NC	CORREGATE NW	PART NUMBER
	CONDUIT SIZE		

THIS DRAWING IS A CONTROLLED DOCUMENT.		DWN J. MCNEAL 09JUN2015	TE Connectivity	
DIMENSIONS: mm [INCHES]		CHK R. BALTER 09JUN2015		
TOLERANCES UNLESS OTHERWISE SPECIFIED:		APVD R. BALTER 09JUN2015	NAME BACKSHELL KIT, 6 POSITION, CAP ASSY, AMPSEAL 16	
0 PLC ± 1 PLC ± 2 PLC ± 3 PLC ± 4 PLC ± ANGLES ± FINISH		PRODUCT SPEC 108-151043	SIZE A2	CAGE CODE 00779
MATERIAL - <sup>1</sup>		APPLICATION SPEC -	DRAWING NO C-2292863	RESTRICTED TO -
		WEIGHT - <sup>4</sup>	SCALE 2:1	SHEET 1 OF 2
		CUSTOMER DRAWING	REV A2	

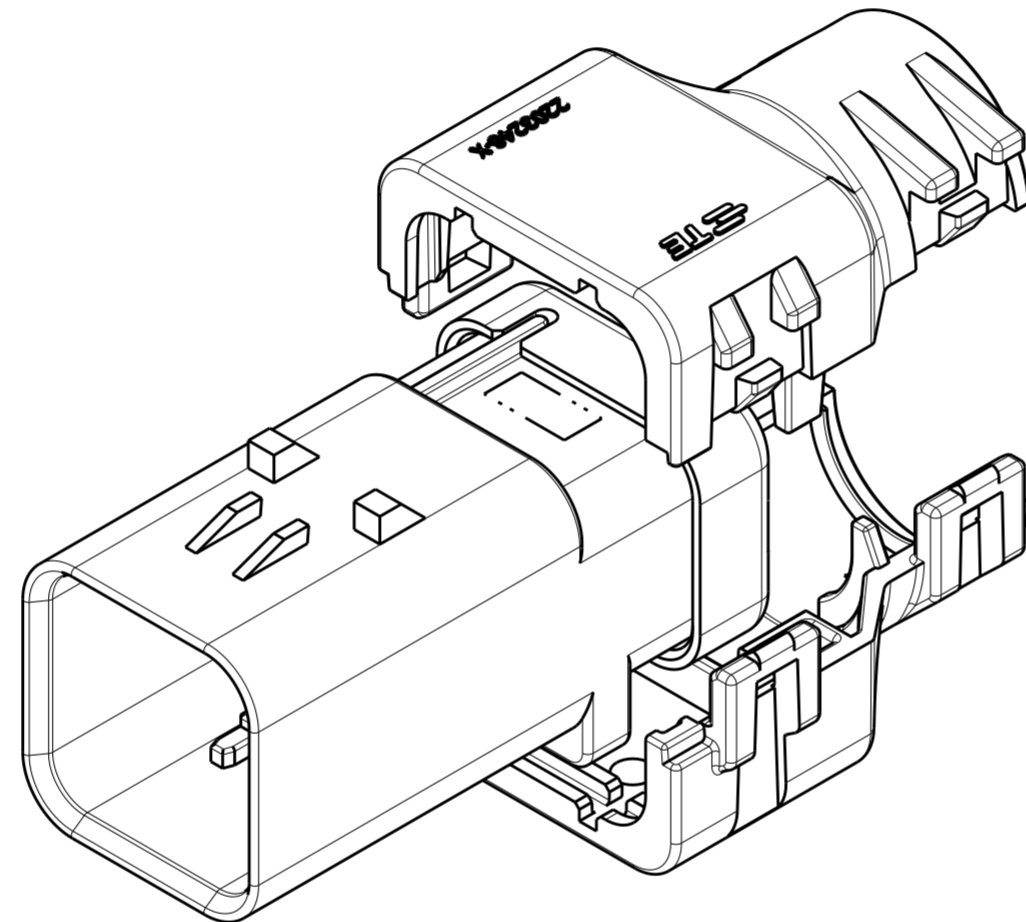
THIS DRAWING IS UNPUBLISHED. RELEASED FOR PUBLICATION 20  
 © COPYRIGHT copyright.d8te- ALL RIGHTS RESERVED.

REVISIONS				
P	LTR	DESCRIPTION	DATE	APVD
-		SEE SHEET 1	-	-



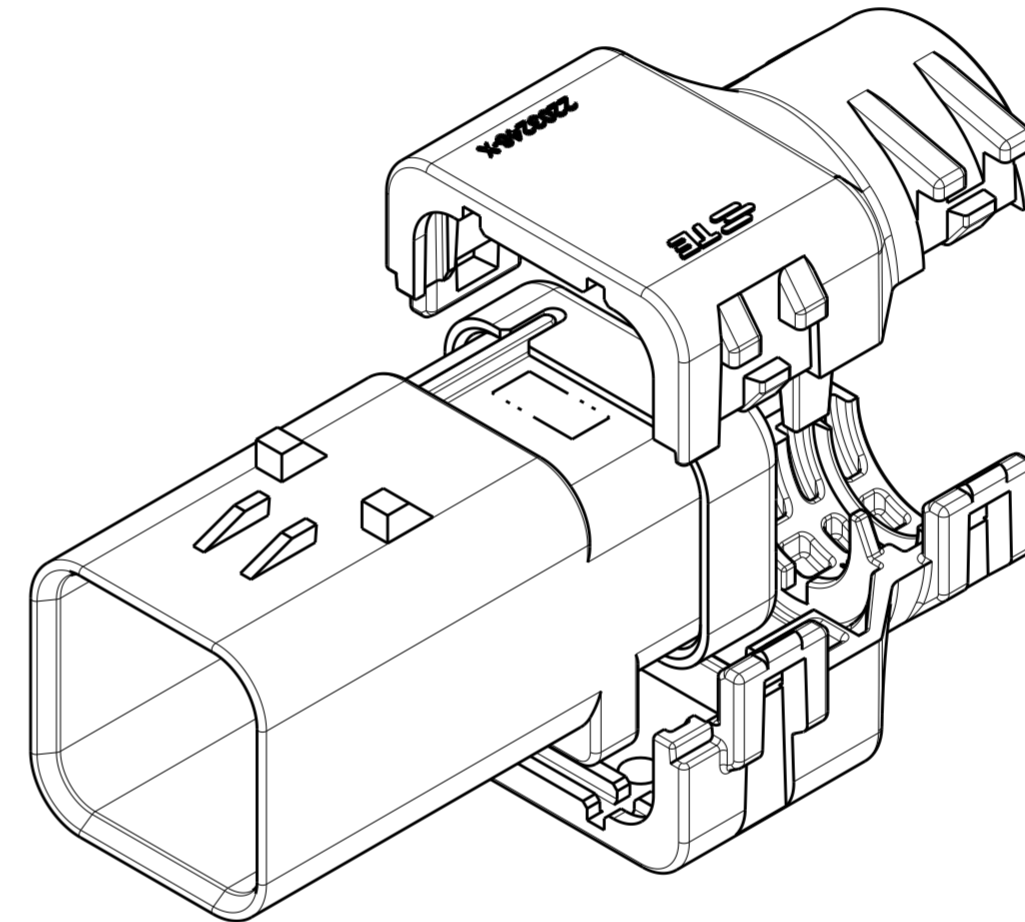
2292863-1

WITH CAP ASSEMBLY 2  
 EXPLODED ISOMETRIC VIEW SHOWN



2292863-2

WITH CAP ASSEMBLY 2  
 EXPLODED ISOMETRIC VIEW SHOWN



2292863-3

WITH CAP ASSEMBLY 2  
 EXPLODED ISOMETRIC VIEW SHOWN

THIS DRAWING IS A CONTROLLED DOCUMENT.		DWN J. MCNEAL 09 JUN 2015		
DIMENSIONS: mm [INCHES]		CHK R. BALTER 09 JUN 2015		
TOLERANCES UNLESS OTHERWISE SPECIFIED:		APVD R. BALTER 09 JUN 2015	NAME BACKSHELL KIT, 6 POSITION, CAP ASSY, AMPSEAL 16	
		PRODUCT SPEC 108-151043	RESTRICTED TO	
MATERIAL		APPLICATION SPEC	SIZE A200779	CAGE CODE C-2292863
FINISH		WEIGHT	DRAWING NO 2292863	
		CUSTOMER DRAWING	SCALE 2:1	SHEET 2 OF 2
			REV A2	