



Chipsmall Limited consists of a professional team with an average of over 10 year of expertise in the distribution of electronic components. Based in Hongkong, we have already established firm and mutual-benefit business relationships with customers from,Europe,America and south Asia,supplying obsolete and hard-to-find components to meet their specific needs.

With the principle of "Quality Parts,Customers Priority,Honest Operation,and Considerate Service",our business mainly focus on the distribution of electronic components. Line cards we deal with include Microchip,ALPS,ROHM,Xilinx,Pulse,ON,Everlight and Freescale. Main products comprise IC,Modules,Potentiometer,IC Socket,Relay,Connector.Our parts cover such applications as commercial,industrial, and automotives areas.

We are looking forward to setting up business relationship with you and hope to provide you with the best service and solution. Let us make a better world for our industry!



Contact us

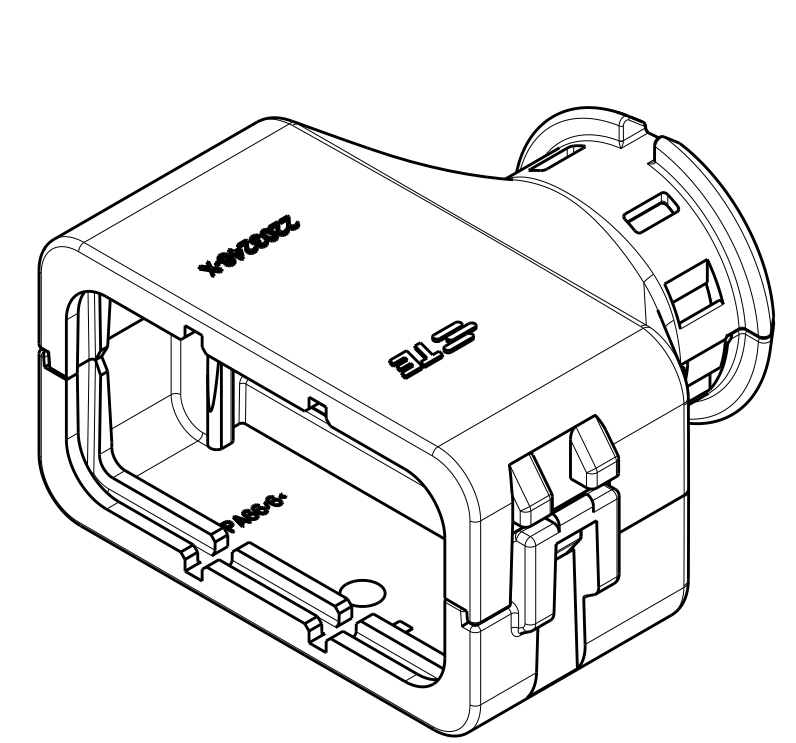
Tel: +86-755-8981 8866 Fax: +86-755-8427 6832

Email & Skype: info@chipsmall.com Web: www.chipsmall.com

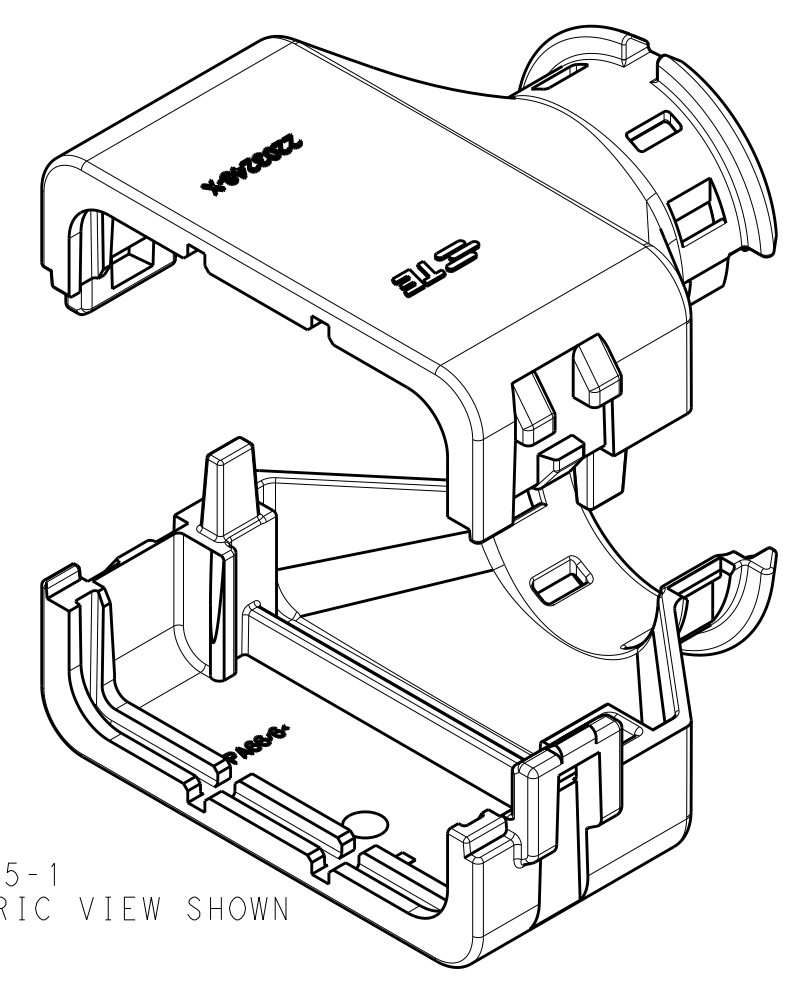
Address: A1208, Overseas Decoration Building, #122 Zhenhua RD., Futian, Shenzhen, China



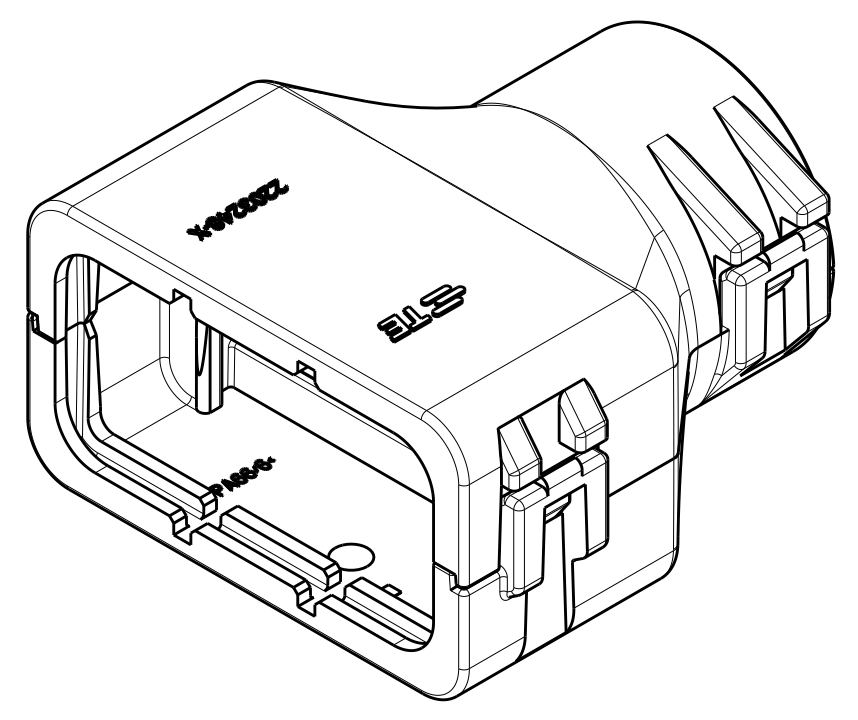
REVISIONS				
P.	LTN	DESCRIPTION	DATE	APPROV
A		RELEASED PER ECO-15-010501	17JUL2015	JM RB
A1		REV PER ECO-16-008350	02JUN2016	JM RB
A2		REV PER ECO-16-013256	08SEP2016	JM RB



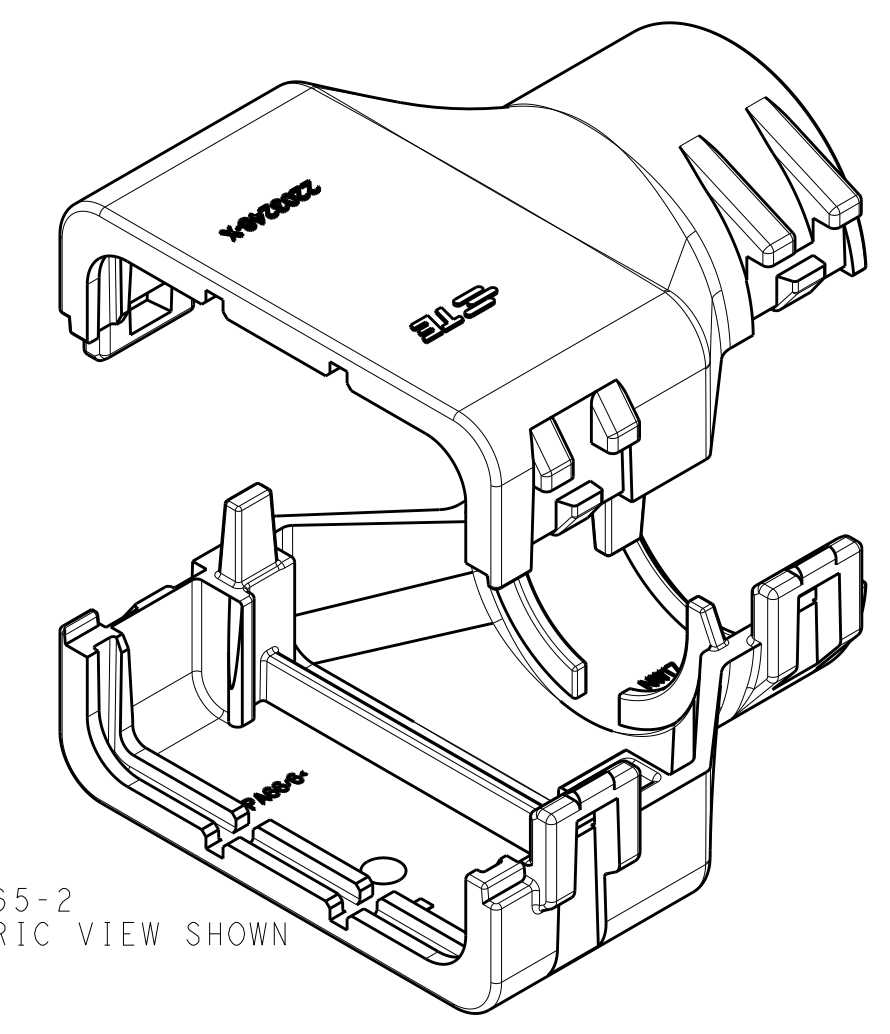
2292865-1
ASSEMBLED ISOMETRIC VIEW SHOWN



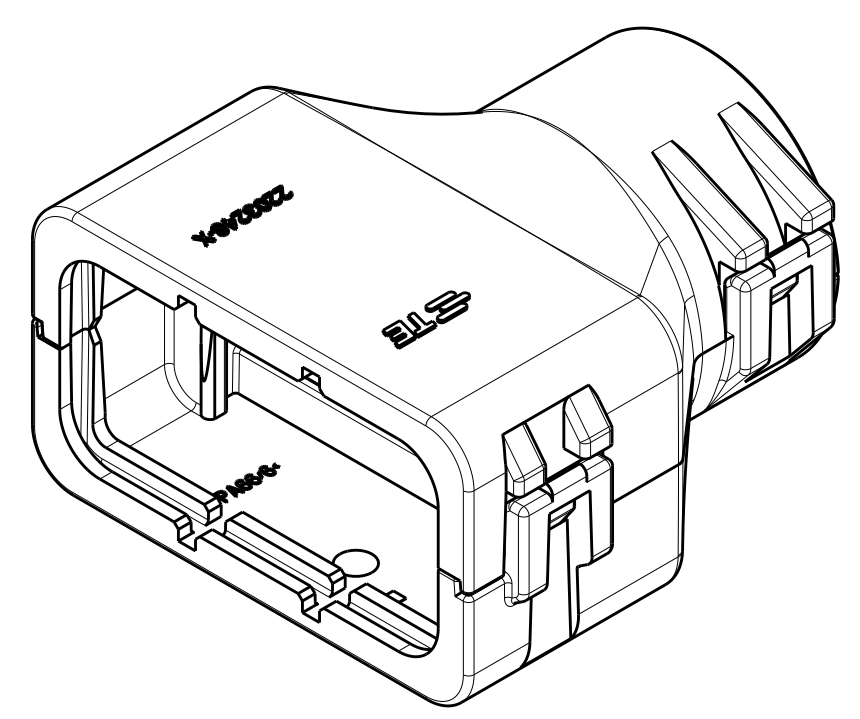
2292865-1
EXPLODED ISOMETRIC VIEW SHOWN



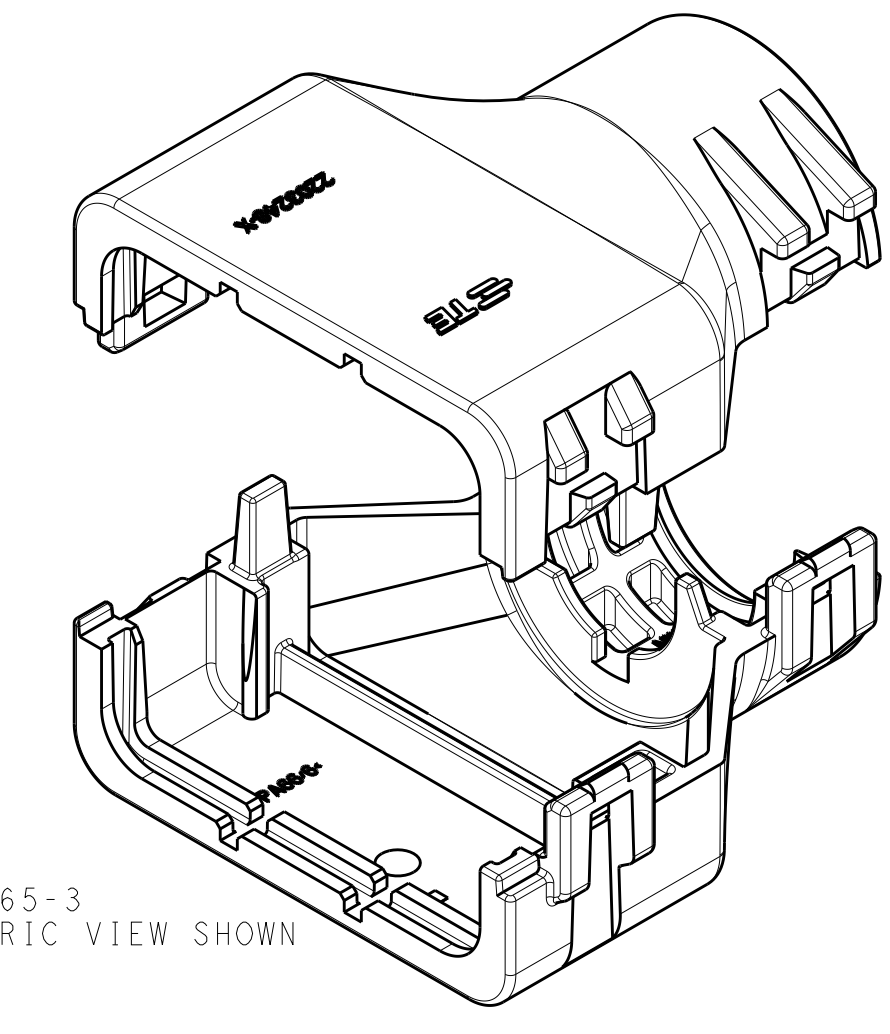
2292865-2
ASSEMBLED ISOMETRIC VIEW SHOWN



2292865-2
EXPLODED ISOMETRIC VIEW SHOWN

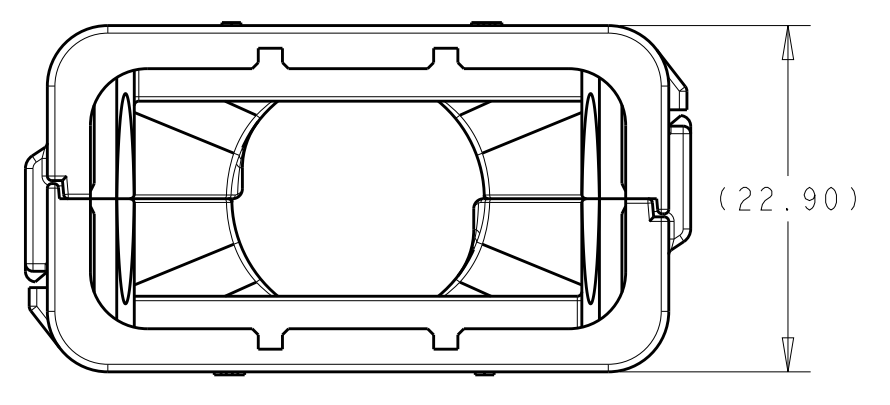
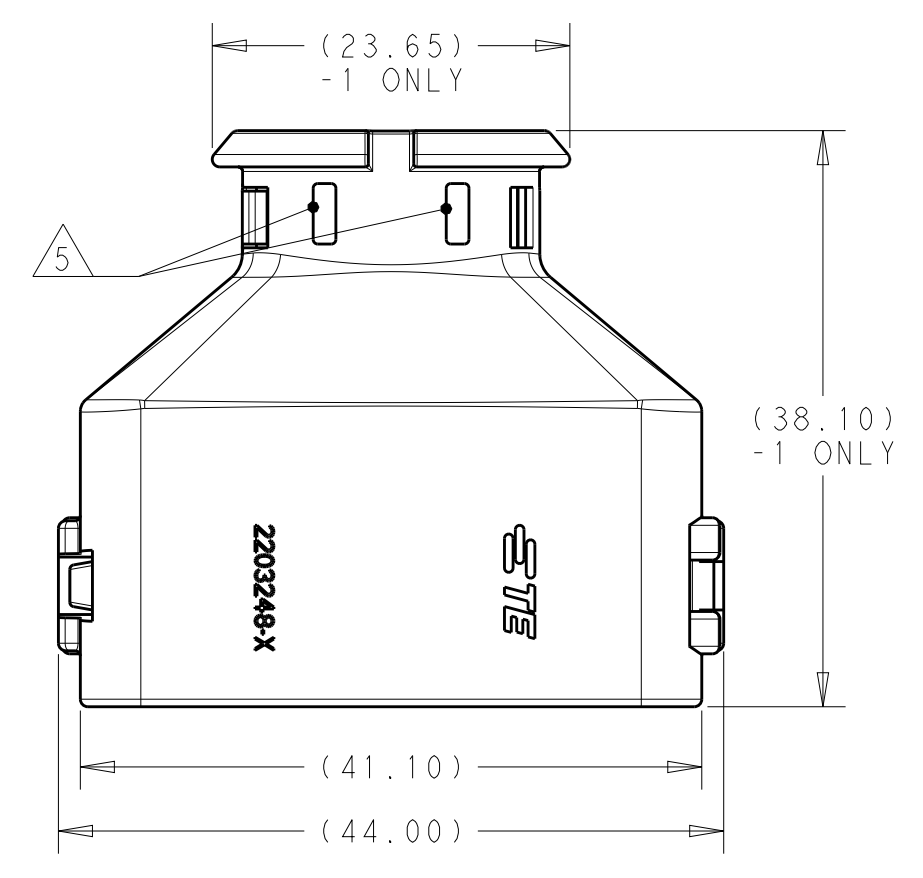


2292865-3
ASSEMBLED ISOMETRIC VIEW SHOWN



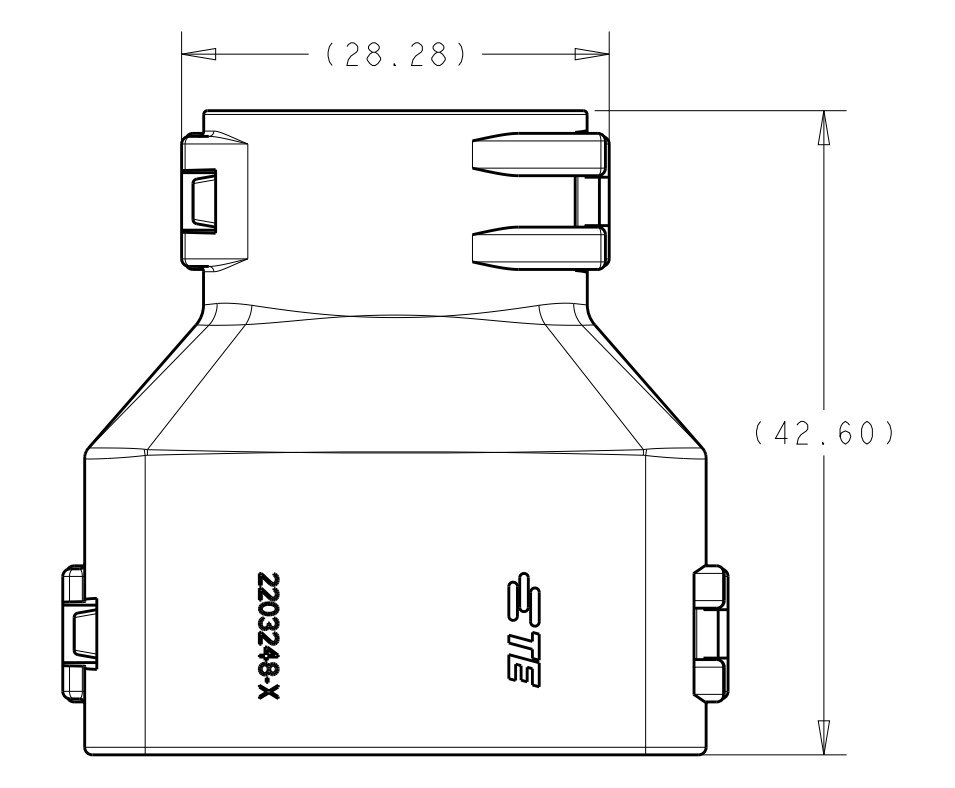
2292865-3
EXPLODED ISOMETRIC VIEW SHOWN

- 1 MATERIAL: NYLON MOLDING COMPOUND, BLACK, PA66/6.
- 2 BACKSHELL DESIGNED SUCH THAT TWO HALVES ATTACH TO ONE ANOTHER AND CLAMP AROUND THE CONNECTOR COVER.
- 3 DIMENSIONS TO BE MEASURED WHEN BACKSHELLS ASSEMBLED.
- 4 PRODUCT WEIGHTS:
2292865-1: 7.56g ASSEMBLED
2292865-2: 9.40g ASSEMBLED
2292865-3: 10.72g ASSEMBLED
- 5 4mm WIDE SLOTS FOR TIE WRAP TO SECURE HARNESS WIRES (-1 ONLY).
- 6 HEAT SHRINK TUBING RETENTION FEATURE (-1 ONLY).
- 7. INSTRUCTION SHEET: 408-151043.
- 8. CONDUIT PROFILE: NORMAL ONLY.



2292865-1
ASSEMBLED VIEW SHOWN

DIMENSIONS SHOWN TYPICAL FOR ALL PART NUMBERS EXCEPT AS NOTED



2292865-2
ASSEMBLED VIEW SHOWN

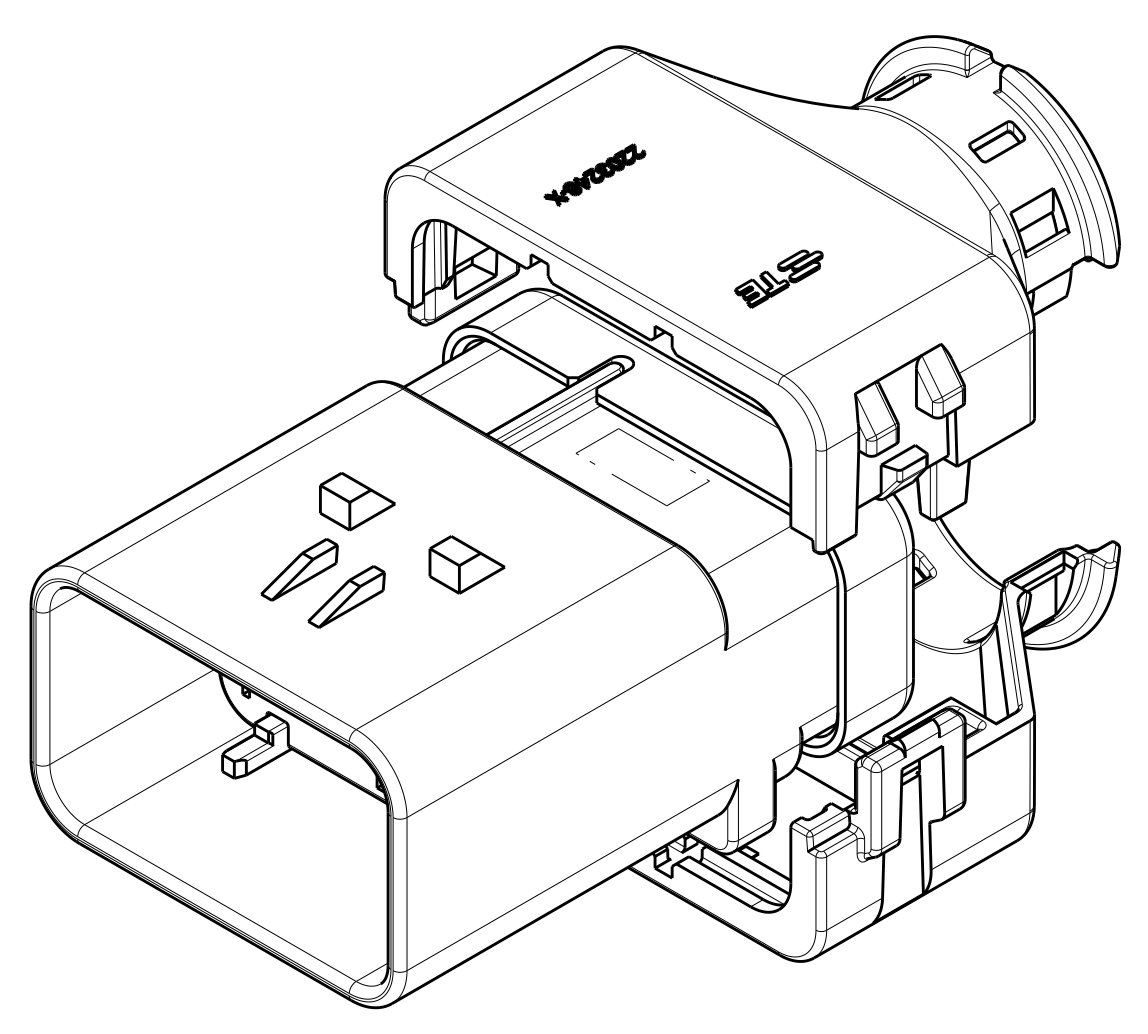
DIMENSIONS SHOWN TYPICAL FOR -2 AND -3 ONLY

776438-X	NC16	NW13	2292865-3
776539-X	NC20	NW17	2292865-2
	SMOOTH	SMOOTH	2292865-1
FITS ON CAP ASSY	CORREGATE NC	CORREGATE NW	PART NUMBER
	CONDUIT SIZE		

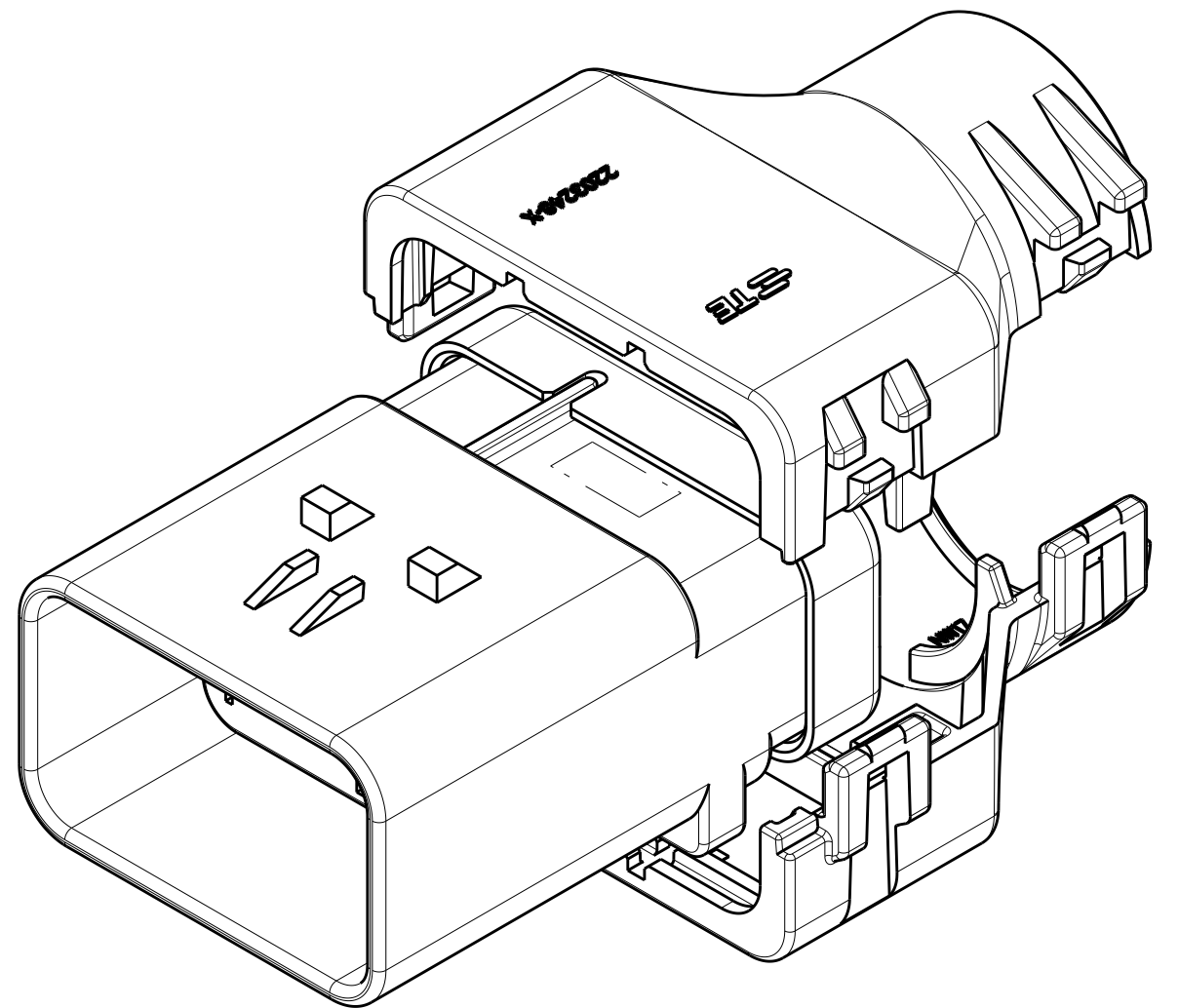
THIS DRAWING IS A CONTROLLED DOCUMENT.		DWN J MCNEAL 22JUN2015 CHK R BALTER 22JUN2015 APVD R BALTER 22JUN2015	STE TE Connectivity	
DIMENSIONS: mm [INCHES] TOLERANCES UNLESS OTHERWISE SPECIFIED: 0 PLC ± 1 PLC ± 2 PLC ± 3 PLC ± 4 PLC ± ANGLES ± FINISH ±		NAME BACKSHELL KIT, 12 POSITION, CAP ASSY AMPSEAL 16 PRODUCT SPEC 108-151043 APPLICATION SPEC	SIZE CAGE CODE DRAWING NO RESTRICTED TO WEIGHT 4 A100779C=2292865 CUSTOMER DRAWING SCALE 2:1 SHEET 1 OF 2 REV A2	

THIS DRAWING IS UNPUBLISHED. RELEASED FOR PUBLICATION 20
 © COPYRIGHT 20 BY - ALL RIGHTS RESERVED.

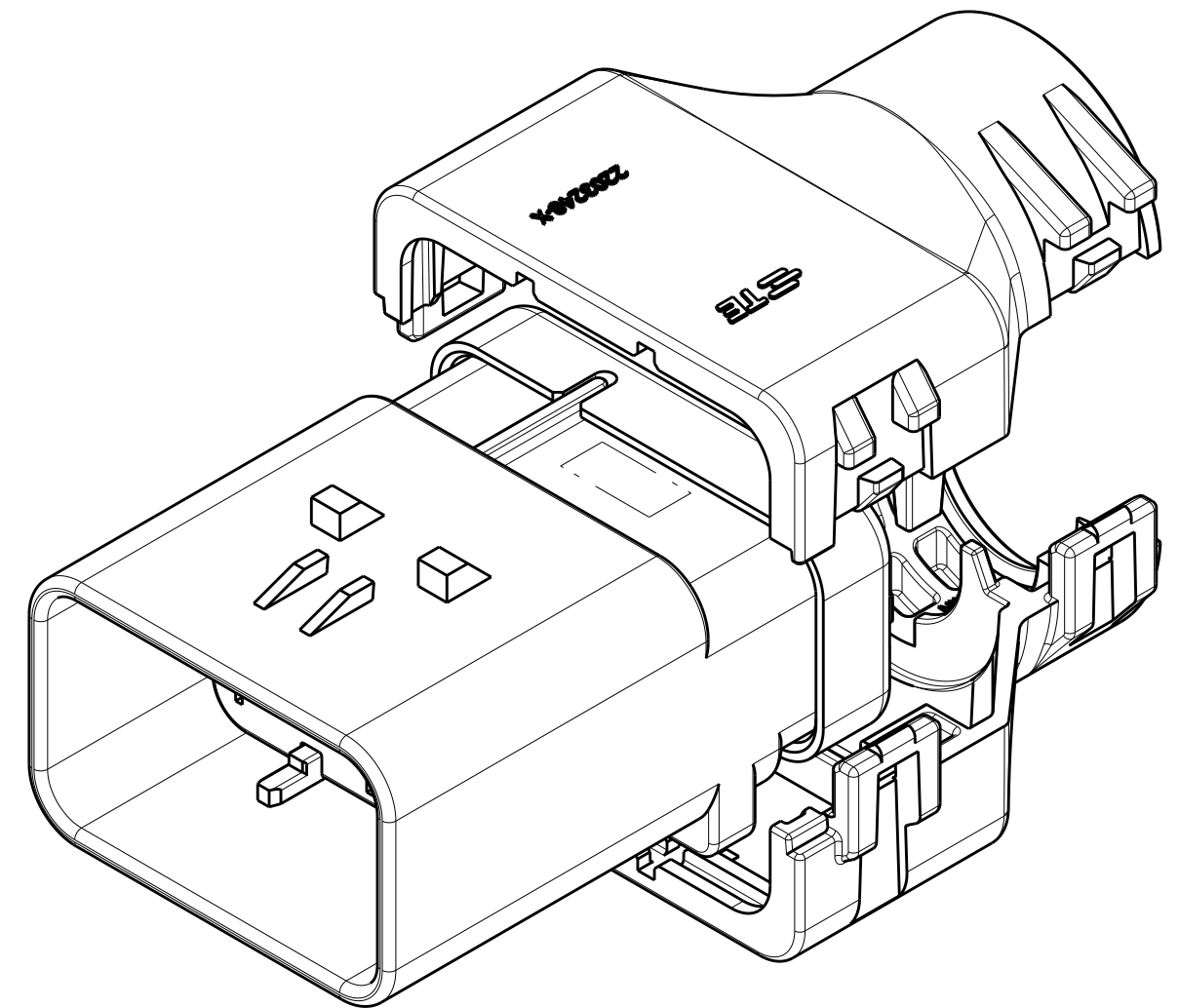
REVISIONS				
P.	LTN	DESCRIPTION	DATE	APVD
-		SEE SHEET 1	-	-



2292865-1
 WITH CAP ASSEMBLY 2
 EXPLODED ISOMETRIC VIEW SHOWN



2292865-2
 WITH CAP ASSEMBLY 2
 EXPLODED ISOMETRIC VIEW SHOWN



2292865-3
 WITH CAP ASSEMBLY 2
 EXPLODED ISOMETRIC VIEW SHOWN

THIS DRAWING IS A CONTROLLED DOCUMENT.		DWN J. MCNEAL 22JUN2015 CHK R. BALTER 22JUN2015 APVD R. BALTER 22JUN2015		
DIMENSIONS: mm [INCHES]	TOLERANCES UNLESS OTHERWISE SPECIFIED:	PRODUCT SPEC 108-151043 APPLICATION SPEC	NAME BACKSHELL KIT, 12 POSITION, CAP ASSY AMPSEAL 16	
	0 PLC ± 1 PLC ± 2 PLC ± 3 PLC ± 4 PLC ± ANGLES ±	SIZE CAGE CODE DRAWING NO A100779 C=2292865	RESTRICTED TO	
MATERIAL	FINISH	WEIGHT	CUSTOMER DRAWING SCALE 2:1 SHEET 2 OF 2 REV A2	