



Chipsmall Limited consists of a professional team with an average of over 10 year of expertise in the distribution of electronic components. Based in Hongkong, we have already established firm and mutual-benefit business relationships with customers from,Europe,America and south Asia,supplying obsolete and hard-to-find components to meet their specific needs.

With the principle of “Quality Parts,Customers Priority,Honest Operation,and Considerate Service”,our business mainly focus on the distribution of electronic components. Line cards we deal with include Microchip,ALPS,ROHM,Xilinx,Pulse,ON,Everlight and Freescale. Main products comprise IC,Modules,Potentiometer,IC Socket,Relay,Connector.Our parts cover such applications as commercial,industrial, and automotives areas.

We are looking forward to setting up business relationship with you and hope to provide you with the best service and solution. Let us make a better world for our industry!



## Contact us

Tel: +86-755-8981 8866 Fax: +86-755-8427 6832

Email & Skype: info@chipsmall.com Web: www.chipsmall.com

Address: A1208, Overseas Decoration Building, #122 Zhenhua RD., Futian, Shenzhen, China

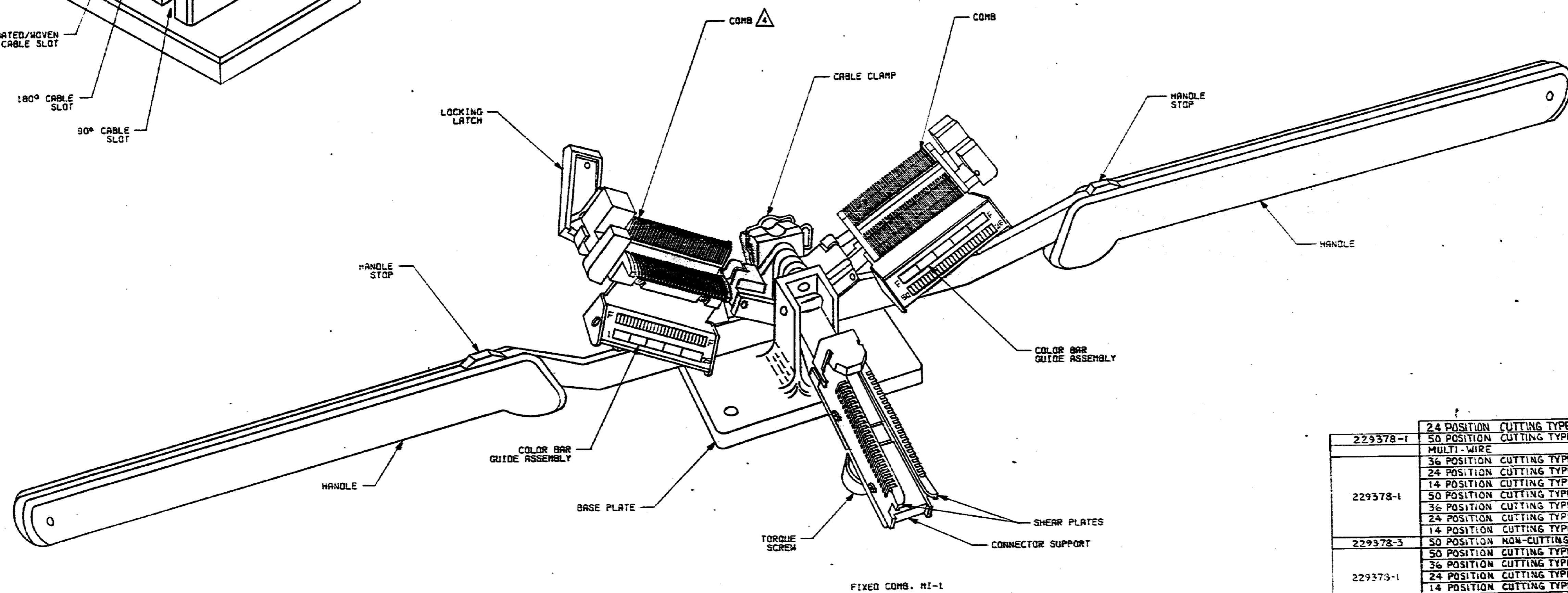
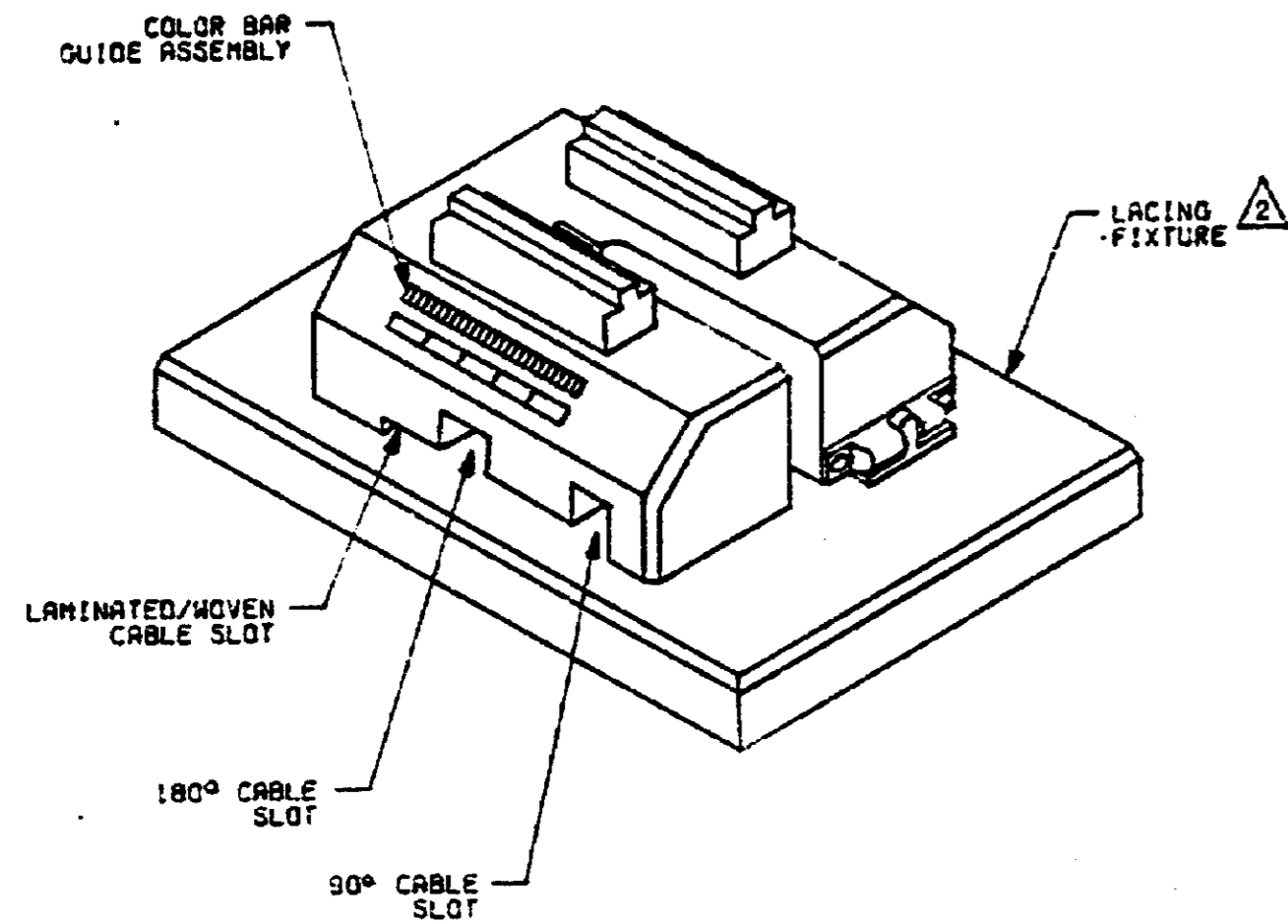


DRAWING MADE IN THIRD ANGLE PROJECTION

RELEASED FOR PUBLICATION

REVISED		DATE	APPROVED
AC1	REVISED PER ECO-11-005294	06APR 11	HMR

- 1. SEPARABLE COMB KIT, PART NUMBER 230327-1. CONTAINS 6 SEPARABLE COMBS AND IS OPTIONAL.
- ⚠ LACING FIXTURE, PART NUMBER 230328-1. IS OPTIONAL.
- ⚠ INACTIVE - FOR REPLACEMENT ONLY.
- ⚠ COMBS MAY BE UTILIZED ON THE TOOL OR REMOVED FOR REMOTE LACING ON THE OPTIONAL FIXTURE.



REPLACED BY	DESCRIPTION	PART NO.
229378-1	24 POSITION CUTTING TYPE, SEPARABLE COMB, TEEF	2-229378-2
	50 POSITION CUTTING TYPE, SEPARABLE COMB, LOW EFFORT	2-229378-1
	MULTI-WIRE	2-229378-0
	36 POSITION CUTTING TYPE, SEPARABLE COMB	1-229378-9
	24 POSITION CUTTING TYPE, SEPARABLE COMB	1-229378-8
	14 POSITION CUTTING TYPE, SEPARABLE COMB	1-229378-7
	50 POSITION CUTTING TYPE, LOW EFFORT	1-229378-5
	36 POSITION CUTTING TYPE	1-229378-4
	24 POSITION CUTTING TYPE	1-229378-3
	14 POSITION CUTTING TYPE	1-229378-2
	50 POSITION NON-CUTTING TYPE	1-229378-1
	50 POSITION CUTTING TYPE, SEPARABLE COMB	1-229378-0
	36 POSITION CUTTING TYPE, SEPARABLE COMB	229378-9
	24 POSITION CUTTING TYPE, SEPARABLE COMB	229378-8
	14 POSITION CUTTING TYPE, SEPARABLE COMB	229378-7
	50 POSITION CUTTING TYPE	229378-6
	50 POSITION CUTTING, LOW EFFORT	229378-5
	HALF-TAP TOOL	229378-3
	14 TO 50 POSITION STANDARD TOOL	229378-1

UNLESS OTHERWISE SPECIFIED DIMENSIONS ARE IN INCHES		CONTRACT NO.		TE Connectivity	
TOLERANCES ARE:		DATE			
DECIMALS: —		6-23-82		NAME <b>ASSEMBLY, TOOL, MI-1 (CHAMP)</b>	
ANGLES: —		APPD			
MATERIAL		DATE		SIZE	
		6-23-82		D 00779	
FINISH		OTHER APPD		DRAWING NO.	
				229378	
				SCALE 1:1	
				SHEET 1 OF 1	

CUSTOMER DRAWING