



Chipsmall Limited consists of a professional team with an average of over 10 year of expertise in the distribution of electronic components. Based in Hongkong, we have already established firm and mutual-benefit business relationships with customers from,Europe,America and south Asia,supplying obsolete and hard-to-find components to meet their specific needs.

With the principle of "Quality Parts,Customers Priority,Honest Operation,and Considerate Service",our business mainly focus on the distribution of electronic components. Line cards we deal with include Microchip,ALPS,ROHM,Xilinx,Pulse,ON,Everlight and Freescale. Main products comprise IC,Modules,Potentiometer,IC Socket,Relay,Connector.Our parts cover such applications as commercial,industrial, and automotives areas.

We are looking forward to setting up business relationship with you and hope to provide you with the best service and solution. Let us make a better world for our industry!



Contact us

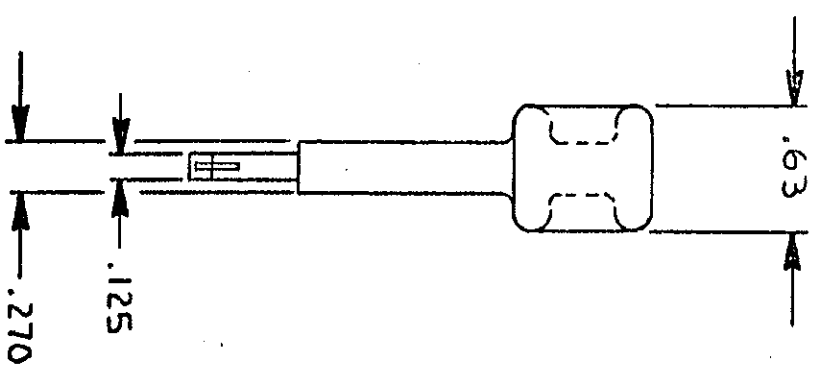
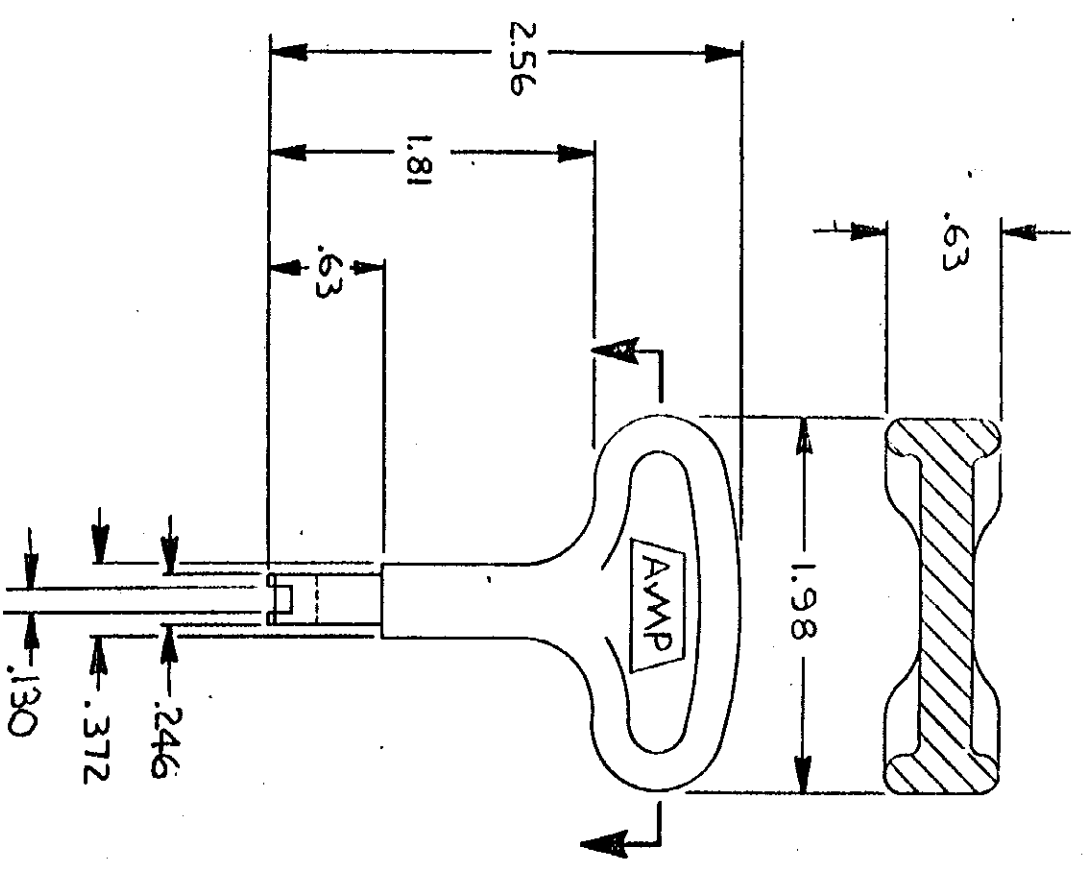
Tel: +86-755-8981 8866 Fax: +86-755-8427 6832

Email & Skype: info@chipsmall.com Web: www.chipsmall.com

Address: A1208, Overseas Decoration Building, #122 Zhenhua RD., Futian, Shenzhen, China



© COPYRIGHT 1978 BY AMP INCORPORATED, HARRISBURG, PA.
 ALL INTERNATIONAL RIGHTS RESERVED. AMP INCORPORATED PRODUCTS
 COVERED BY U. S. AND FOREIGN PATENTS AND/OR PATENTS PENDING.



1. ALL DIM. SHOWN ARE FOR REF ONLY.

229384-1 AS SHOWN

REVOLUTIONS		REVISIONS		LOC	DATE	DIST
P	F	ZONE	LTR	DESCRIPTION	DATE	APPROVED
0	✓		0	ASFD	6-13-78	RS

UNLESS OTHERWISE SPECIFIED DIMENSIONS ARE IN INCHES. DECIMALS IN ANGLES ± .1		CONTRACT NO		NAME	
MATERIAL BLACK NYLON		DR <i>Randy Orvino</i> 6-13-78		AMP INCORPORATED Harrisburg, Pa.	
FINISH //		CHK <i>PK</i> 6-14-78		TOOL, INSERTION, HAND	
APPD		APPD		SIZE B	
DSGN APPD		DSGN APPD		CODE IDENT NO 00779	
OTHER APPD		OTHER APPD		DRAWING NO 229384	
				SCALE 1/1	
		PART NO		SHEET 1 OF 1	

CUSTOMER DRAWING