



Chipsmall Limited consists of a professional team with an average of over 10 year of expertise in the distribution of electronic components. Based in Hongkong, we have already established firm and mutual-benefit business relationships with customers from,Europe,America and south Asia,supplying obsolete and hard-to-find components to meet their specific needs.

With the principle of "Quality Parts,Customers Priority,Honest Operation,and Considerate Service",our business mainly focus on the distribution of electronic components. Line cards we deal with include Microchip,ALPS,ROHM,Xilinx,Pulse,ON,Everlight and Freescale. Main products comprise IC,Modules,Potentiometer,IC Socket,Relay,Connector.Our parts cover such applications as commercial,industrial, and automotives areas.

We are looking forward to setting up business relationship with you and hope to provide you with the best service and solution. Let us make a better world for our industry!



Contact us

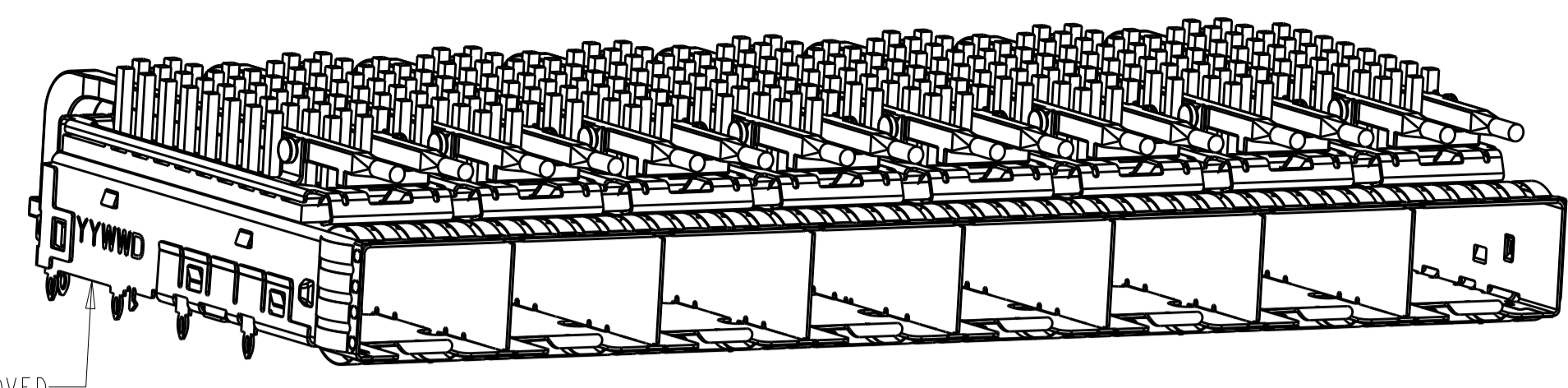
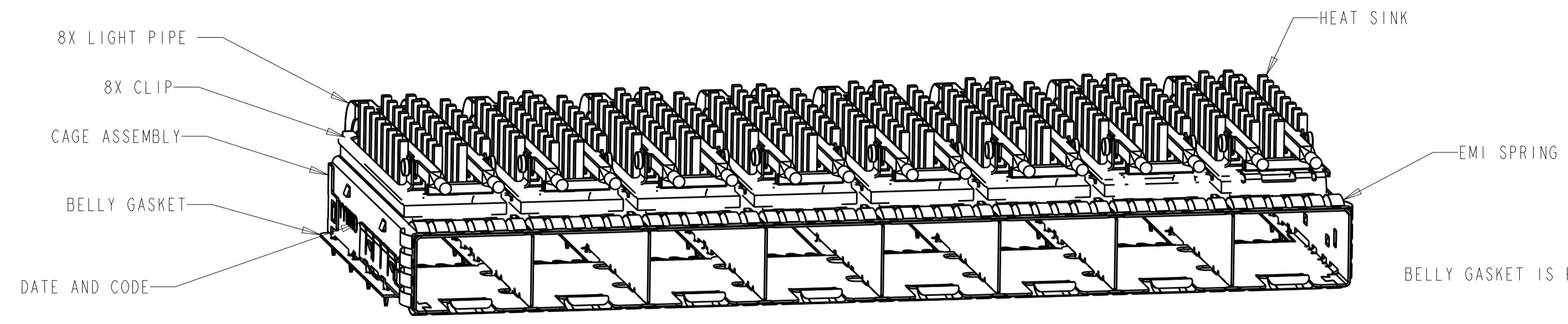
Tel: +86-755-8981 8866 Fax: +86-755-8427 6832

Email & Skype: info@chipsmall.com Web: www.chipsmall.com

Address: A1208, Overseas Decoration Building, #122 Zhenhua RD., Futian, Shenzhen, China



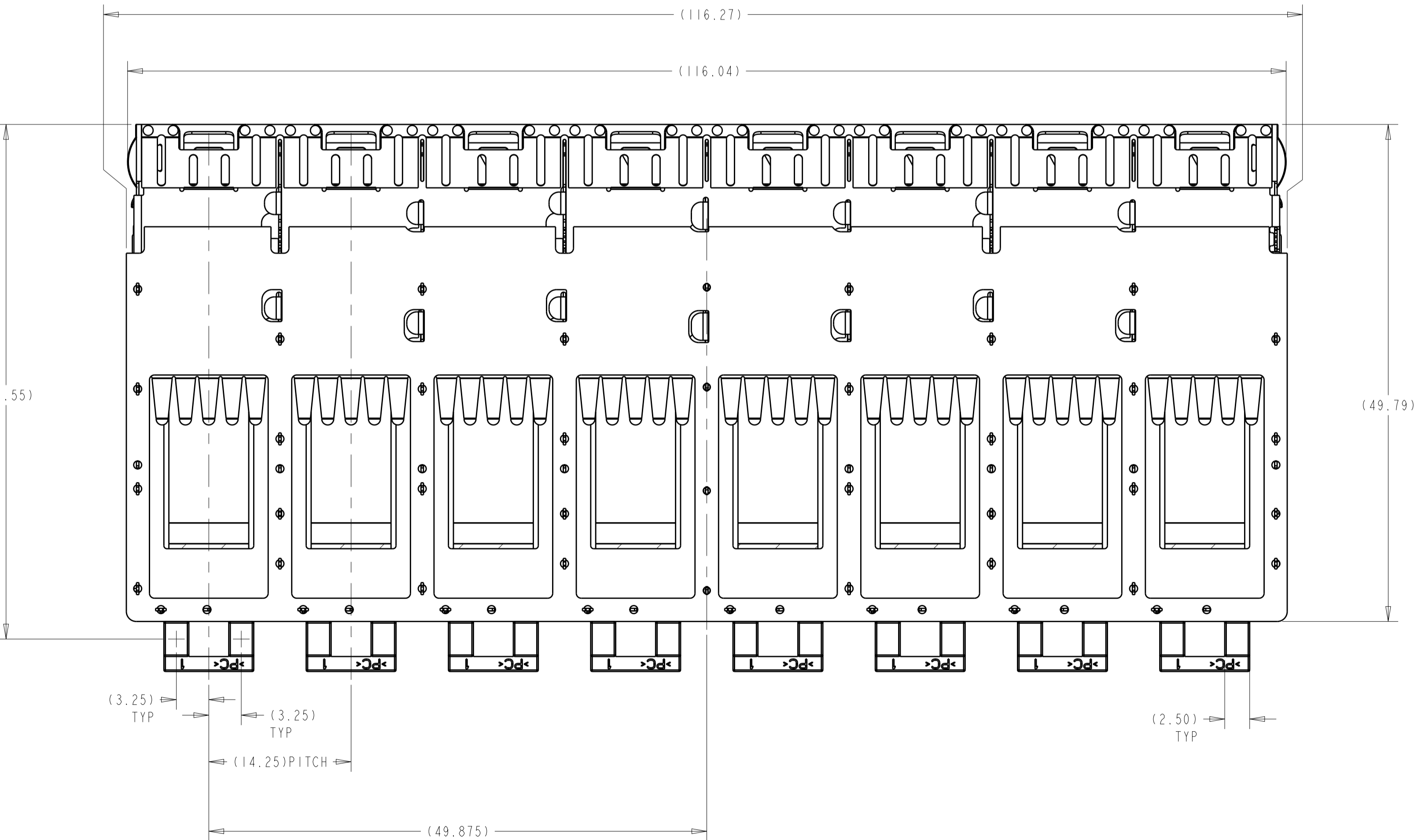
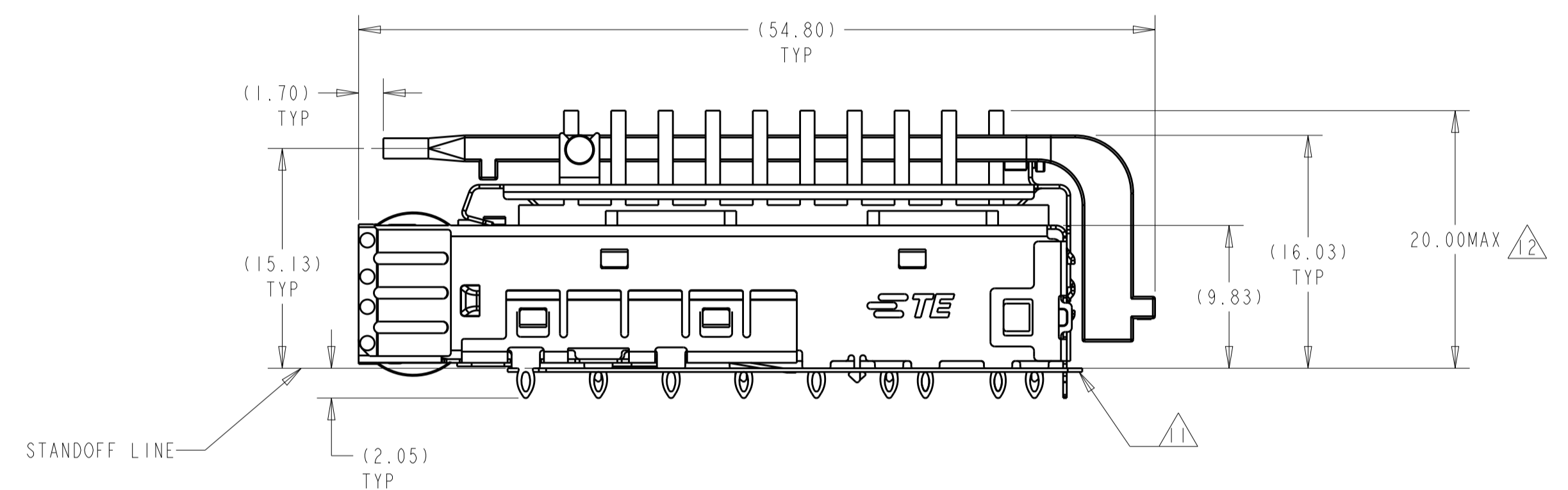
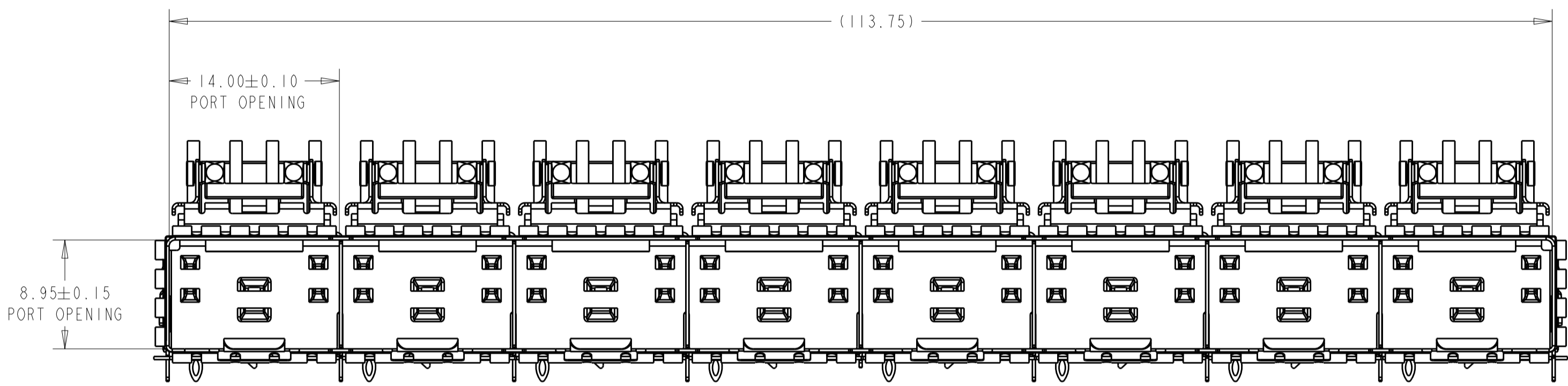
LOC	DIST	REVISIONS			
P	LTN	DESCRIPTION	DATE	OWN	APVD
A		RELEASE TO PRODUCTION	21APR2016	KO	SH
B		REVISED PER ECO-16-014593	14FEB2017	JW	SH



SCALE 2:1

1-2294408-1, DIMENSIONS SAME AS 2294408-1
SCALE 2:1

2294408-1
SCALE 3:1



- 1 MATERIAL:
CAGE ASSEMBLY: NICKEL SILVER ALLOY, (0.25mm)
PCB GASKET: RF ABSORBER
EMI SPRINGS: PHOSPHOR BRONZE
LIGHT PIPE&HEATSINK CLIP: STAINLESS STEEL
LIGHT PIPE: POLYCARBONATE, CLEAR
HEATSINK: ALUMINUM
- 2 MINIMUM PC BOARD THICKNESS:
SINGLE SIDE = 1.45mm
BELLY TO BELLY = 2.25mm
- 3 PADS AND VIAS CHASSIS GROUND
- 4 DATUM AND BASIC DIMENSION ESTABLISHED BY CUSTOMER
- 5. MATES WITH SFP MSA COMPLIANT TRANSCEIVERS
- 6. INTERPRETATION OF DATUM REFERENCE FRAME IN ACCORDANCE WITH SECT 4.4.1.1 OF ASME Y14.5M-1994
- 7 REFERENCE APPLICATION SPEC. 114-13120, HOLE A, FOR RECOMMENDED DRILL HOLE DIAMETER AND PLATING THICKNESS
- 8 REFERENCE APPLICATION SPEC. 114-13120, HOLE B, FOR RECOMMENDED DRILL HOLE DIAMETER AND PLATING THICKNESS
- 9 HOLE PATTERN REPEATS FOR EACH PORT, SPACING BETWEEN PORTS IS 14.25mm
- 10. PRODUCT COMPLIES WITH SPECIFICATION SFF-8433, IMPROVED PLUGGABLE FORM FACTOR FOR SFP+ GANGED CAGES
- 11 CONTACT STANDOFF WILL PIERCE GASKET WHEN PROPERLY PRESSED INTO PCB.
- 12 DIMENSION APPLIES WITH MODULE INSERTED IN CAGE.
- 13 BELLY GASKET IS REMOVED

15.0 MAX HEIGHT, PIN TYPE	NA	1-2294408-2
20.0 MAX HEIGHT, PIN TYPE	DUAL, STANDARD HEIGHT&LENGTH	1-2294408-1
17.0 MAX HEIGHT, PIN TYPE	DUAL, STANDARD HEIGHT&LENGTH	2294408-5
17.0 MAX HEIGHT, PIN TYPE	DUAL, STANDARD HEIGHT&LENGTH	2294408-4
20.0 MAX HEIGHT, PIN TYPE	DUAL, STANDARD HEIGHT&LENGTH, COATED	2294408-3
15.0 MAX HEIGHT, PIN TYPE	NA	2294408-2
20.0 MAX HEIGHT, PIN TYPE	DUAL, STANDARD HEIGHT&LENGTH	2294408-1
HEATSINK DESC	LIGHT PIPE DESC	PART NUMBER

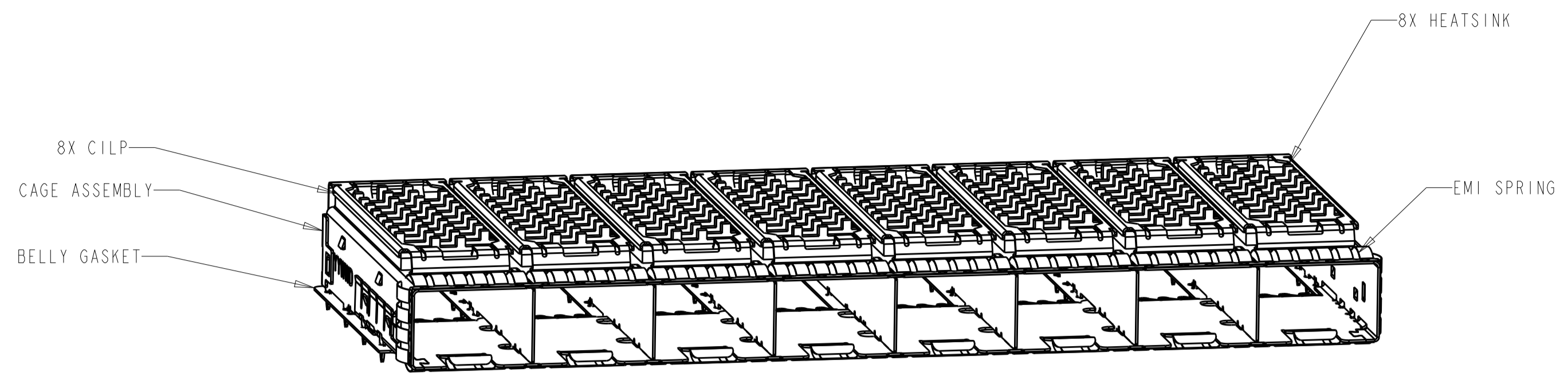
THIS DRAWING IS A CONTROLLED DOCUMENT. DIMENSIONING AND TOLERANCING PER ASME Y14.5M-2009. TOLERANCES UNLESS OTHERWISE SPECIFIED:

mm	PLC	TOLERANCE
0	PLC	±0.1
1	PLC	±0.1
2	PLC	±0.08
3	PLC	±0.05
4	PLC	±0.05
ANGLES		±0.5°

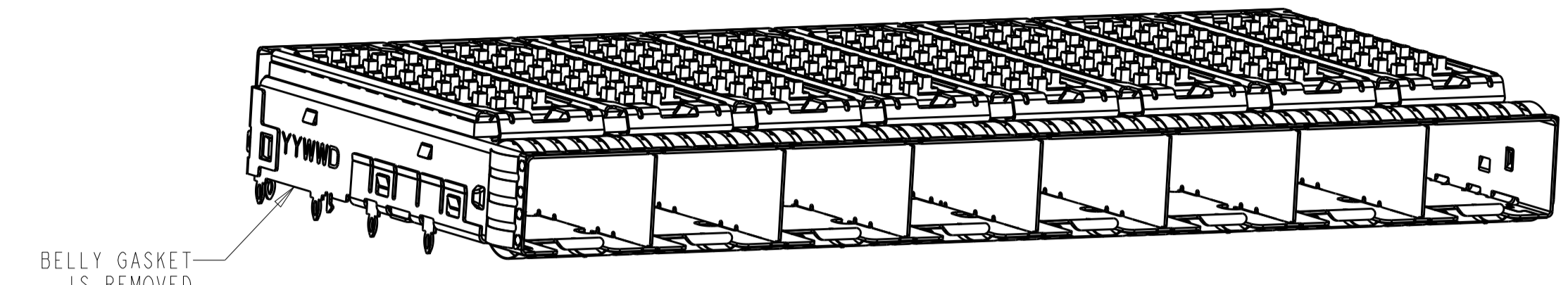
MATERIAL: SEE NOTES. FINISH: SEE NOTES.

OWN: REVIN	24JUL2015	TE Connectivity CAGE ASSEMBLY, PRESS-FIT, EMI SPRINGS, 1X8, zSFP+
CHK: SEAN HAN	24JUL2015	
APVD: SEAN HAN	24JUL2015	
NAME: SEAN HAN	24JUL2015	
PRODUCT SPEC		SIZE: A1
APPLICATION SPEC		CAGE CODE: 00779
WEIGHT		DRAWING NO: 2294408
CUSTOMER DRAWING		SCALE: 3:1
		SHEET 1 OF 6
		REV B

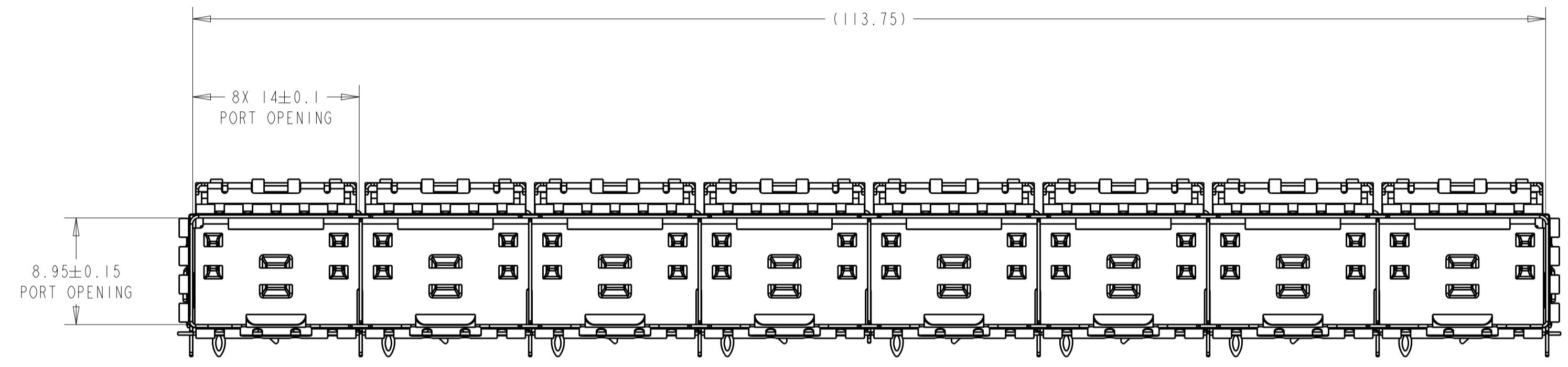
LOC	DIST	REVISIONS			
P	LYN	DESCRIPTION	DATE	OWN	APVD
GP	00	SEE SHEET 1			



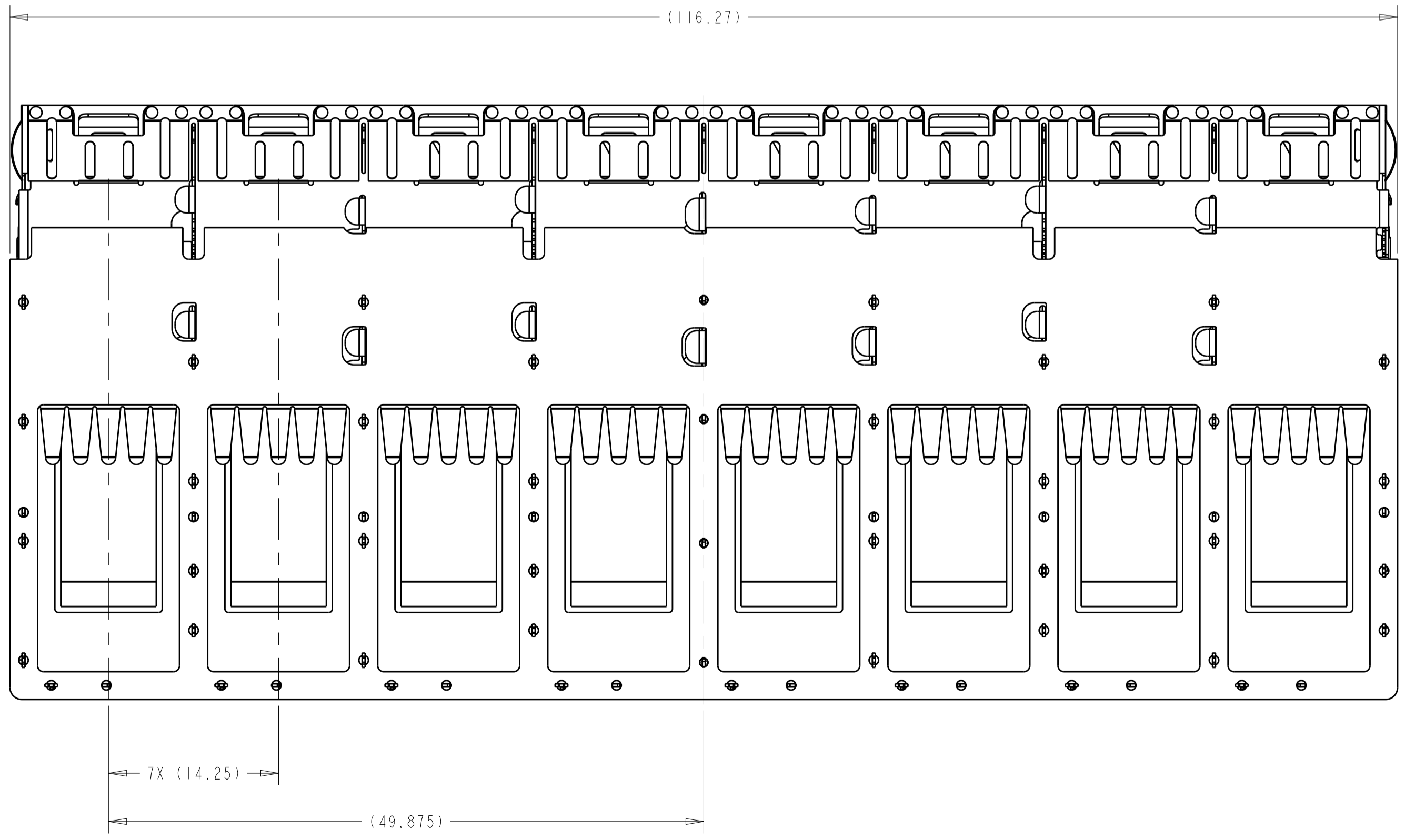
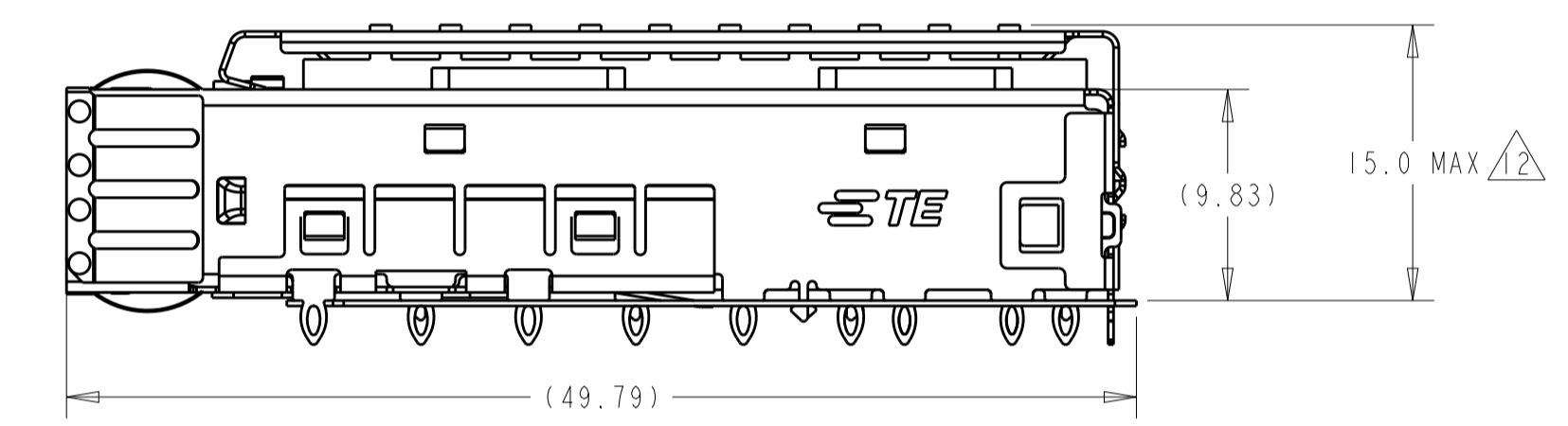
2294408-2
SCALE 2:1



BELLY GASKET IS REMOVED
 1-2294408-2, DIMENSIONS SAME AS 2294408-2
 SCALE 2:1

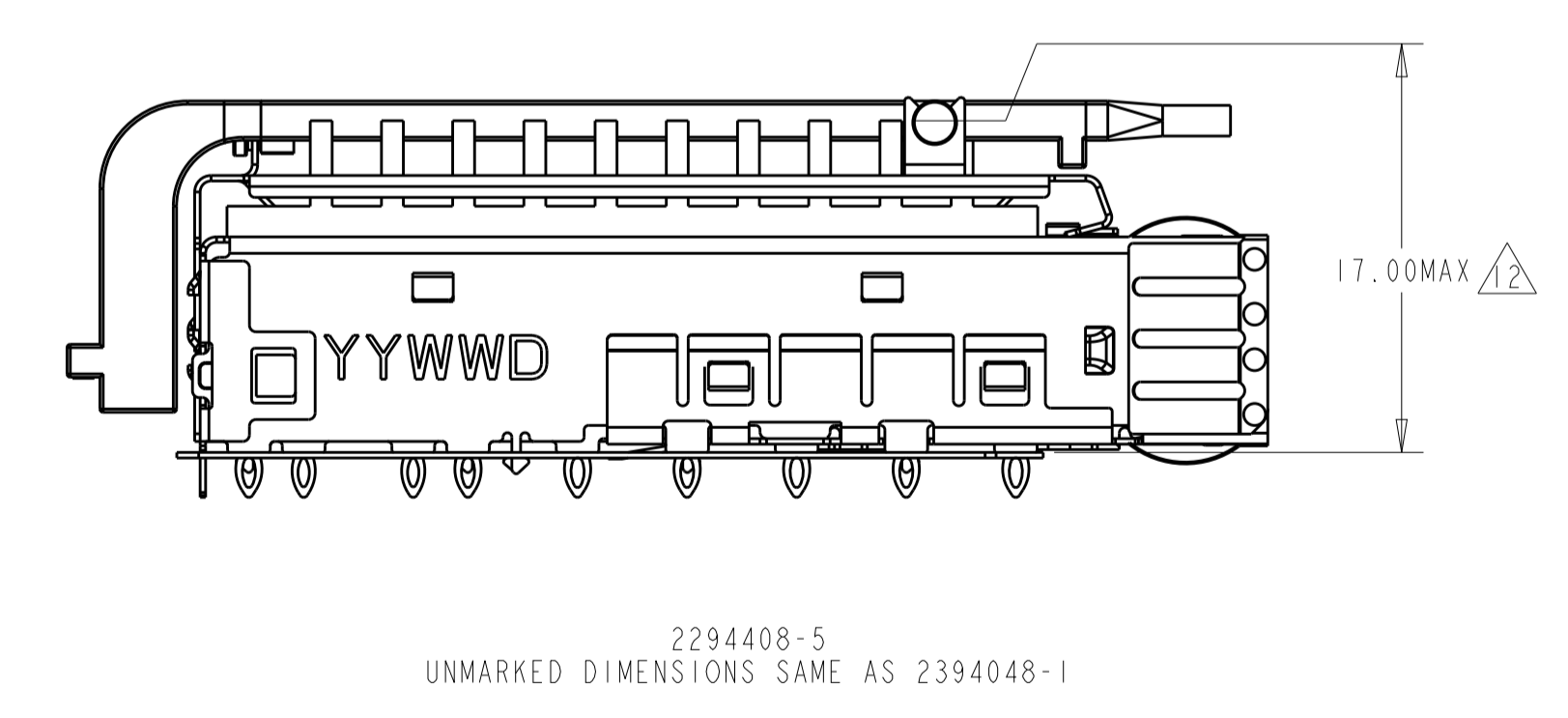
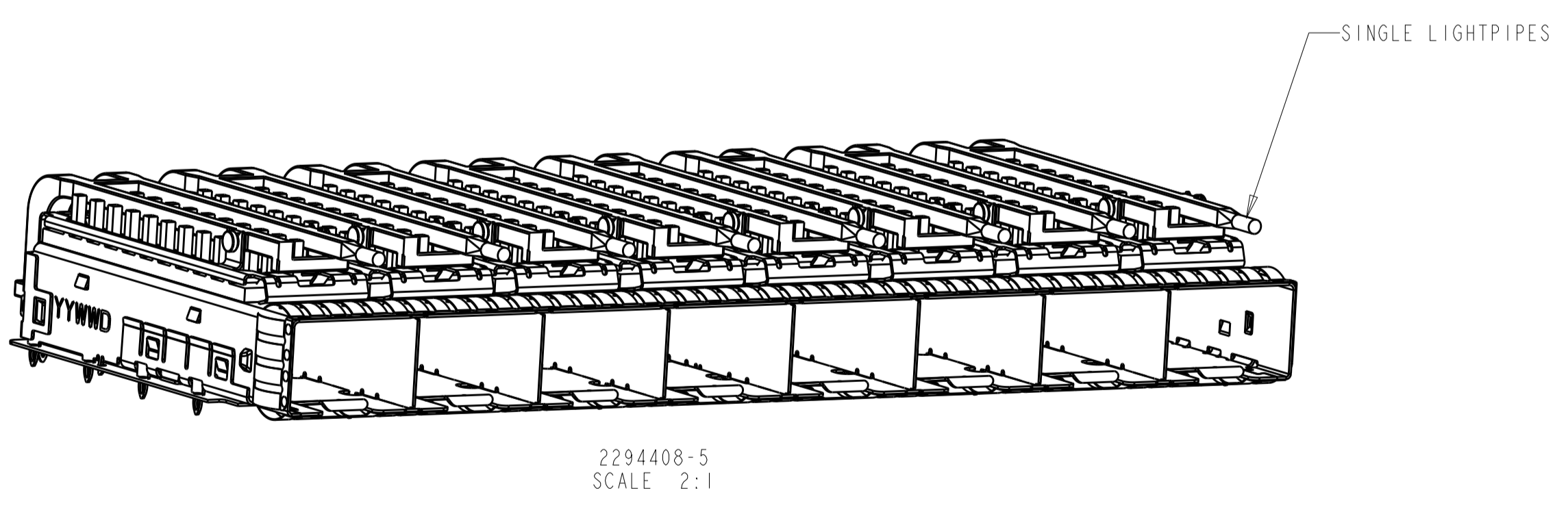
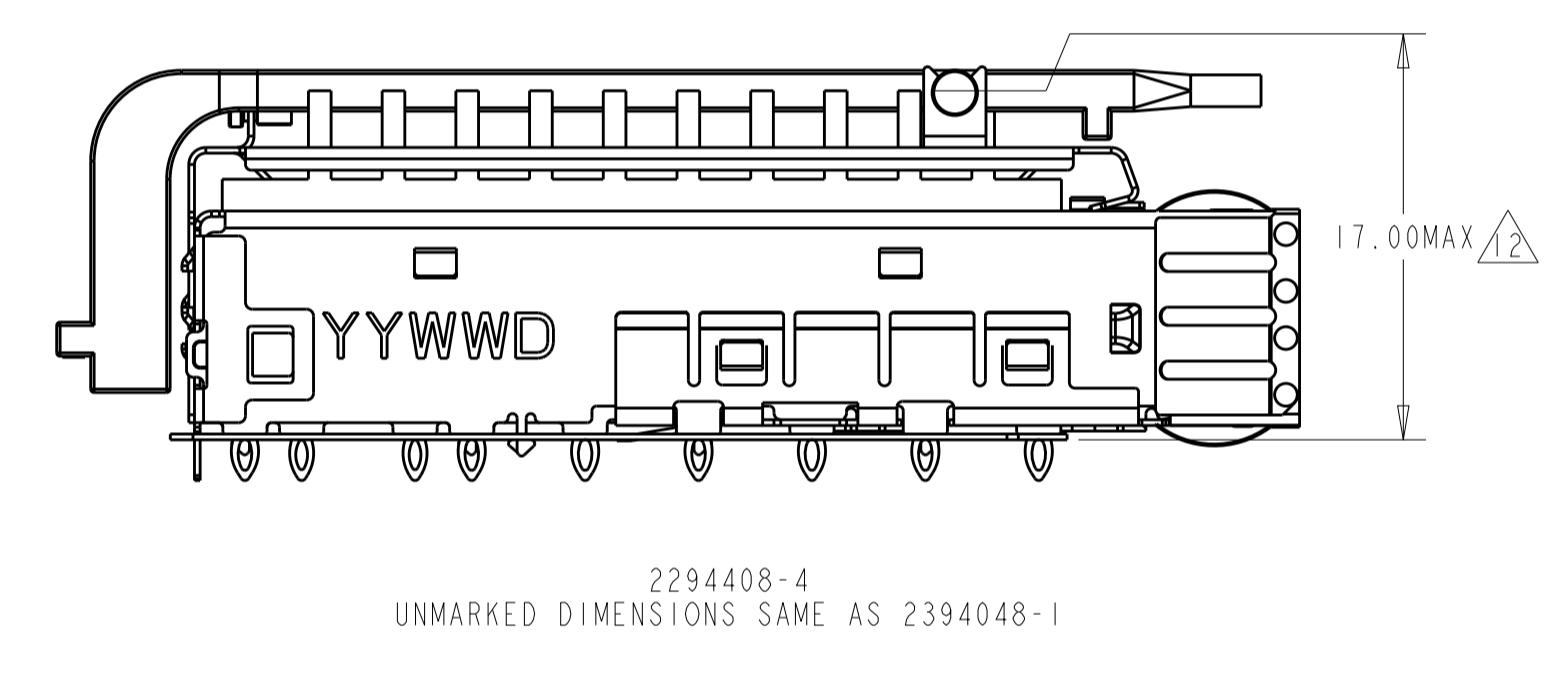
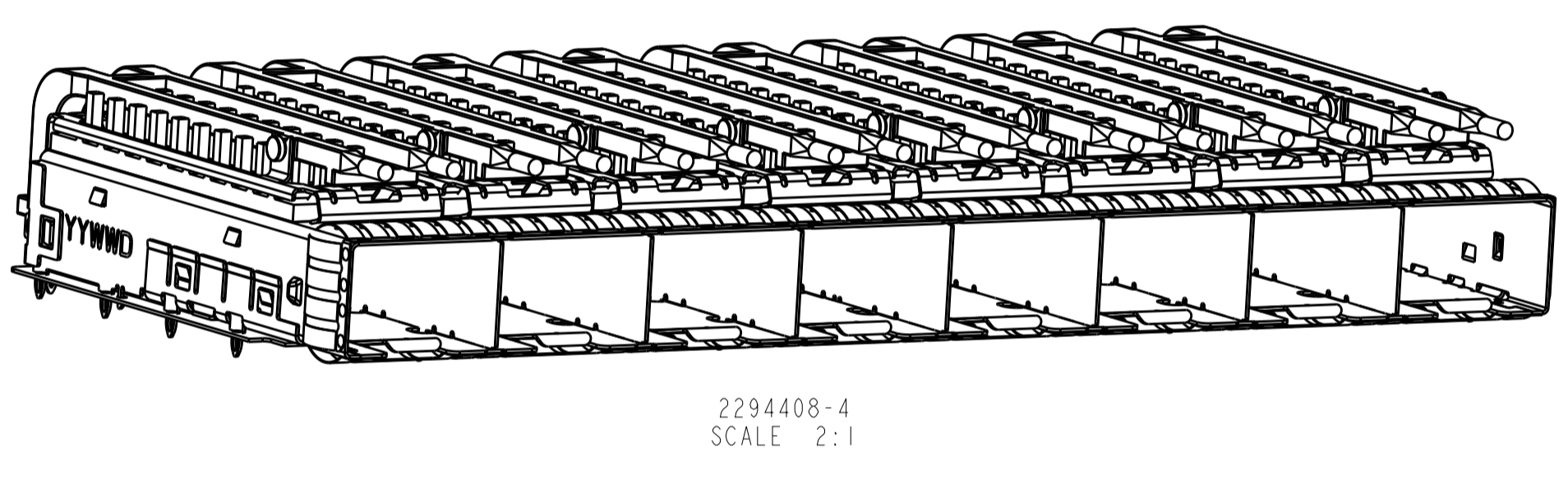
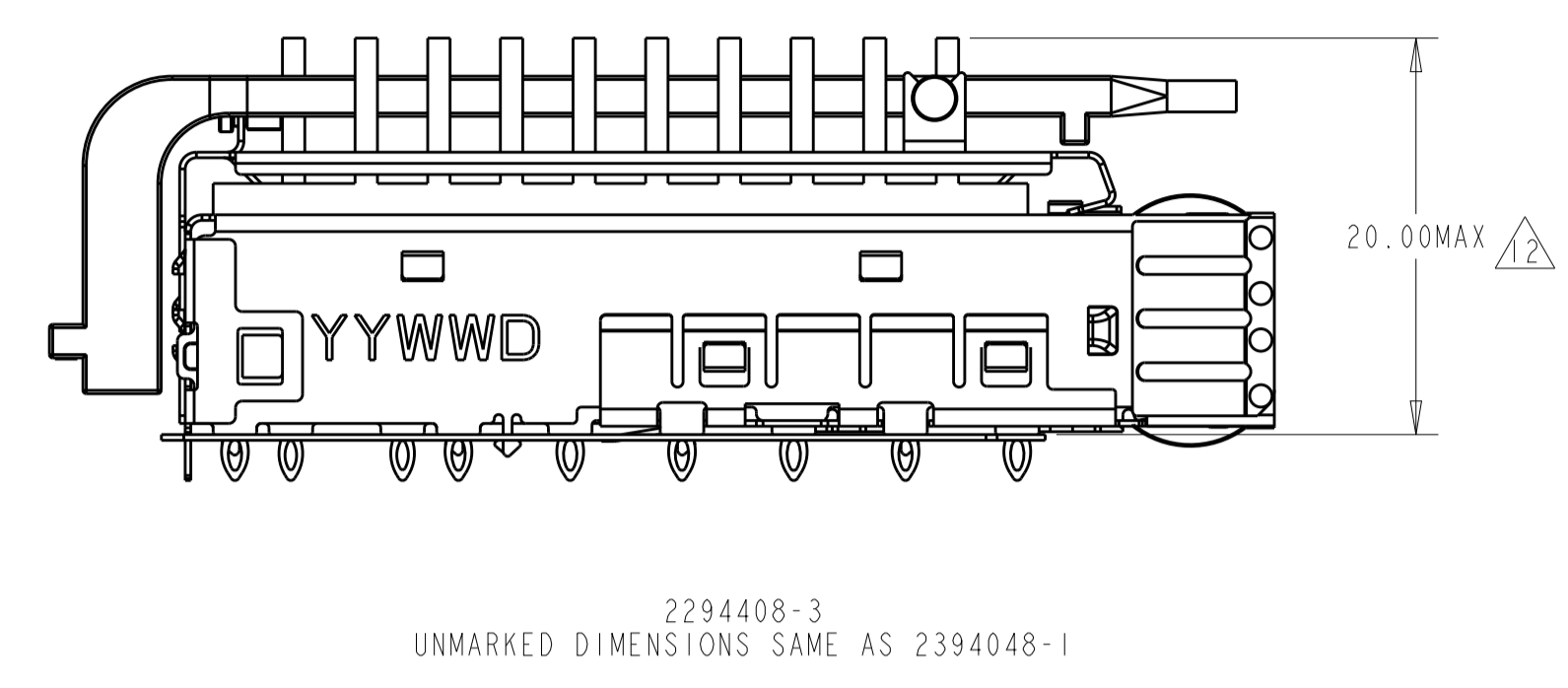
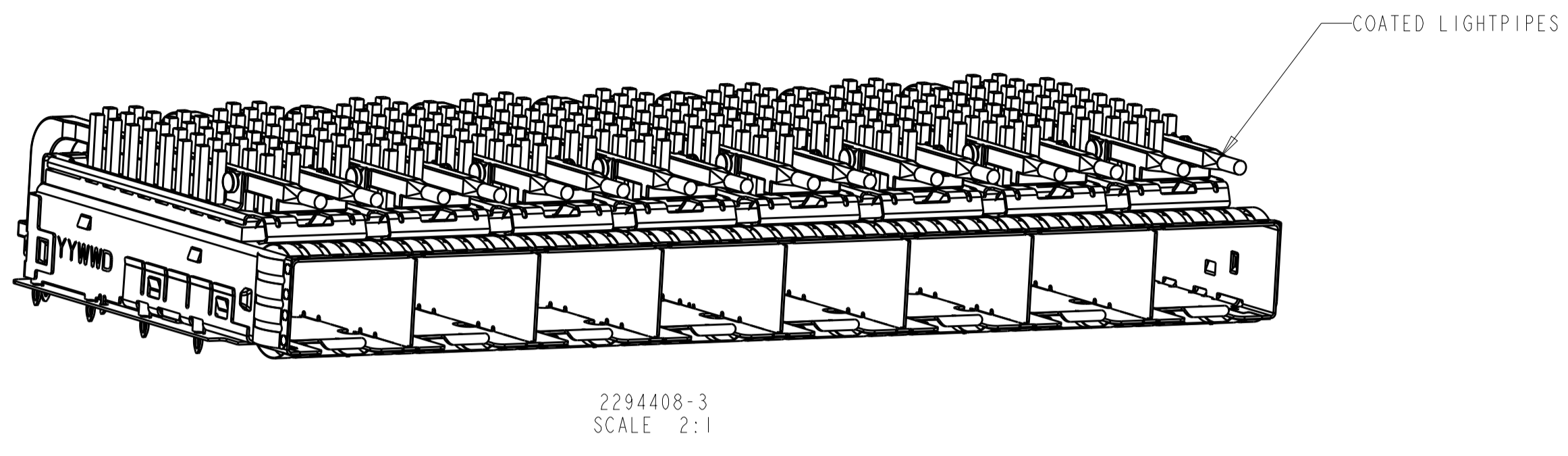


SCALE 3:1



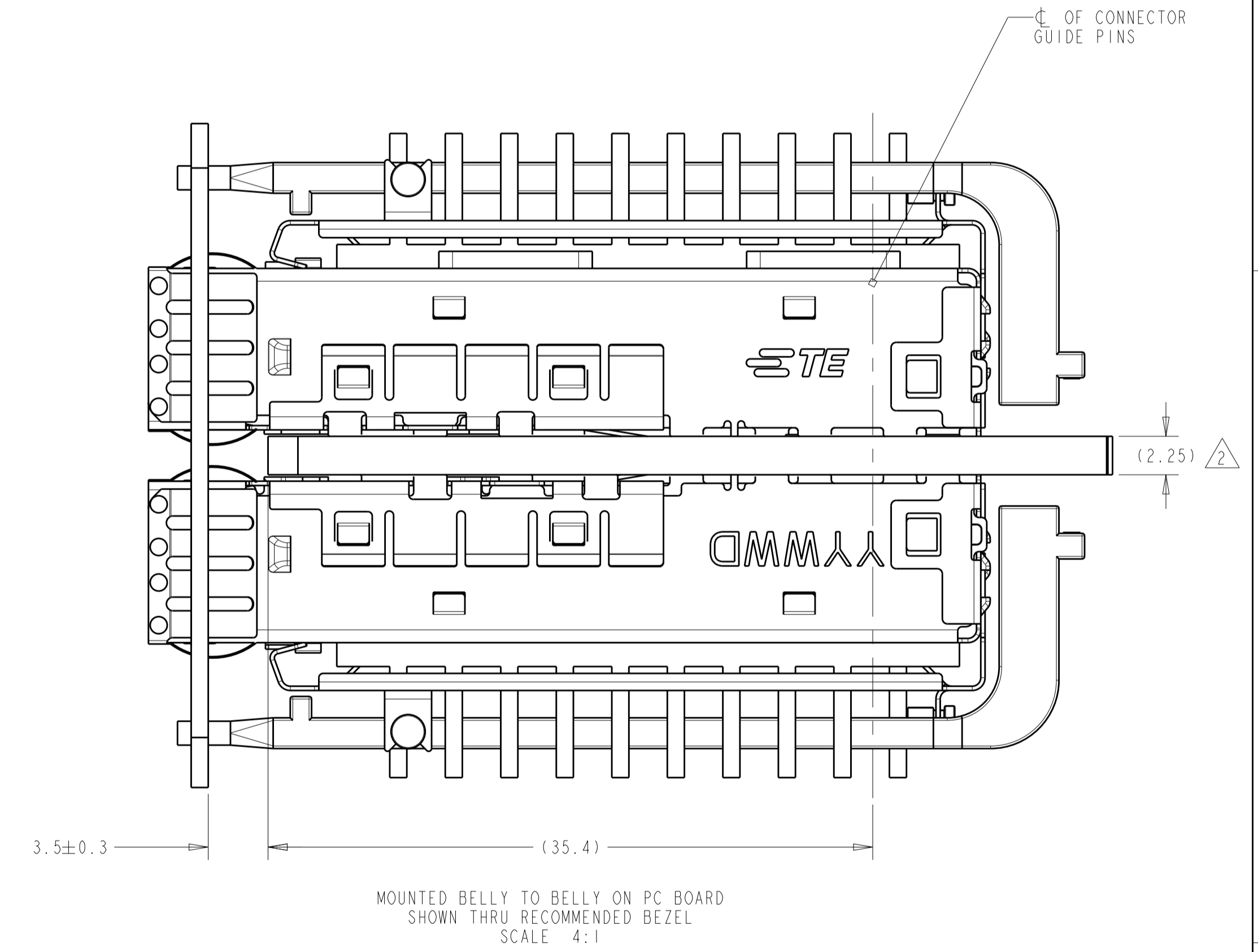
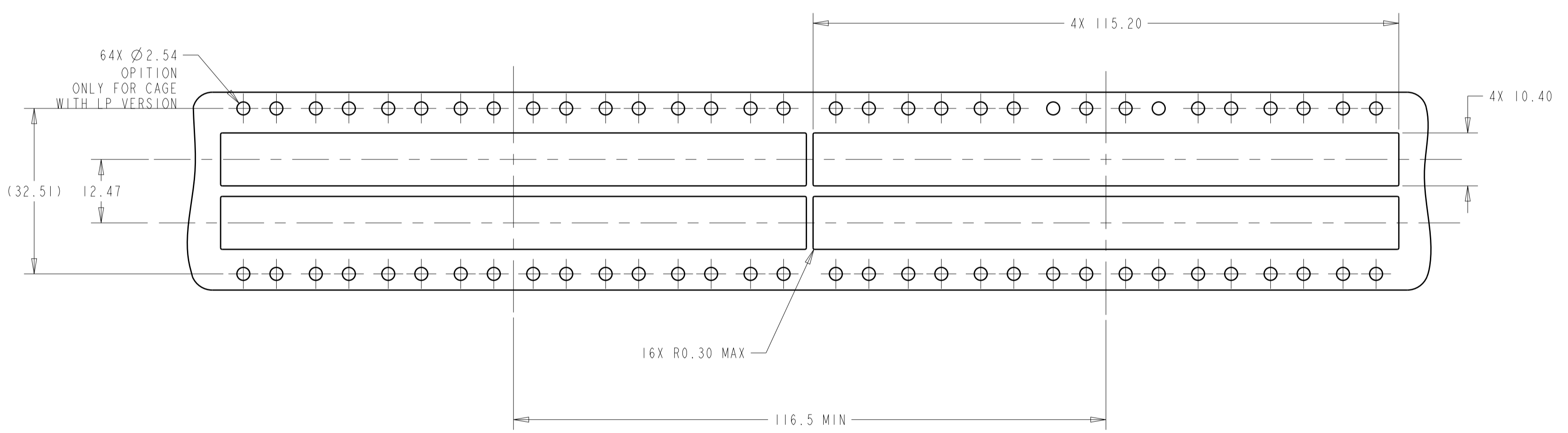
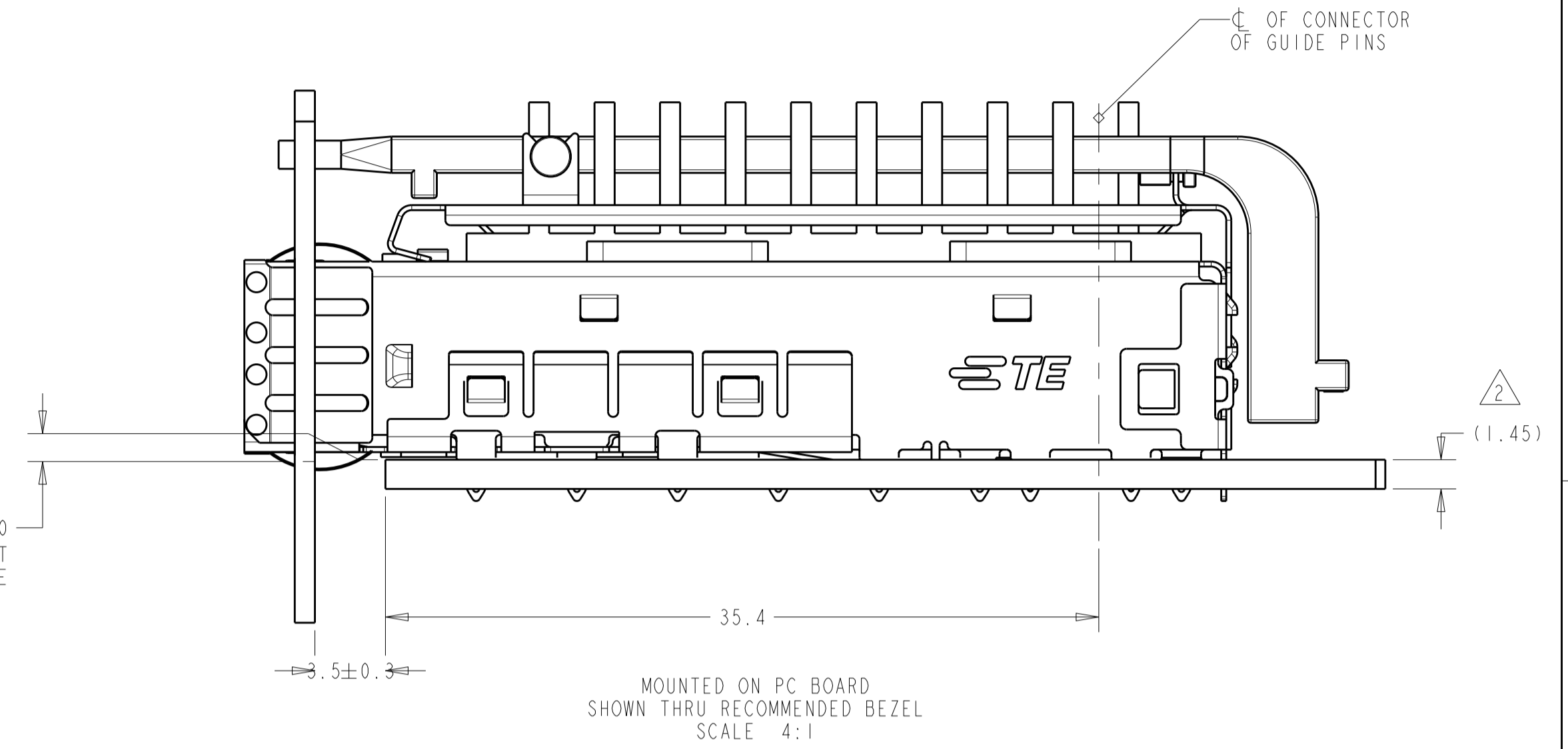
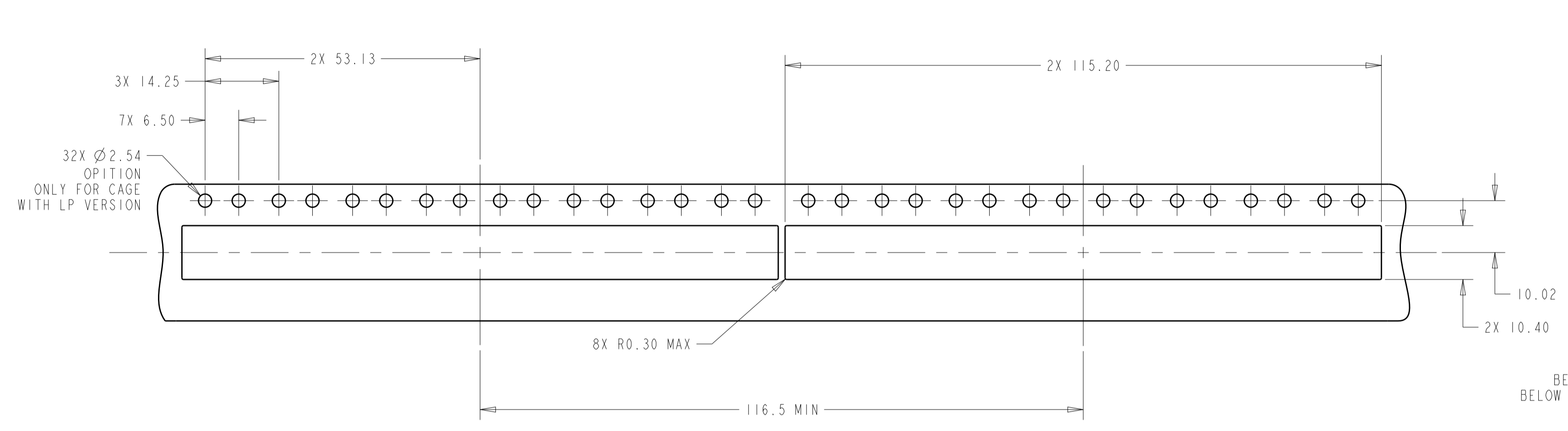
THIS DRAWING IS A CONTROLLED DOCUMENT. DIMENSIONING AND TOLERANCING PER ASME Y14.5M-2009		OWN: REVIN 24JUL2015	TE Connectivity
DIMENSIONS: mm		CHK: SEAN HAN 24JUL2015	
TOLERANCES UNLESS OTHERWISE SPECIFIED:		APVD: SEAN HAN 24JUL2015	NAME: CAGE ASSEMBLY, PRESS-FIT, EMI SPRINGS, 1X8, zSFP+
0 PLC ±0.1	1 PLC ±0.1	PRODUCT SPEC	SIZE: A1
2 PLC ±0.08	3 PLC ±0.05	APPLICATION SPEC	CAGE CODE: 00779
4 PLC ±	ANGLES ±°	FINISH	DRAWING NO: 2294408
MATERIAL: SEE NOTES	FINISH: SEE NOTES	WEIGHT: -	RESTRICTED TO: -
CUSTOMER DRAWING		SCALE: 3:1	SHEET 2 OF 6

LOC	DIST	REVISIONS					
GP	00	P	LYR	DESCRIPTION	DATE	DMN	APVD
-	-	-	-	SEE SHEET 1	-	-	-



THIS DRAWING IS A CONTROLLED DOCUMENT. DIMENSIONING AND TOLERANCING PER ASME Y14.5M-2009		DMN: REVIN 24JUL2015	TE Connectivity
DIMENSIONS: mm		CHK: SEAN HAN 24JUL2015	
TOLERANCES UNLESS OTHERWISE SPECIFIED:		APVD: SEAN HAN 24JUL2015	NAME: CAGE ASSEMBLY, PRESS-FIT, EMI SPRINGS, 1X8, zSFP+
0 PLC ±0.1	1 PLC ±0.1	PRODUCT SPEC	SIZE: A1
2 PLC ±0.08	3 PLC ±0.05	APPLICATION SPEC	CAGE CODE: 00779
4 PLC ±	ANGLES ±°	WEIGHT	DRAWING NO: 2294408
MATERIAL: SEE NOTES	FINISH: SEE NOTES	CUSTOMER DRAWING	SCALE: 3:1
		SHEET 3 OF 6	
		REV B	

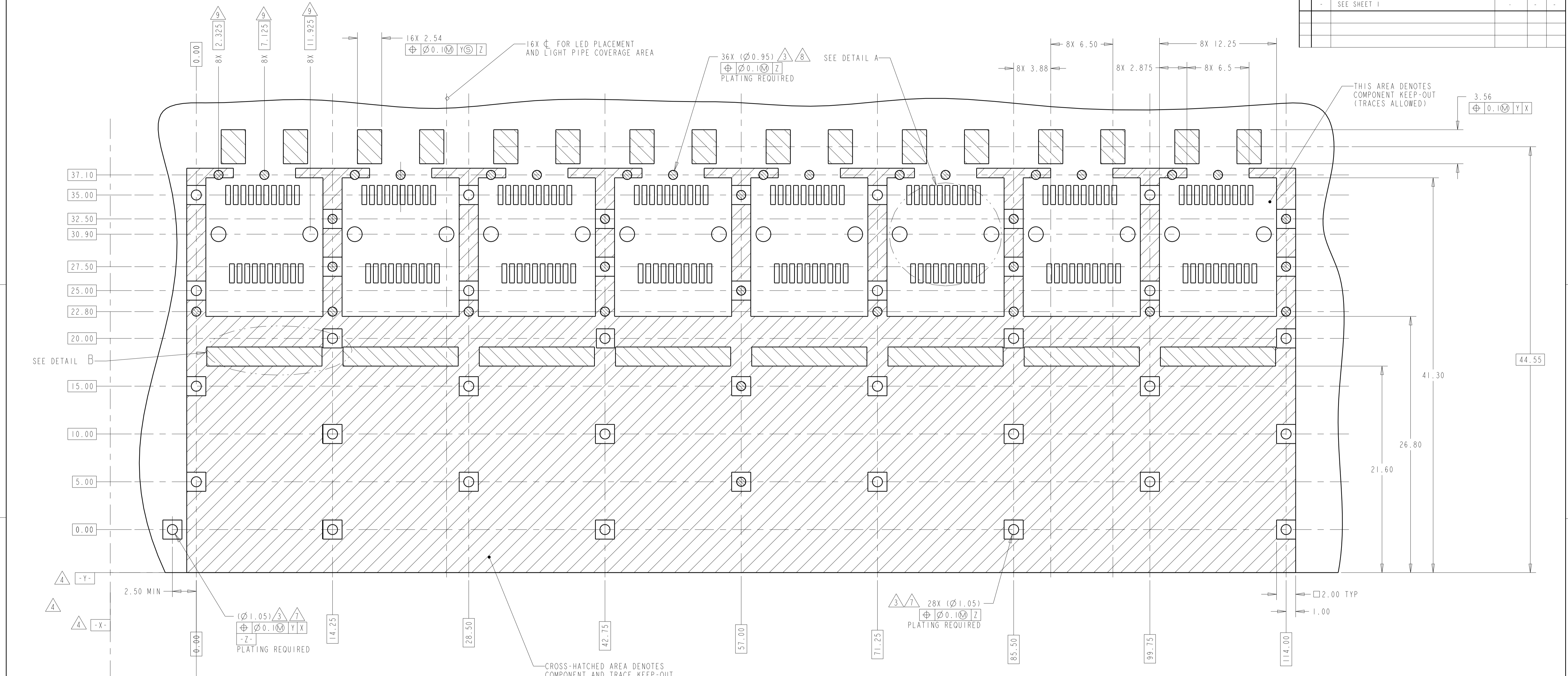
LOC		DIST		REVISIONS			
GP	00	P	LTN	DESCRIPTION	DATE	OWN	APVD
-	-	-	-	SEE SHEET 1	-	-	-



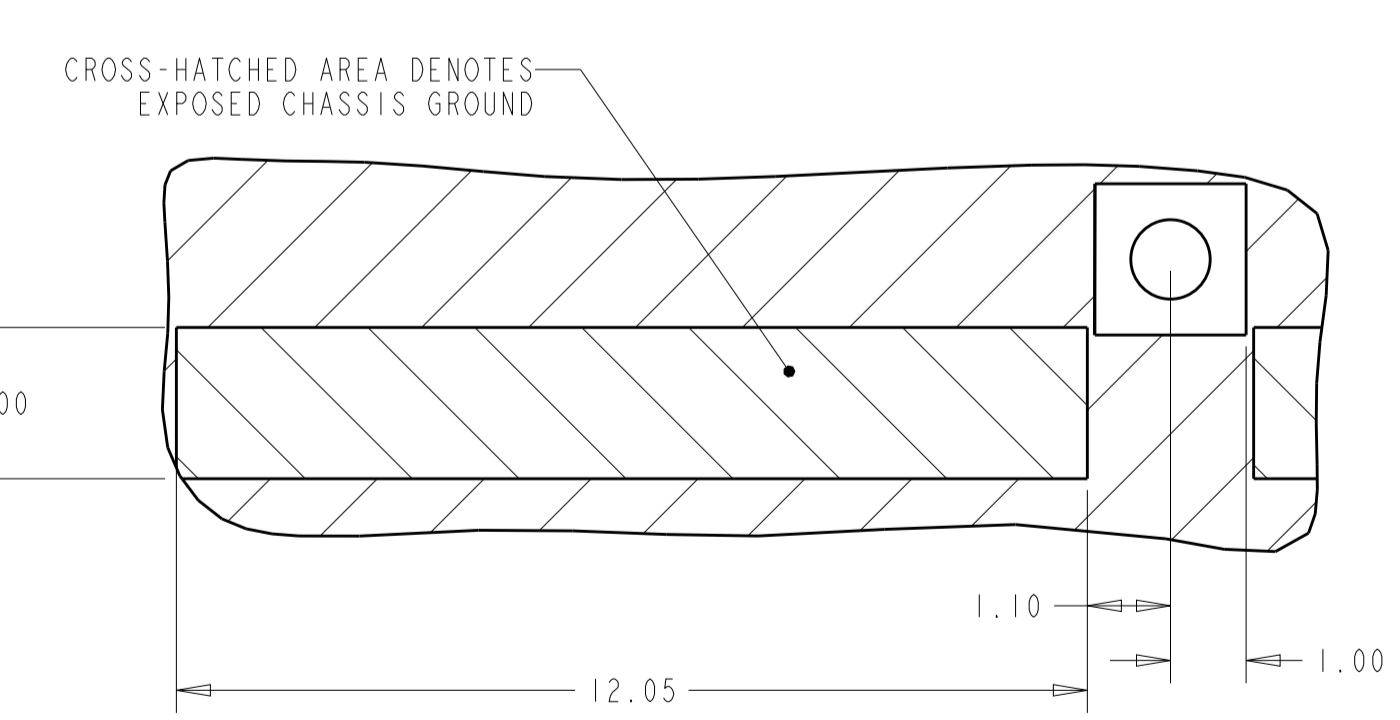
THIS DRAWING IS A CONTROLLED DOCUMENT. DIMENSIONING AND TOLERANCING PER ASME Y14.5M-2009		OWN: REVIN 24JUL2015	TE Connectivity
DIMENSIONS: mm		CHK: SEAN HAN 24JUL2015	
TOLERANCES UNLESS OTHERWISE SPECIFIED:		APVD: SEAN HAN 24JUL2015	NAME: CAGE ASSEMBLY, PRESS-FIT, EMI SPRINGS, 1X8, zSFP+
0 PLC ±0.1 1 PLC ±0.1 2 PLC ±0.08 3 PLC ±0.05 4 PLC ± ANGLES ±1°		PRODUCT SPEC: -	
MATERIAL: SEE NOTES		APPLICATION SPEC: -	RESTRICTED TO: -
FINISH: SEE NOTES		WEIGHT: -	SIZE: A1
CUSTOMER DRAWING		CAGE CODE: 00779	DRAWING NO: 2294408
		SCALE: 4:1	SHEET 4 OF 6
			REV B

LOC	DIST	REV	DATE	BY	APPD
GP	00				

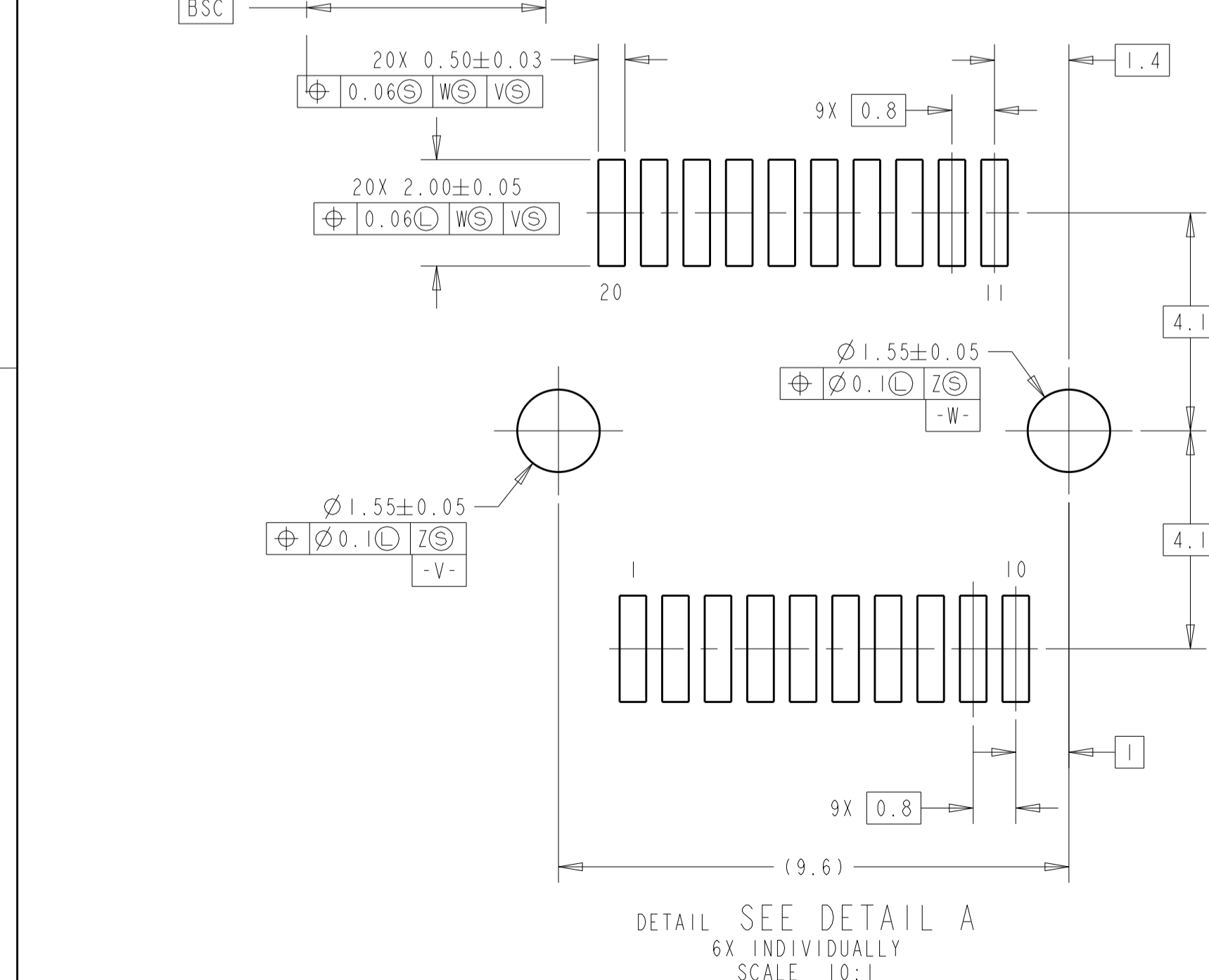
REVISIONS			
NO.	DESCRIPTION	DATE	BY
1	SEE SHEET 1		



RECOMMENDED PCB CONFIGURATION
 WITH KEEP-OUT AREAS FOR SINGLE SIDED APPLICATION
 SCALE 5:1



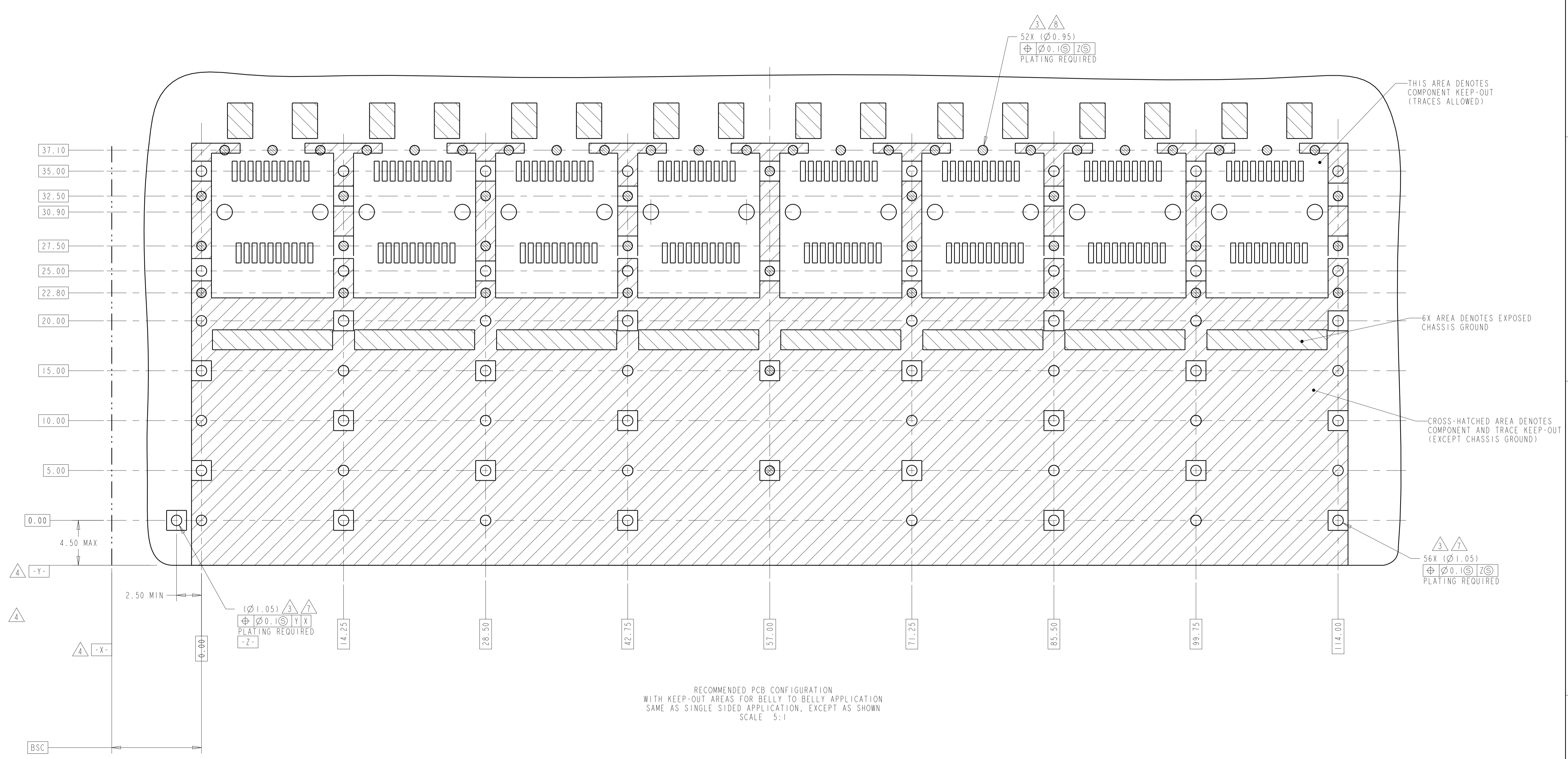
DETAIL B
 6X INDIVIDUALLY
 SCALE 10:1



DETAIL A
 6X INDIVIDUALLY
 SCALE 10:1

THIS DRAWING IS A CONTROLLED DOCUMENT. DIMENSIONING AND TOLERANCING PER ASME Y14.5M-2009		OWN: REVIN 24JUL2015	TE Connectivity
DIMENSIONS: mm		CHK: SEAN HAN 24JUL2015	
TOLERANCES UNLESS OTHERWISE SPECIFIED:		APPD: SEAN HAN 24JUL2015	NAME: CAGE ASSEMBLY, PRESS-FIT, EMI SPRINGS, 1X8, zSFP+
0 PLC ±0.1 1 PLC ±0.1 2 PLC ±0.08 3 PLC ±0.05 4 PLC ±0.05 ANGLES ±°		PRODUCT SPEC	
MATERIAL: SEE NOTES		APPLICATION SPEC	SIZE: A1 CAGE CODE: 00779 DRAWING NO: 2294408
FINISH: SEE NOTES		WEIGHT	
CUSTOMER DRAWING		SCALE: 4:1	SHEET 5 OF 6 REV B

LOC	DIST	REVISIONS			
P	LTN	DESCRIPTION	DATE	DMN	APVD
-	-	SEE SHEET 1	-	-	-



RECOMMENDED PCB CONFIGURATION
 WITH KEEP-OUT AREAS FOR BELLY TO BELLY APPLICATION
 SAME AS SINGLE SIDED APPLICATION, EXCEPT AS SHOWN
 SCALE 5:1

THIS DRAWING IS A CONTROLLED DOCUMENT. DIMENSIONING AND TOLERANCING PER: ASME Y14.5M-2009		DMN: REVIN 24JUL2015	TE Connectivity
DIMENSIONS: mm		CHK: SEAN HAN 24JUL2015	
TOLERANCES UNLESS OTHERWISE SPECIFIED: 0 PLC ±0.1 1 PLC ±0.1 2 PLC ±0.08 3 PLC ±0.05 4 PLC ± ANGLES ±1°		APVD: SEAN HAN 24JUL2015	NAME: CAGE ASSEMBLY, PRESS-FIT, EMI SPRINGS, 1X8, zSFP+
MATERIAL: SEE NOTES		FINISH: SEE NOTES	RESTRICTED TO: -
CUSTOMER DRAWING		SCALE: 4:1	SHEET 6 OF 6 REV B