



Chipsmall Limited consists of a professional team with an average of over 10 year of expertise in the distribution of electronic components. Based in Hongkong, we have already established firm and mutual-benefit business relationships with customers from,Europe,America and south Asia,supplying obsolete and hard-to-find components to meet their specific needs.

With the principle of “Quality Parts,Customers Priority,Honest Operation,and Considerate Service”,our business mainly focus on the distribution of electronic components. Line cards we deal with include Microchip,ALPS,ROHM,Xilinx,Pulse,ON,Everlight and Freescale. Main products comprise IC,Modules,Potentiometer,IC Socket,Relay,Connector.Our parts cover such applications as commercial,industrial, and automotives areas.

We are looking forward to setting up business relationship with you and hope to provide you with the best service and solution. Let us make a better world for our industry!



## Contact us

Tel: +86-755-8981 8866 Fax: +86-755-8427 6832

Email & Skype: info@chipsmall.com Web: www.chipsmall.com

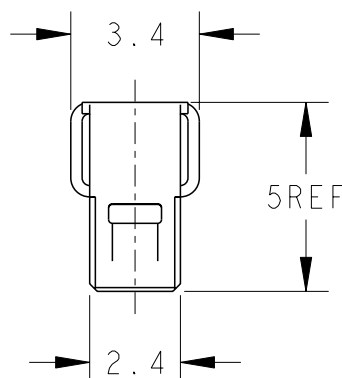
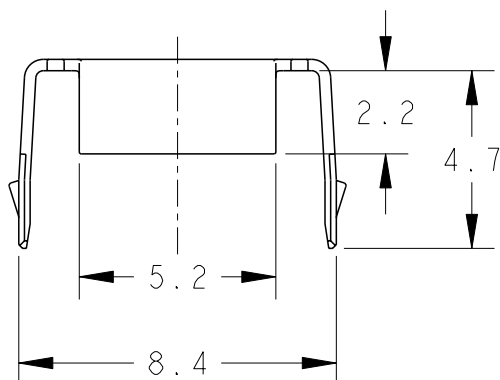
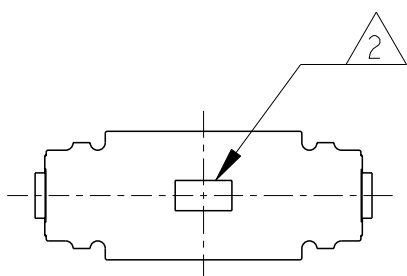
Address: A1208, Overseas Decoration Building, #122 Zhenhua RD., Futian, Shenzhen, China



REVISIONS

P	LTR	DESCRIPTION	DATE	DWN	APVD
	A	RELEASED	28MAR2016	K.T	E.T
	A1	REVISED	28APR2016	K.T	E.T
	B	REVISED	06JUN2016	K.T	E.T

- 1 MATERIAL: STAINLESS STEEL
- 2 COMPANY LOGO
- 3. REFER TO INSTRUCTION SHEET 408-78115



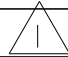

2295205-1: AS SHOWN

THIS DRAWING IS UNPUBLISHED. BY -

RELEASED FOR PUBLICATION 20

ALL RIGHTS RESERVED.

© COPYRIGHT 20

DIMENSIONS: mm  TOLERANCES UNLESS OTHERWISE SPECIFIED: $\pm 0.3$ 0 PLC $\pm$ 1 PLC $\pm$ 2 PLC $\pm$ 3 PLC $\pm$ 4 PLC $\pm$ ANGLES $\pm 5^\circ$	DWN K. TERAJIMA 28MAR2016	MATERIAL	FINISH -  -	
	CHK E. TAKEMASA 28MAR2016	 TE Connectivity		
APVD E. TAKEMASA 28MAR2016	NAME			
PRODUCT SPEC 108-140100	APPLICATION SPEC	SIZE	CAGE CODE	DRAWING NO
ANGLE	WEIGHT	A 4	-	C=2295205
CUSTOMER DRAWING		SCALE	SHEET	REV
		5:1	1 OF 1	B