



Chipsmall Limited consists of a professional team with an average of over 10 year of expertise in the distribution of electronic components. Based in Hongkong, we have already established firm and mutual-benefit business relationships with customers from,Europe,America and south Asia,supplying obsolete and hard-to-find components to meet their specific needs.

With the principle of “Quality Parts,Customers Priority,Honest Operation,and Considerate Service”,our business mainly focus on the distribution of electronic components. Line cards we deal with include Microchip,ALPS,ROHM,Xilinx,Pulse,ON,Everlight and Freescale. Main products comprise IC,Modules,Potentiometer,IC Socket,Relay,Connector.Our parts cover such applications as commercial,industrial, and automotives areas.

We are looking forward to setting up business relationship with you and hope to provide you with the best service and solution. Let us make a better world for our industry!



## Contact us

Tel: +86-755-8981 8866 Fax: +86-755-8427 6832

Email & Skype: info@chipsmall.com Web: www.chipsmall.com

Address: A1208, Overseas Decoration Building, #122 Zhenhua RD., Futian, Shenzhen, China



4

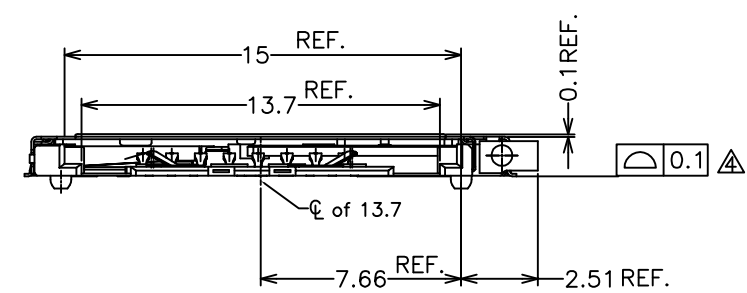
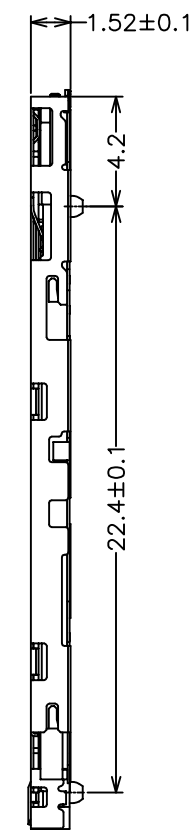
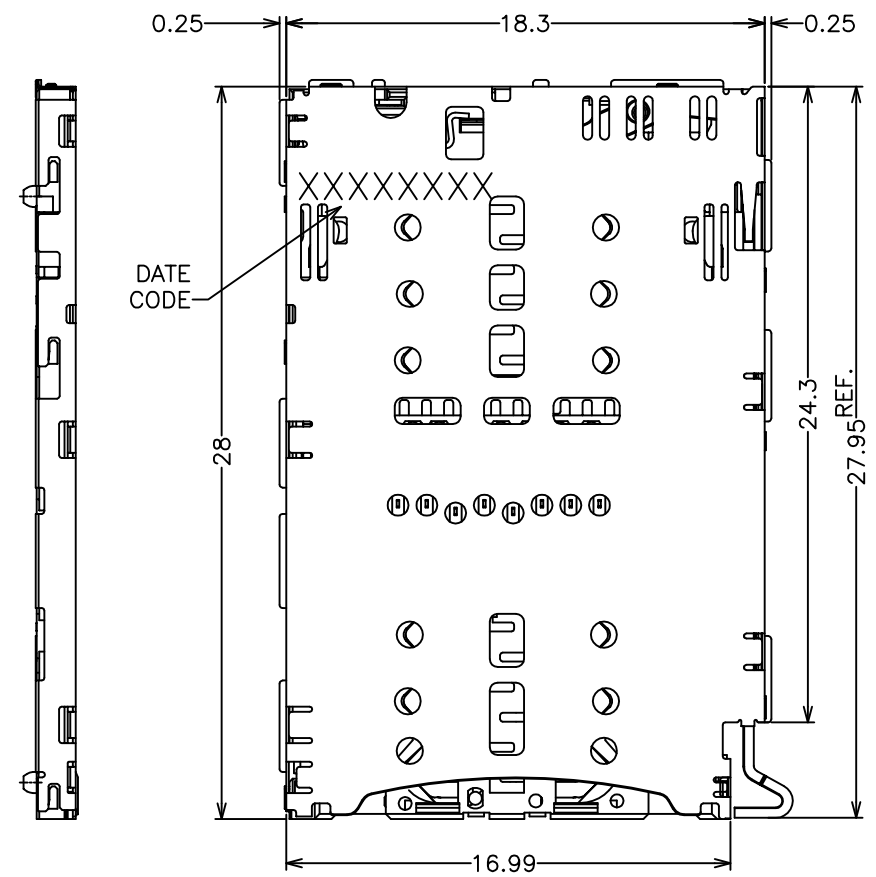
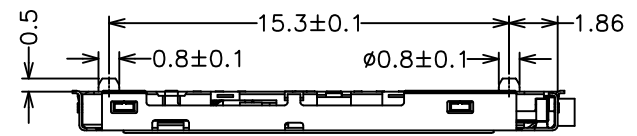
3

2

1

THIS DRAWING IS UNPUBLISHED. RELEASED FOR PUBLICATION  
 © COPYRIGHT - By - ALL RIGHTS RESERVED. TODOS LOS DERECHOS RESERVADOS.

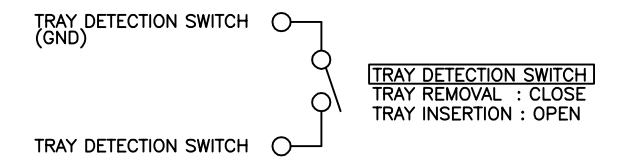
LOC	DIST	REVISIONS			DATE	DWN	APVD
J	-	P	LTR	DESCRIPTION			
		6	REVISED		31MAR2017	R.Z	C.W



- 1 MATERIAL:  
 HOUSING: HIGH TEMPERATURE THERMAL PLASTIC UL94V-0  
 CONTACT : COPPER ALLOY  
 SWITCH CONTACT : COPPER ALLOY  
 SHELL : STAINLESS STEEL  
 LATCH : STAINLESS STEEL  
 LATCH MOLD : HIGH TEMPERATURE THERMAL PLASTIC UL94V-0  
 SLIDER : STAINLESS STEEL  
 CAM : STAINLESS STEEL

- △ FINISH:  
 CONTACT : Ni UNDER PLATING  
 SOLDERING AREA : Au PLATING  
 CONTACT AREA : Au PLATING  
 SWITCH CONTACT : Ni UNDER PLATING  
 SOLDERING AREA : Au PLATING  
 CONTACT AREA : Au PLATING  
 SHELL : Ni UNDER PLATING  
 SOLDERING AREA : Au PLATING

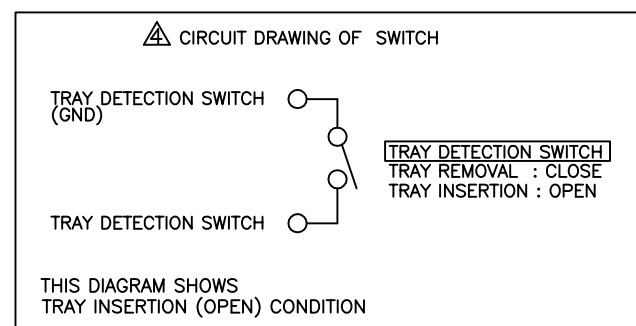
- △ CAM, SLIDER MOVING AREA.  
 △ COPLANARITY: 0.10MAX.  
 △ CIRCUIT DRAWING OF SWITCH.



THIS DIAGRAM SHOWS TRAY INSERTION (OPEN) CONDITION

- △ REFERENTIAL STENCIL DESIGN.  
 THICKNESS:0.1mm  
 OPENING RATIO: REFER TO SHEET 2  
 150%(BOTH SIDE GND PADS)  
 100%(OTHER PADS)

THIS PRINT IS PRELIMINARY  
 UNQUALIFIED PRODUCT  
 CONTACT PRODUCT ENGINEERING  
 BEFORE USING THIS PRINT

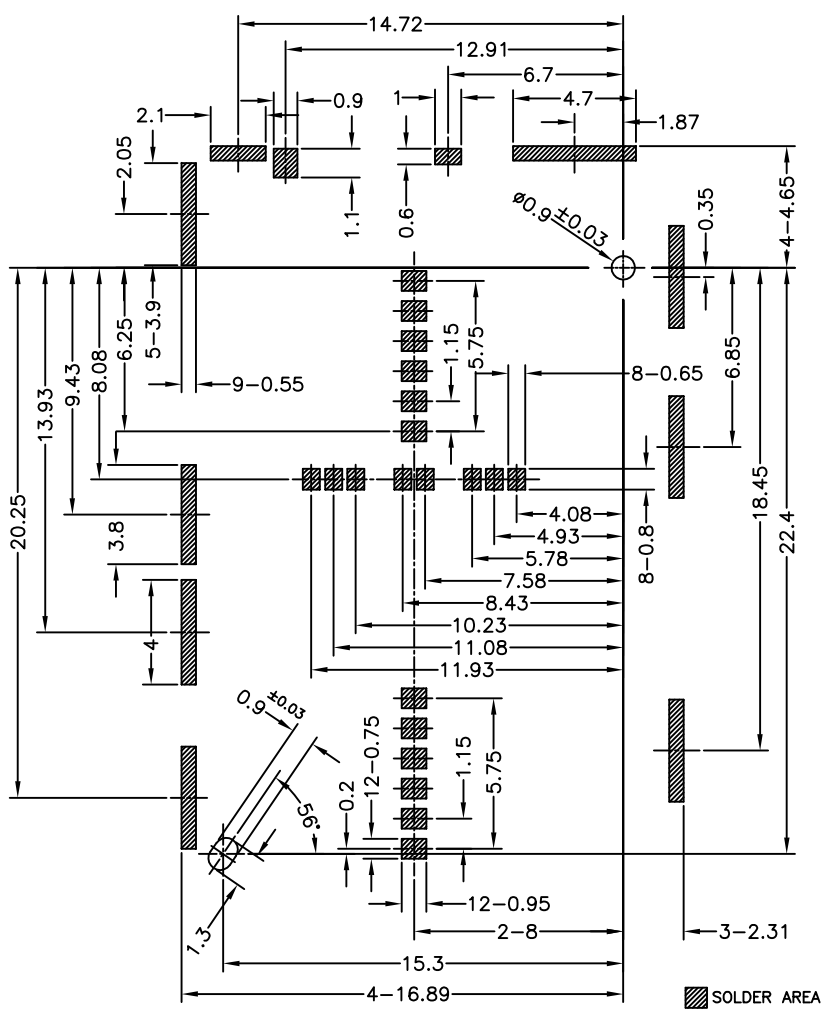


THIS DIAGRAM SHOWS TRAY INSERTION (OPEN) CONDITION

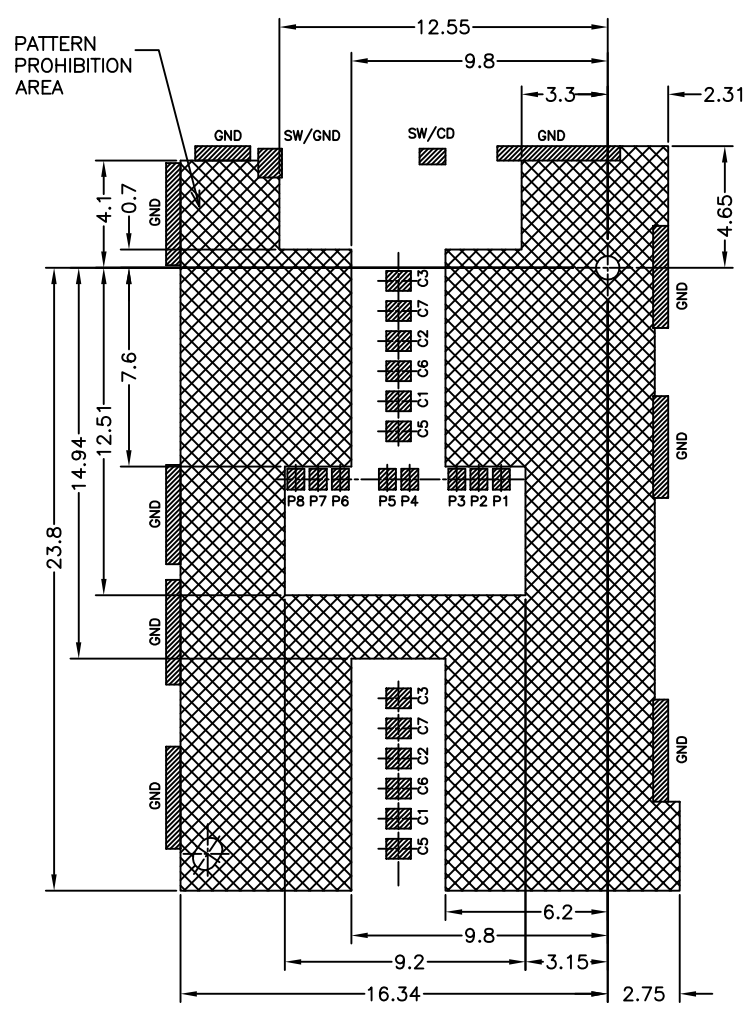
△	2295782-1
FINISH	PART NUMBER

THIS DRAWING IS A CONTROLLED DOCUMENT.		DWN	RICHARD MA	8SEP2015	 TE Connectivity
DIMENSIONS: mm		CHK	SIMON LI	8SEP2015	
TOLERANCES UNLESS OTHERWISE SPECIFIED:		APVD	COREL WANG	8SEP2015	
0 PLC ± 0.15 1 PLC ± 0.15 2 PLC ± 0.1 3 PLC ± 0.1 4 PLC ± - ANGLES ± -		PRODUCT SPEC			
MATERIAL		APPLICATION SPEC	NAME		PIN PUSH TRAY TYPE CONNECTOR 3 IN 2 FOR 4FF AND MCIRO SD CARD
△		WEIGHT	SIZE	CAGE CODE	
△		RESTRICTED CUSTOMER	A2	00779	DRAWING NO
				C=2295782	RESTRICTED TO
					SCALE 5:1
					SHEET 1 of 4
					REV 6

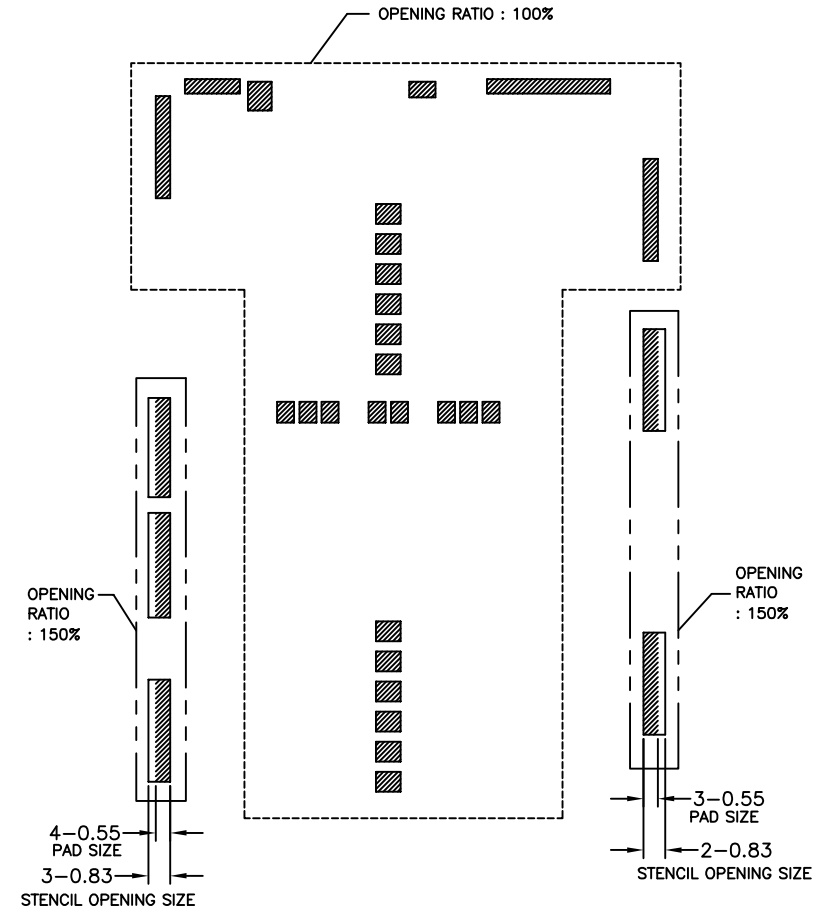
- 1:AS SHOWN



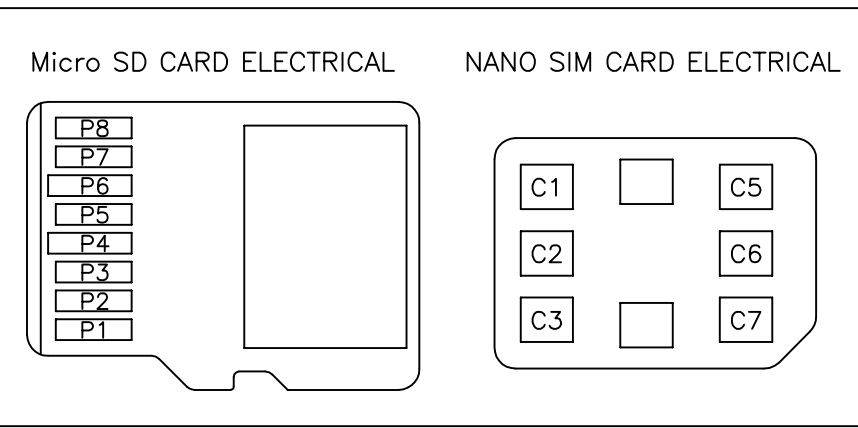
REFERENCE PCB LAYOUT (TOLERANCE : +/-0.05) FROM MOUNTING SURFACE



REFERENCE PCB LAYOUT (TOLERANCE : +/-0.05) FROM MOUNTING SURFACE



REFERENTIAL STENCIL DESIGN  
 PAD AREA  
 STENCIL OPENING AREA



CONNECTOR PIN ASSIGNMENT

ITEM	FUNCTION
Micro SD CARD	
P1	DAT2 OF MSD
P2	CD/DAT3 OF MSD
P3	CMD OF MSD
P4	VDD OF MSD
P5	CLK OF MSD
P6	VSS OF MSD
P7	DAT0 OF MSD
P8	DAT1 OF MSD
SW	TRAY DETECTION SW
S	SHELL GND
NANO SIM CARD	
C1	VCC OF SIM
C2	RST OF SIM
C3	CLK OF SIM
C5	GND OF SIM
C6	VPP OF SIM
C7	DATA OF SIM

CARD PIN ASSIGNMENT

ITEM	FUNCTION
Micro SD CARD	
P1	DAT2 OF MSD
P2	CD/DAT3 OF MSD
P3	CMD OF MSD
P4	VDD OF MSD
P5	CLK OF MSD
P6	VSS OF MSD
P7	DAT0 OF MSD
P8	DAT1 OF MSD
NANO SIM CARD	
C1	VCC OF SIM
C2	RST OF SIM
C3	CLK OF SIM
C5	GND OF SIM
C6	VPP OF SIM
C7	DATA OF SIM

THIS DRAWING IS A CONTROLLED DOCUMENT.

DIMENSIONS: mm	TOLERANCES UNLESS OTHERWISE SPECIFIED:	DWN	CHK	APVD	PRODUCT SPEC	APPLICATION SPEC	WEIGHT	RESTRICTED CUSTOMER
0 PLC	±							
1 PLC	±							
2 PLC	±							
3 PLC	±							
4 PLC	±							
ANGLES	±							
FINISH	±							

TE Connectivity  
 PIN PUSH TRAY TYPE CONNECTOR  
 3 IN 2 FOR 4FF AND MICRO SD CARD

SIZE: A2 CAGE CODE: 00779 DRAWING NO: C-2295782 RESTRICTED TO: 1

SCALE: 8:1 SHEET: 2 of 4 REV: 6

4

3

2

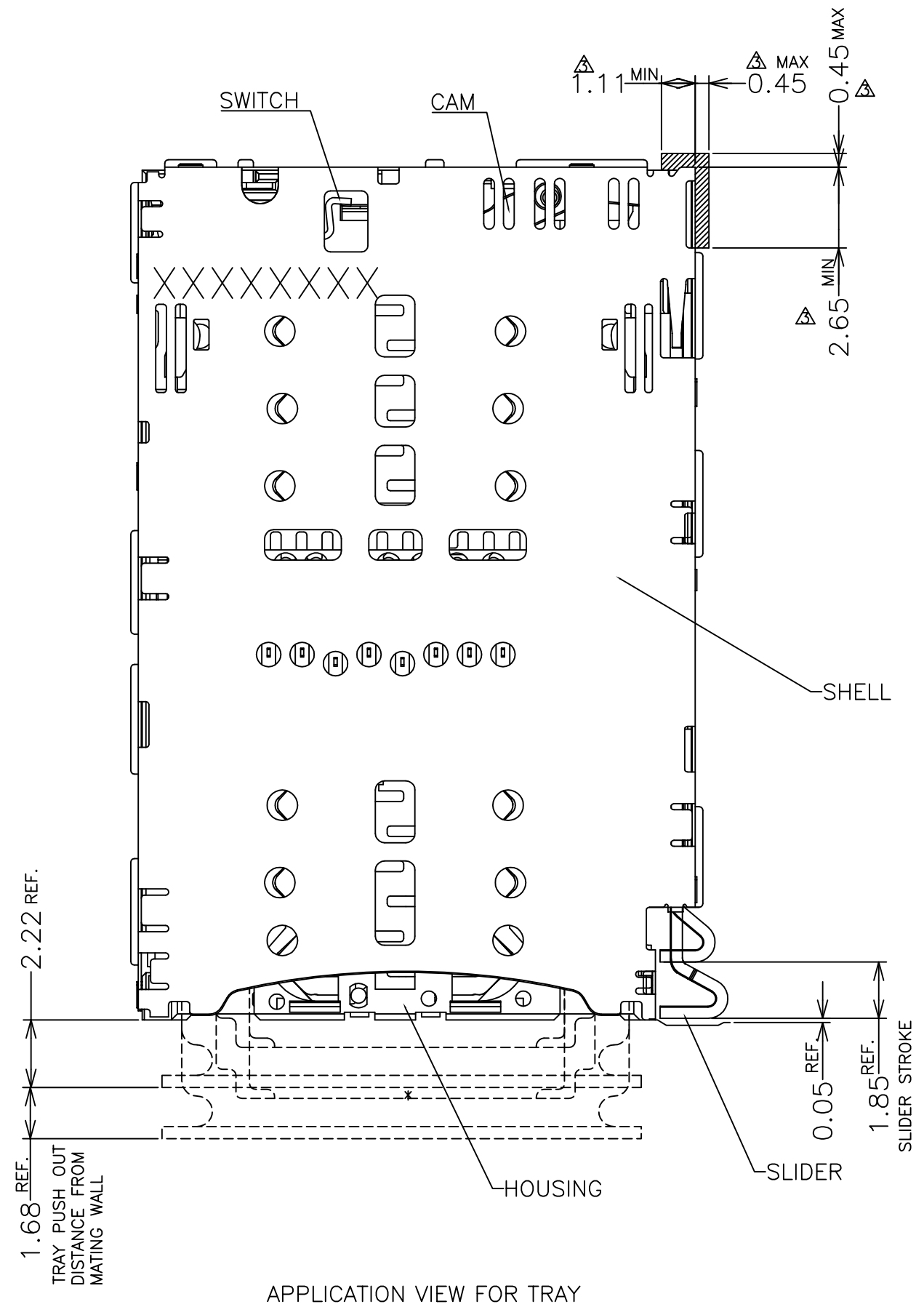
1

THIS DRAWING IS UNPUBLISHED. RELEASED FOR PUBLICATION  
 © COPYRIGHT - By - ALL RIGHTS RESERVED. TODOS LOS DERECHOS RESERVADOS.

LOC		DIST		REVISIONS			DATE	DWN	APVD
P	LTR	DESCRIPTION							
-	-	SEE SHEET 1			-	-	-	-	-

D  
C  
B  
A

D  
C  
B  
A



APPLICATION VIEW FOR TRAY

THIS DRAWING IS A CONTROLLED DOCUMENT.		DWN	<b>STE</b> TE Connectivity	
DIMENSIONS: mm		CHK		
TOLERANCES UNLESS OTHERWISE SPECIFIED		APVD	NAME	
0 PLC ±		PRODUCT SPEC	PIN PUSH TRAY TYPE CONNECTOR	
1 PLC ±		APPLICATION SPEC	3 IN 2 FOR 4FF AND MICRO SD CARD	
2 PLC ±		WEIGHT	SIZE	CAGE CODE
3 PLC ±		RESTRICTED CUSTOMER	A2	00779
4 PLC ±			DRAWING NO	C-2295782
ANGLES ±		SCALE	8:1	SHEET
FINISH ±		RESTRICTED TO	3 of 4	REV
				6

4

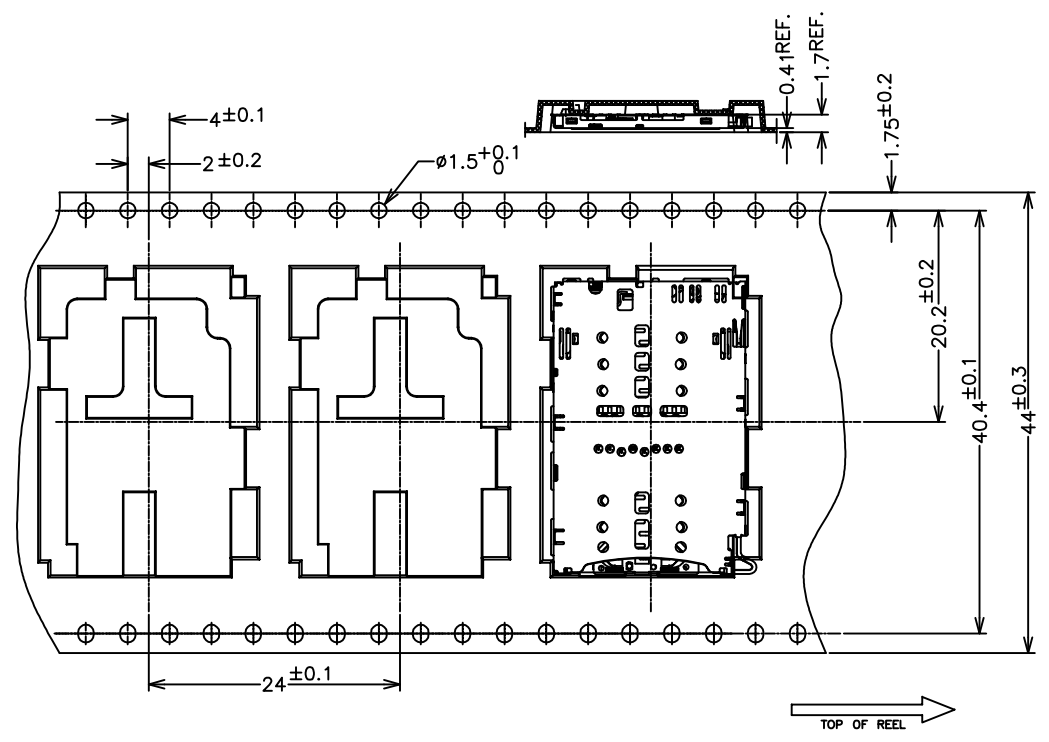
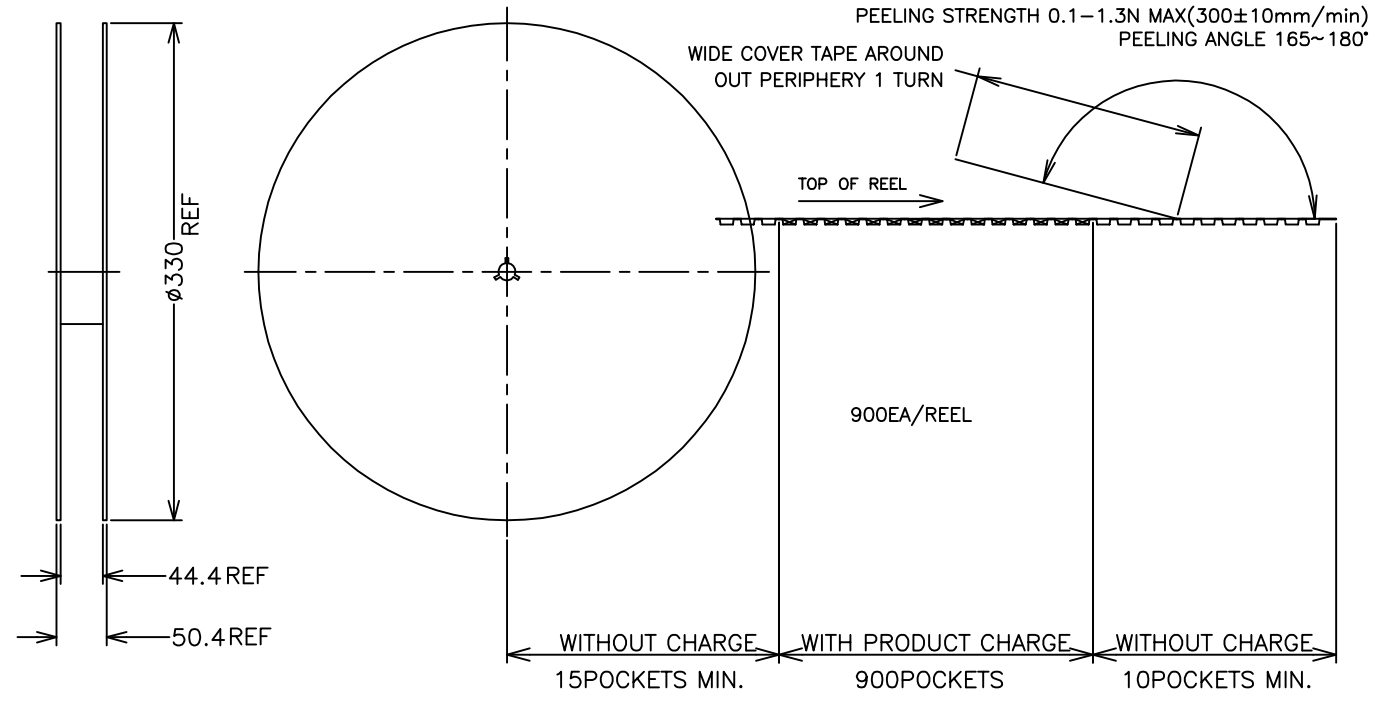
3

2

1

THIS DRAWING IS UNPUBLISHED. RELEASED FOR PUBLICATION  
 © COPYRIGHT - By - ALL RIGHTS RESERVED. TODOS LOS DERECHOS RESERVADOS.

LOC	DIST	REVISIONS			DATE	DWN	APVD
J	-	P	LTR	DESCRIPTION			
		-		SEE SHEET 1	-	-	-



THIS DRAWING IS A CONTROLLED DOCUMENT.		DWN	<b>STE</b> TE Connectivity	
DIMENSIONS: mm		CHK		
TOLERANCES UNLESS OTHERWISE SPECIFIED:		APVD	NAME	
0 PLC	±	PRODUCT SPEC	PIN PUSH TRAY TYPE CONNECTOR	
1 PLC	±	APPLICATION SPEC	3 IN 2 FOR 4FF AND MCIRO SD CARD	
2 PLC	±	WEIGHT	SIZE	CAGE CODE
3 PLC	±	RESTRICTED CUSTOMER	A2	00779
4 PLC	±	SCALE	DRAWING NO	REV
ANGLES	± -	SHEET	C-2295782	4 of 4
FINISH		REV		6

2295782