



Chipsmall Limited consists of a professional team with an average of over 10 year of expertise in the distribution of electronic components. Based in Hongkong, we have already established firm and mutual-benefit business relationships with customers from,Europe,America and south Asia,supplying obsolete and hard-to-find components to meet their specific needs.

With the principle of “Quality Parts,Customers Priority,Honest Operation,and Considerate Service”,our business mainly focus on the distribution of electronic components. Line cards we deal with include Microchip,ALPS,ROHM,Xilinx,Pulse,ON,Everlight and Freescale. Main products comprise IC,Modules,Potentiometer,IC Socket,Relay,Connector.Our parts cover such applications as commercial,industrial, and automotives areas.

We are looking forward to setting up business relationship with you and hope to provide you with the best service and solution. Let us make a better world for our industry!



## Contact us

Tel: +86-755-8981 8866 Fax: +86-755-8427 6832

Email & Skype: info@chipsmall.com Web: www.chipsmall.com

Address: A1208, Overseas Decoration Building, #122 Zhenhua RD., Futian, Shenzhen, China

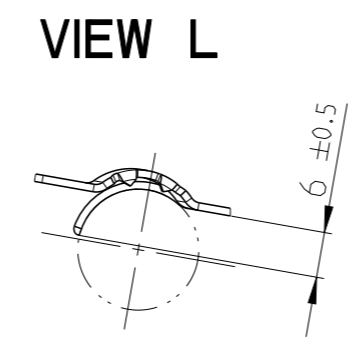
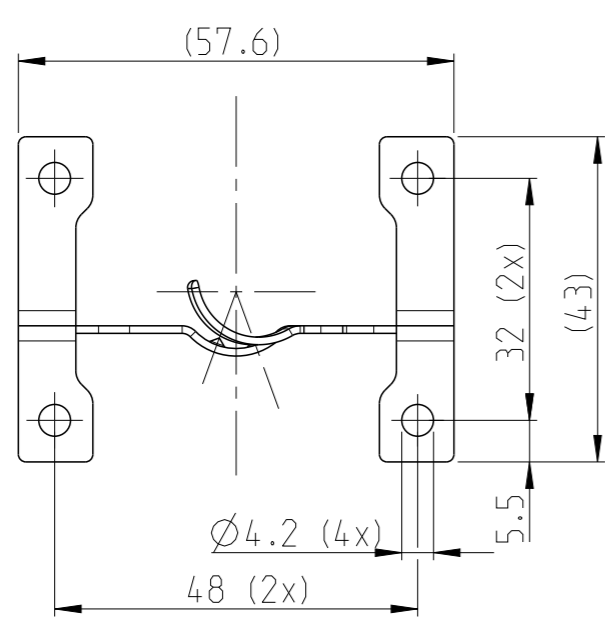
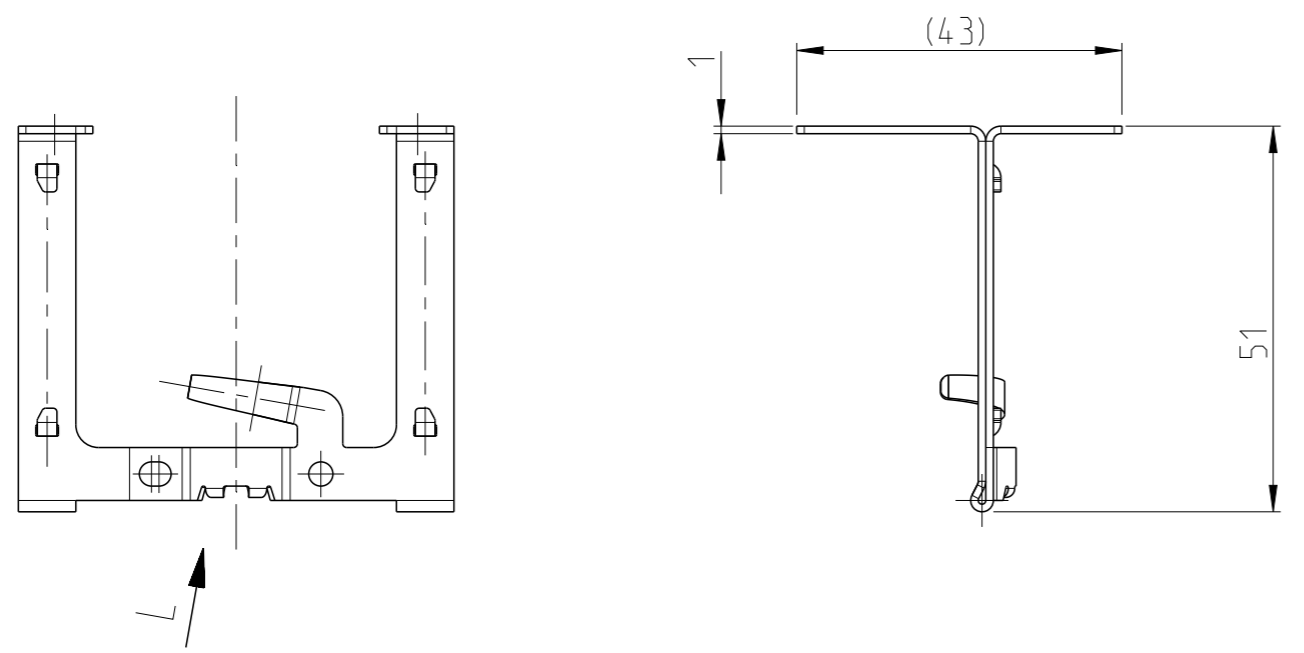


4

3

2

1



1 PACKAGING: 100 PIECES PACKED IN A BAG.  
10 BAGS PACKED IN A TE OR NEUTRAL PAPER BOX.

**-1 AS SHOWN**

TOLERANCING ISO 8015  
GEOMETRIC TOLERANCING ISO 1101  
SIZE ISO 14405  
GENERAL TOLERANCES ISO 2768-K

2295891-1	SCREEN CLAMP, MOTORMAN SHROUD	PRE-TINNED	CuSn4
TE CONNECTIVITY ORDER NO.	DESCRIPTION	SURFACE	MATERIAL
		COLOUR	

DIESE ZEICHNUNG IST EIN KONTROLLIERTES DOKUMENT. BEMASSUNGEN UND TOLERANZEN GEMAESS GPS (ISO STANDARDS).							
THIS DRAWING IS A CONTROLLED DOCUMENT. DIMENSIONING AND TOLERANCING PER GPS (ISO STANDARDS).				DWN E.REISS 07OCT2015			
				CHK KANG INGON 07OCT2015			
				APVD ONDREJ DUSAN 07OCT2015			
				NAME SCREEN CLAMP, MOTORMAN SHROUD SCHIRMKLEMME, MOTORMAN KRAGEN			
DIMENSIONS: MASSEINHEITEN: MM		TOLERANCES UNLESS OTHERWISE SPECIFIED: ALLGEMEINTOLERANZEN		PRODUCT SPEC PRODUKTSPEZ.		RESTRICTED TO NUR FUER	
		0 PLC ±0.2 1 PLC ±0.2 2 PLC ±0.2 3 PLC ± 4 PLC ± ANGLES/WINKEL ±2°		APPLICATION SPEC VERARBEITUNGSSPEZ.		-	
MATERIAL		FINISH/OBERFLAECHE/FARBE		WEIGHT GEWICHT		-	
-		-		22.8g		-	
-		-		Customer Drawing		/KUNDENZEICHNUNG	
				SCALE MASSSTAB 1:1		SHEET BLATT 1 OF 1	
				DRAWING NO. ZEICHNUNGS-NR. C=2295891		REV A1	