



Chipsmall Limited consists of a professional team with an average of over 10 year of expertise in the distribution of electronic components. Based in Hongkong, we have already established firm and mutual-benefit business relationships with customers from,Europe,America and south Asia,supplying obsolete and hard-to-find components to meet their specific needs.

With the principle of “Quality Parts,Customers Priority,Honest Operation,and Considerate Service”,our business mainly focus on the distribution of electronic components. Line cards we deal with include Microchip,ALPS,ROHM,Xilinx,Pulse,ON,Everlight and Freescale. Main products comprise IC,Modules,Potentiometer,IC Socket,Relay,Connector.Our parts cover such applications as commercial,industrial, and automotives areas.

We are looking forward to setting up business relationship with you and hope to provide you with the best service and solution. Let us make a better world for our industry!



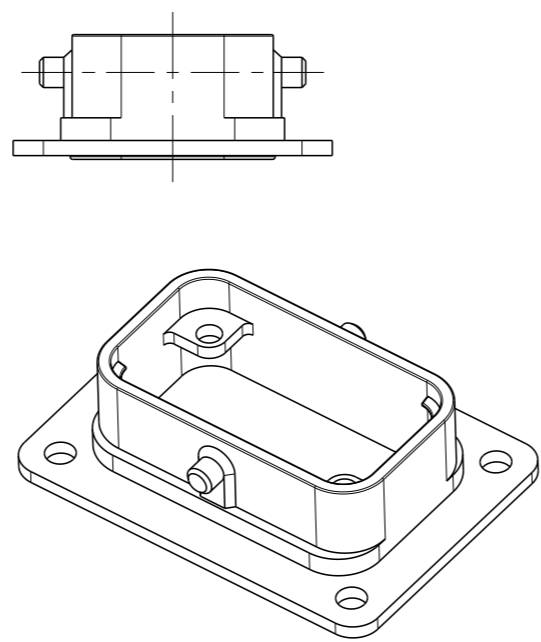
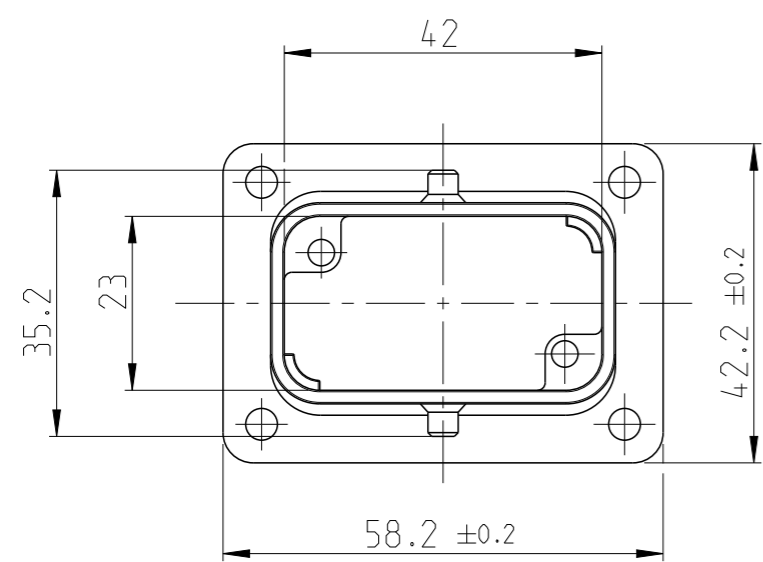
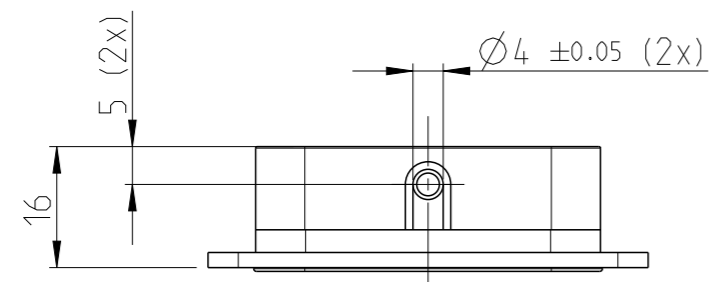
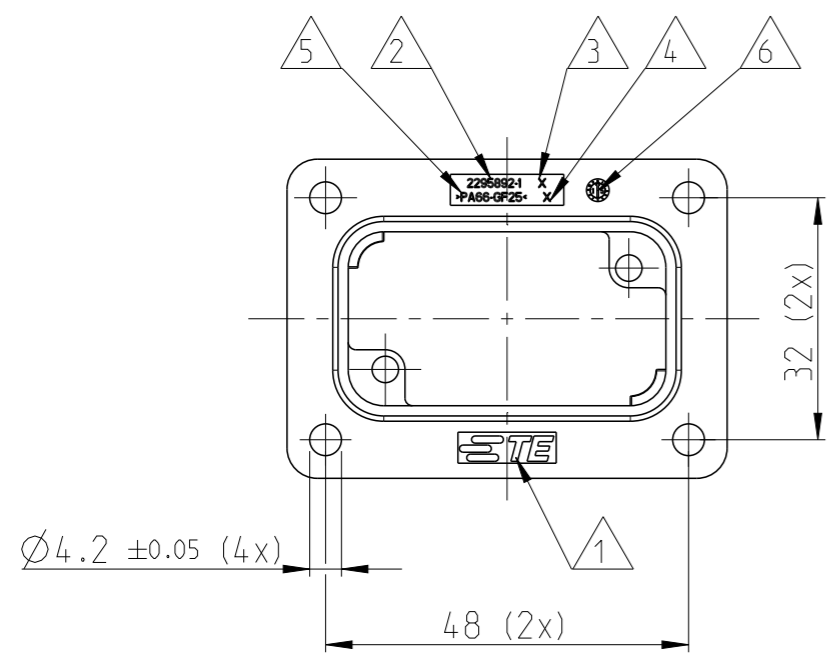
Contact us

Tel: +86-755-8981 8866 Fax: +86-755-8427 6832

Email & Skype: info@chipsmall.com Web: www.chipsmall.com

Address: A1208, Overseas Decoration Building, #122 Zhenhua RD., Futian, Shenzhen, China





- 1 TE LOGO
- 2 TE PART NO.
- 3 CURRENT TE REVISION LETTER
- 4 MOLD CAVITY IDENTIFICATION NUMBER
- 5 MATERIAL CODE
- 6 PRODUCTION DATE CLOCK
- 7 RECOMMENDED SCREW M4
- 8 PACKAGING: SINGLE PIECE PACKED IN A BUBBLE BAG. 10 BAGS OVERPACKED INTO ONE BIG BAG AND THEN PACKED IN A TE OR NEUTRAL PAPER BOX.

2295892-1	SHROUD, PLASTIC	BLACK	PA66-GF25
TE CONNECTIVITY ORDER NO.	DESCRIPTION	SURFACE	MATERIAL
		COLOUR	

-1 AS SHOWN

TOLERANCING ISO 8015
 GEOMETRIC TOLERANCING ISO 1101
 SIZE ISO 14405
 GENERAL TOLERANCES ISO 2768-K

DIESE ZEICHNUNG IST EIN KONTROLLIERTES DOKUMENT. BEMASSUNGEN UND TOLERANZEN GEMAESS GPS (ISO STANDARDS).		DWN E.REISS 02OCT2015	
THIS DRAWING IS A CONTROLLED DOCUMENT. DIMENSIONING AND TOLERANCING PER GPS (ISO STANDARDS).		CHK KANG INGON 02OCT2015	
DIMENSIONS: MASSEINHEITEN: MM		APVD ONDREJ DUSAN 02OCT2015	
TOLERANCES UNLESS OTHERWISE SPECIFIED: ALLGEMEINTOLERANZEN		NAME SHROUD, PLASTIC KRAGEN, KUNSTSTOFF	
0 PLC ±0.1		PRODUCT SPEC PRODUKTSPEZ.	
1 PLC ±0.1		APPLICATION SPEC VERARBEITUNGSSPEZ.	
2 PLC ±0.1		WEIGHT GEWICHT	
3 PLC ±		9.19g	
4 PLC ±		CUSTOMER DRAWING	
ANGLES/WINKEL ±1°		/KUNDENZEICHNUNG	
FINISH/OBERFLAECHE/FARBE		SCALE MASSSTAB 1:1	
-		SHEET BLATT 1 OF 1	
-		REV A1	

TE CONNECTIVITY		RESTRICTED TO NUR FUER	
SIZE A3		CAGE CODE 00779	
DRAWING NO. ZEICHNUNGS-NR. G=2295892		-	