



Chipsmall Limited consists of a professional team with an average of over 10 year of expertise in the distribution of electronic components. Based in Hongkong, we have already established firm and mutual-benefit business relationships with customers from,Europe,America and south Asia,supplying obsolete and hard-to-find components to meet their specific needs.

With the principle of “Quality Parts,Customers Priority,Honest Operation,and Considerate Service”,our business mainly focus on the distribution of electronic components. Line cards we deal with include Microchip,ALPS,ROHM,Xilinx,Pulse,ON,Everlight and Freescale. Main products comprise IC,Modules,Potentiometer,IC Socket,Relay,Connector.Our parts cover such applications as commercial,industrial, and automotives areas.

We are looking forward to setting up business relationship with you and hope to provide you with the best service and solution. Let us make a better world for our industry!



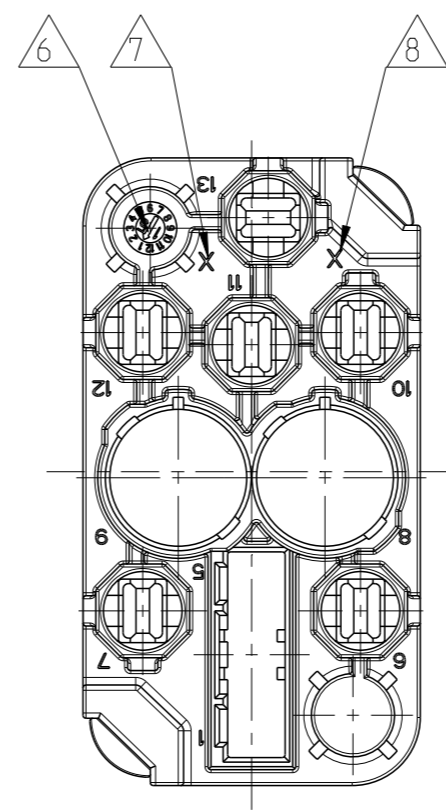
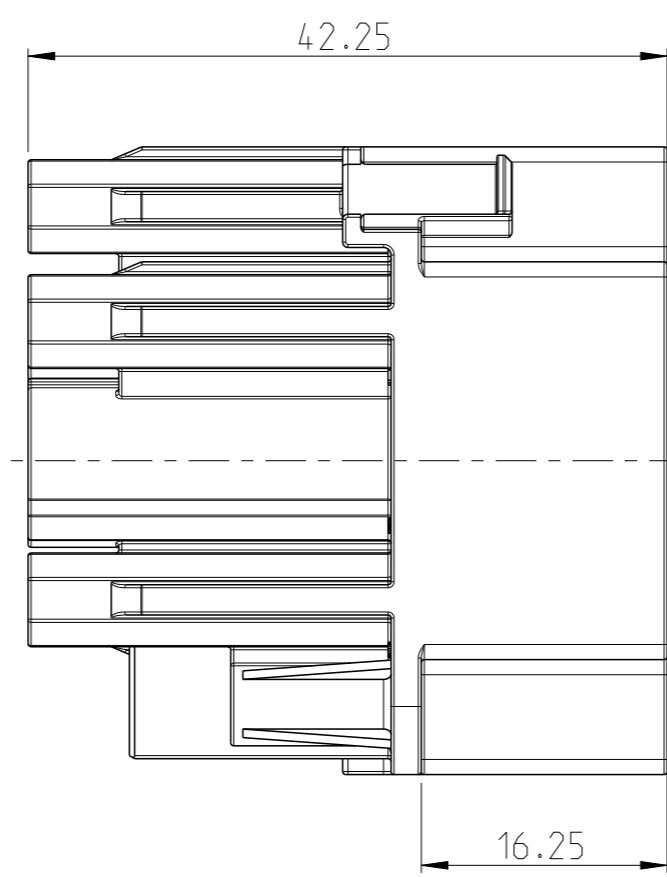
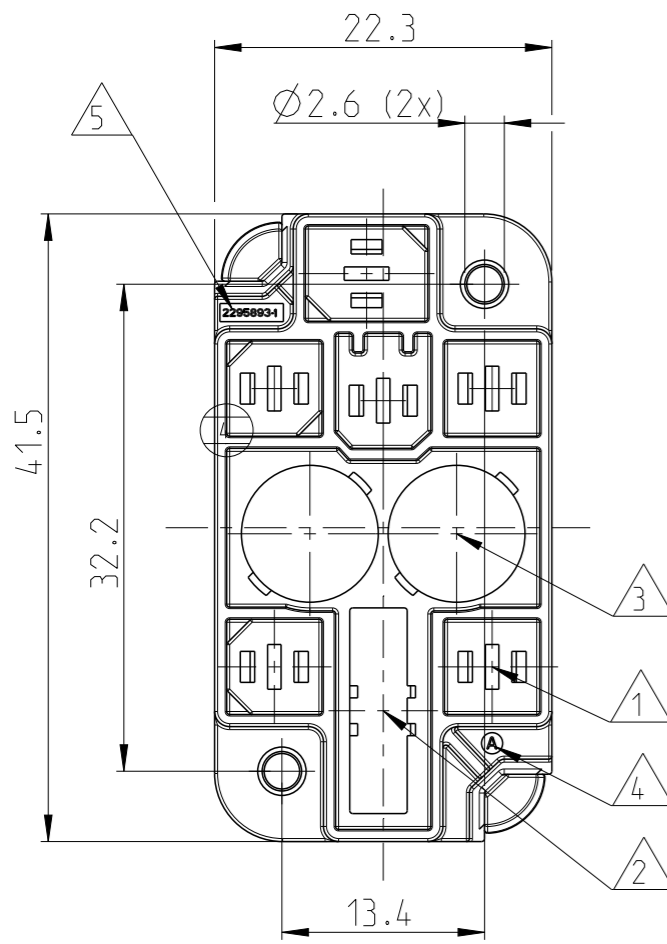
Contact us

Tel: +86-755-8981 8866 Fax: +86-755-8427 6832

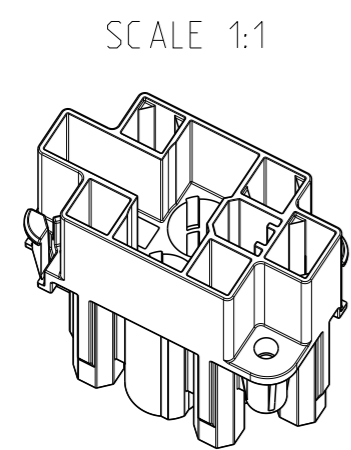
Email & Skype: info@chipsmall.com Web: www.chipsmall.com

Address: A1208, Overseas Decoration Building, #122 Zhenhua RD., Futian, Shenzhen, China





- 1 CAVITY FOR TAB CONTACT 2.8x0.8mm PN 2-2141598-2
- 2 CAVITY FOR SIGNAL HOUSING PN 2295894-1 FOR TAB CONTACT 1.2x0.6mm PN 1418758-3
- 3 CAVITY FOR ETHERNET CORE PN 1103426-1
- 4 CODING IDENTIFIER CUSTOMER SPECIFIED
- 5 TE PART NO.
- 6 PRODUCTION DATE CLOCK
- 7 CURRENT TE REVISION LETTER
- 8 MOLD CAVITY IDENTIFICATION NUMBER
- 9 PACKAGING: SINGLE PIECE PACKED IN A BUBBLE BAG. 10 BAGS OVERPACKED INTO ONE BIG BAG AND THEN PACKED IN A TE OR NEUTRAL PAPER BOX.



-1 AS SHOWN

TOLERANCING ISO 8015
 GEOMETRIC TOLERANCING ISO 1101
 SIZE ISO 14405
 GENERAL TOLERANCES ISO 2768-K

2295893-1	TAB HOUSING	BLACK	PBT-GF30
TE CONNECTIVITY ORDER NO.	DESCRIPTION	SURFACE	MATERIAL
		COLOUR	

DIESE ZEICHNUNG IST EIN KONTROLLIERTES DOKUMENT. BEMASSUNGEN UND TOLERANZEN GEMAESS GPS (ISO STANDARDS).	
THIS DRAWING IS A CONTROLLED DOCUMENT. DIMENSIONING AND TOLERANCING PER GPS (ISO STANDARDS).	
DIMENSIONS: MASSEINHEITEN: MM	TOLERANCES UNLESS OTHERWISE SPECIFIED: ALLGEMEINTOLERANZEN
	0 PLC ±0.1 1 PLC ±0.1 2 PLC ±0.1 3 PLC ± 4 PLC ± ANGLES/WINKEL ±1°
MATERIAL	FINISH/OBERFLAECHE/FARBE
-	-
-	-

DWN 30SEP2015 E.REISS		CHK 30SEP2015 KANG INGON		APVD 30SEP2015 ONDREJ DUSAN	
NAME		TAB HOUSING FLACHSTECKER GEHAEUSE			
SIZE	CAGE CODE	DRAWING NO. ZEICHNUNGS-NR.	RESTRICTED TO NUR FUER		
A3	00779	©=2295893	-		
Customer Drawing		/KUNDENZEICHNUNG	SCALE MASSSTAB 2:1	SHEET BLATT 1 OF 1	REV A1