



Chipsmall Limited consists of a professional team with an average of over 10 year of expertise in the distribution of electronic components. Based in Hongkong, we have already established firm and mutual-benefit business relationships with customers from,Europe,America and south Asia,supplying obsolete and hard-to-find components to meet their specific needs.

With the principle of “Quality Parts,Customers Priority,Honest Operation,and Considerate Service”,our business mainly focus on the distribution of electronic components. Line cards we deal with include Microchip,ALPS,ROHM,Xilinx,Pulse,ON,Everlight and Freescale. Main products comprise IC,Modules,Potentiometer,IC Socket,Relay,Connector.Our parts cover such applications as commercial,industrial, and automotives areas.

We are looking forward to setting up business relationship with you and hope to provide you with the best service and solution. Let us make a better world for our industry!



Contact us

Tel: +86-755-8981 8866 Fax: +86-755-8427 6832

Email & Skype: info@chipsmall.com Web: www.chipsmall.com

Address: A1208, Overseas Decoration Building, #122 Zhenhua RD., Futian, Shenzhen, China



VARIOFACE System Connection for PLC-INTERFACE PLC-V8/... and PLC-V8L/...

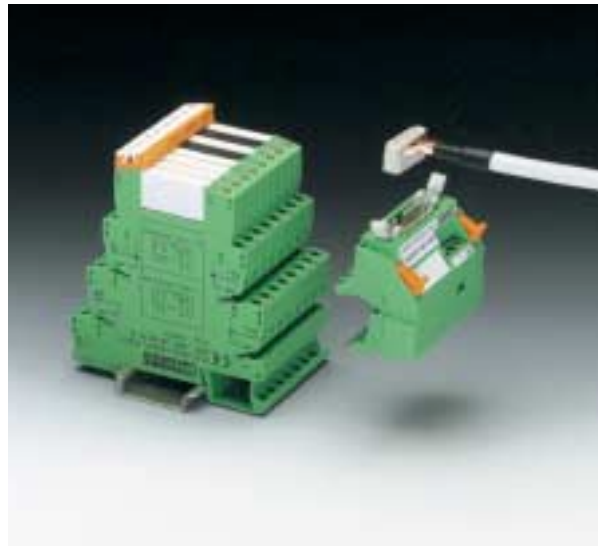
1. Brief Description

PLC-V8/FLK14/... are new VARIOFACE adapters, which connect the PLC-INTERFACE with the VARIOFACE system cabling. The PLC-V8 adapter is simply inserted in the jumper slots of eight PLC-INTERFACE modules mounted side by side. No additional tools are required. This results in an 8-channel relay or optocoupler module with a width of less than 50 mm (1.969 in.). The insertion of electromechanical or solid-state relays can be freely selected for each channel.

The various adapters for input/output functions can be recognized by their designations, which end with IN or OUT. Adapters with universal 15-pos. D-SUB connections are available with the **PLC-V8/D15....**

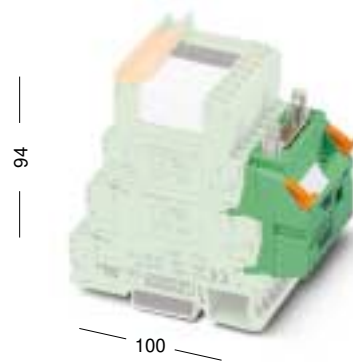
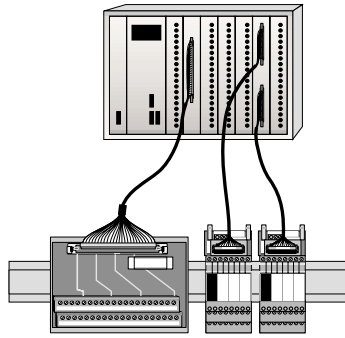
PLC-V8L/... adapters connect the PLC-INTERFACE 14 mm (0.551 in.) series (two Form C contacts, versions for high inrush current (IC), and high continuous current (HC)) with the VARIOFACE system cabling.

The **cross list** on this page enables the quick and precise selection of the appropriate adapter for the selected PLC-INTERFACE.



Cross list PLC-V8...	Adapter PLC-V8/.../ IN	Adapter PLC-V8/.../ OUT	Cross list PLC-V8L...	Adapter PLC-V8L/.../ OUT
PLC-INTERFACE			PLC-INTERFACE	
PLC-R...-12DC/21AU	•		PLC-RSC-24DC/21/21	•
PLC-R...-24DC/21AU	•	•	PLC-RSC-24UC/21/21	•
PLC-R...-24UC/21AU	•	•	PLC-RSC-24DC/21/21AU	•
PLC-R...-48DC/21AU	•		PLC-RSC-24UC/21/21AU	•
PLC-R...-60DC/21AU	•			
PLC-R...-120UC/21AU	•		PLC-RSC-24DC/1-1/ACT	•
PLC-R...-230UC/21AU	•		PLC-RSC-24DC/1IC/ACT	•
PLC-R...-24DC/21		•	PLC-RSC-24DC/HC	•
PLC-R...-24UC/21		•		
PLC-O...-24DC/48DC/100	•	•		
PLC-O...-48DC/48DC/100	•			
PLC-O...-60DC/48DC/100	•			
PLC-O...-120UC/48DC/100	•			
PLC-O...-230UC/48DC/100	•			
PLC-O...-24DC/24DC/2		•		
PLC-O...-24DC/230AC/1		•		
PLC-R...-24DC/1ACT		•		
PLC-O...-24DC/24DC/2/ACT		•		
PLC-OSC-24DC/230AC/1/ACT		•		
PLC-R...-24DC/1AU/SEN	•			
PLC-R...-120UC/1AU/SEN	•			
PLC-R...-230UC/1AU/SEN	•			
PLC-O...-24DC/48DC/100/SEN	•			
PLC-O...-120UC/48DC/100/SEN	•			
PLC-O...-230UC/48DC/100/SEN	•			
PLC-VT	•	•		
PLC-VT/LA	•	•		
PLC-VT/AKT		•		
PLC-VT/AKT/LA		•		

2. Technical Data



PLC-V8/FLK14/...

VARIOFACE adapter for 6.2 mm (0.244 in.) PLC-INTERFACE

Housing width 49.6 mm (1.953 in.)



	solid [mm ²]	flexible AWG
Connection data	0.2 - 4	0.2 - 2.5 24 - 12

Description

VARIOFACE output adapter, for 8 PLC interfaces, with 14-pos. flat-ribbon cable connection, for PLC system cabling

VARIOFACE input adapter, for 8 PLC interfaces, with 14-pos. flat-ribbon cable connection, for PLC system cabling

Type

PLC-V8/FLK14/OUT

Order No.

22 95 55 4

Pcs. Pkt.

1

PLC-V8/FLK14/IN

22 96 55 3

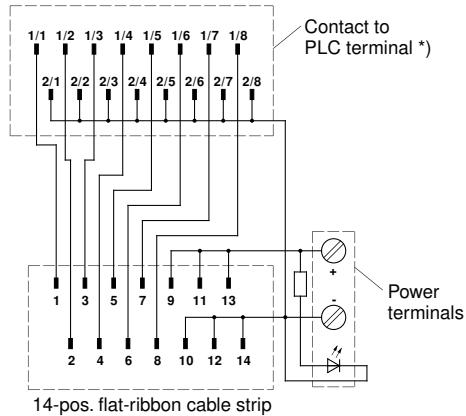
1

Technical Data

Operating voltage
 Maximum permissible current: Per signal path
 Voltage supply
 Ambient operating temperature range
 Test voltage
 Connection type: Signal level
 Standards/specifications Voltage supply

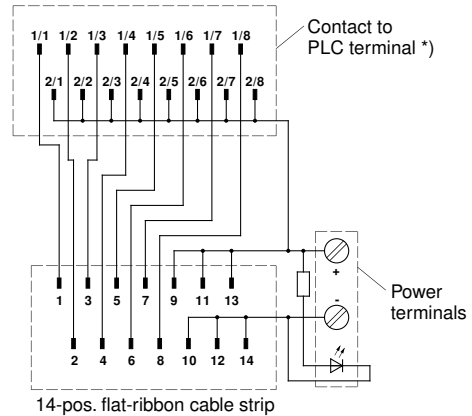
24 V DC ±10%
 1 A
 3 A
 -20°C to +60°C (-4°F to +140°F)
 0.5 kV AC (60 s)
 14-pos. flat-ribbon cable male connector according to IEC 603-1/DIN 41 651
 Screw-cage connection 0.2 - 2.5 mm² (24 - 12 AWG)
 IEC 664 (1980)/IEC 664A (1981)
 DIN VDE 0110/(1.89)
 Degree of pollution 2
 Surge Voltage Category III

Connection diagram for the PLC-V8/FLK14/OUT



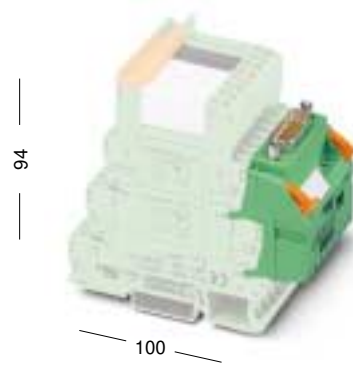
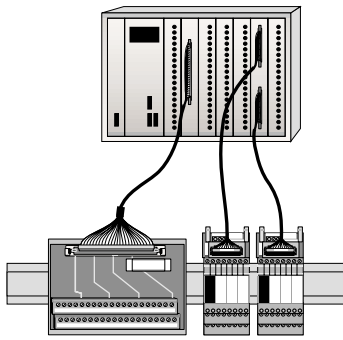
*) See last page

Connection diagram for the PLC-V8/FLK14/IN



*) See last page

VARIOFACE System Connection for PLC-INTERFACE (6.2 mm [0.244 in.] – PLC-V8/...



PLC-V8/D15...

VARIOFACE adapter for 6.2 mm (0.244 in.) PLC-INTERFACE

Housing width 49.6 mm (1.953 in.)

	solid [mm ²]	flexible AWG
Connection data	0.2 - 4	0.2 - 2.5 24 - 12

Description

VARIOFACE output adapter , for 8 PLC interfaces, with 15-pos. D-SUB connection	Male connector Female connector
VARIOFACE input adapter , for 8 PLC interfaces, with 15-pos. D-SUB connection	Male connector Female connector

Type

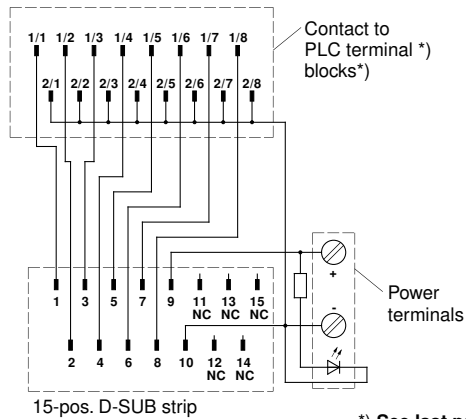
Type	Order No.	Pcs. Pkt.
PLC-V8/D15S/OUT	22 96 05 8	1
PLC-V8/D15B/OUT	22 96 06 1	1
PLC-V8/D15S/IN	22 96 07 4	1
PLC-V8/D15B/IN	22 96 08 7	1

Technical Data

Operating voltage	
Maximum permissible current:	Per signal path Voltage supply
Ambient operating temperature range	
Test voltage	
Connection type:	Signal level Voltage supply
Standards/specifications	

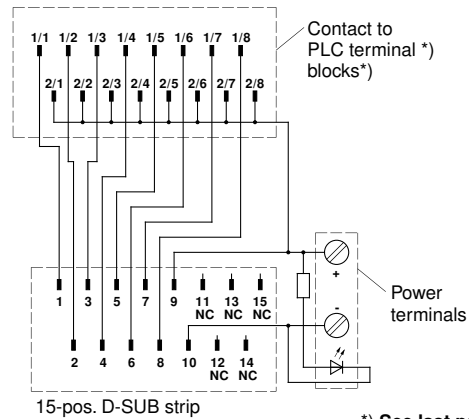
24 V DC ±10%
1 A
3 A
-20°C to +60°C (-4°F to +140°F)
0.5 kV AC (60 s)
15-pos. D-SUB male connector according to IEC 807-2/DIN 41.652
Screw-cage connection 0.2 - 2.5 mm ² (24 - 12 AWG)
IEC 664 (1980)/IEC 664A (1981)
DIN VDE 0110/(1.89)
Degree of pollution 2
Surge Voltage Category III

**Connection diagram for the PLC-V8/D15S/OUT
PLC-V8/D15B/OUT**



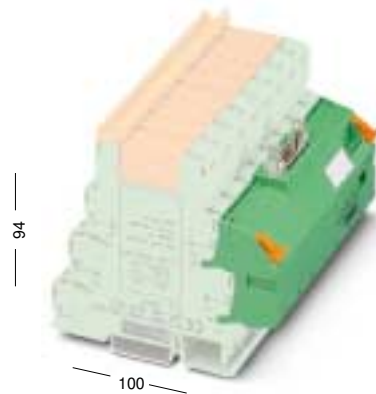
*) See last page

**Connection diagram for the PLC-V8/D15S/IN
PLC-V8/D15B/IN**



*) See last page

VARIOFACE System Connection for PLC-INTERFACE (14 mm [0.551 in.]) – PLC-V8L/...



PLC-V8L/FLK14/OUT

VARIOFACE adapter for 14 mm (0.551 in.) PLC-INTERFACE

Housing width 112.3 mm (4.421 in.)

	solid [mm ²]	flexible	AWG
Connection data	0.2 - 4	0.2 - 2.5	24 - 12

Description

VARIOFACE output adapter, for 8 PLC interfaces (14 mm [0.551 in.]), with 14-pos. flat-ribbon cable connection, for PLC system cabling

Technical Data

Operating voltage		
Maximum permissible current:		Per signal path Voltage supply
Ambient operating temperature range		
Test voltage		
Connection type:		Signal level
		Voltage supply
Standards/specifications		

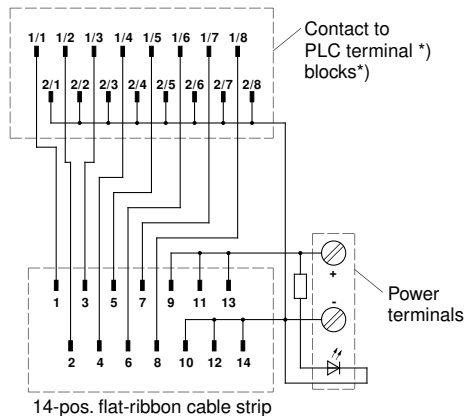
Type

PLC-V8L/FLK14/OUT

Order No.	Pcs. Pkt.
22 99 66 0	1

24 V DC $\pm 10\%$
 1 A
 3 A
 -20°C to +50°C (-4°F to +122°F)
 0.5 kV AC (60 s)
 14-pos. flat-ribbon cable male connector according to IEC 603-1/DIN 41 651
 Screw-cage connection 0.2 - 2.5 mm² (24 - 12 AWG)
 IEC 664 (1980)/IEC 664A (1981)
 DIN VDE 0110/(1.89)
 Degree of pollution 2
 Surge Voltage Category III

Connection diagram for the PLC-V8L/FLK14/OUT



*) 1/1; 1/2; 1/3; ... 1/8 \cong Lower jumper level of PLC-INTERFACE
 2/1; 2/2; 2/3; ... 2/8 \cong Upper jumper level of PLC-INTERFACE